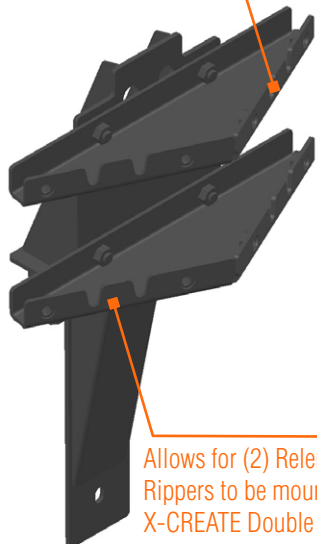
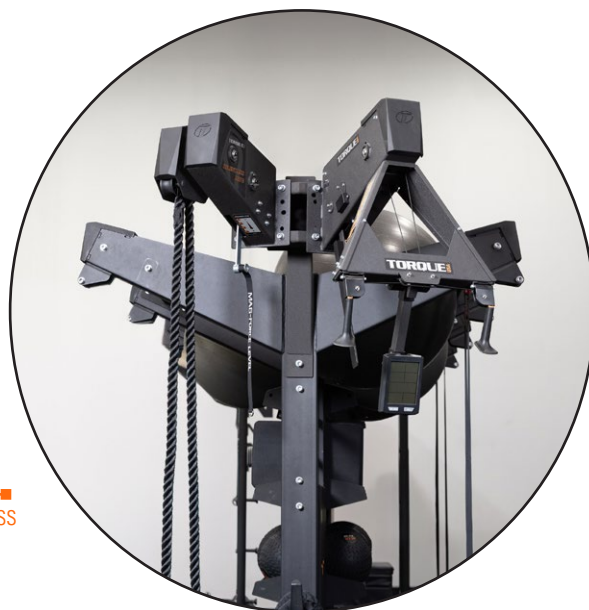


Slotted for effortless attachment of Relentless Rope or Ripper

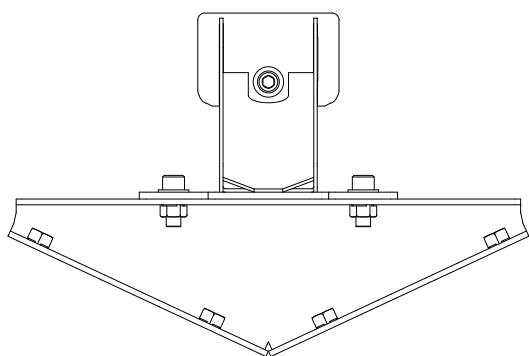


Allows for (2) Relentless Ropes or Relentless Rippers to be mounted to the end of an X-CREATE Double Sided Upright



Model number	XCREATE-SAM-DUW
Dimensions	11.8" x 17.9" x 27.2" (30.0 cm x 45.5 x 69.0 cm)
Weight	30.0 lb (13.6 kg)
Compatibility	X-Create

TOP VIEW



NOTE

- Can be used in other mounting situations without XCREATE-SAM but does not contain the required hardware. Required hardware is included with XERT or XRR-SKI.