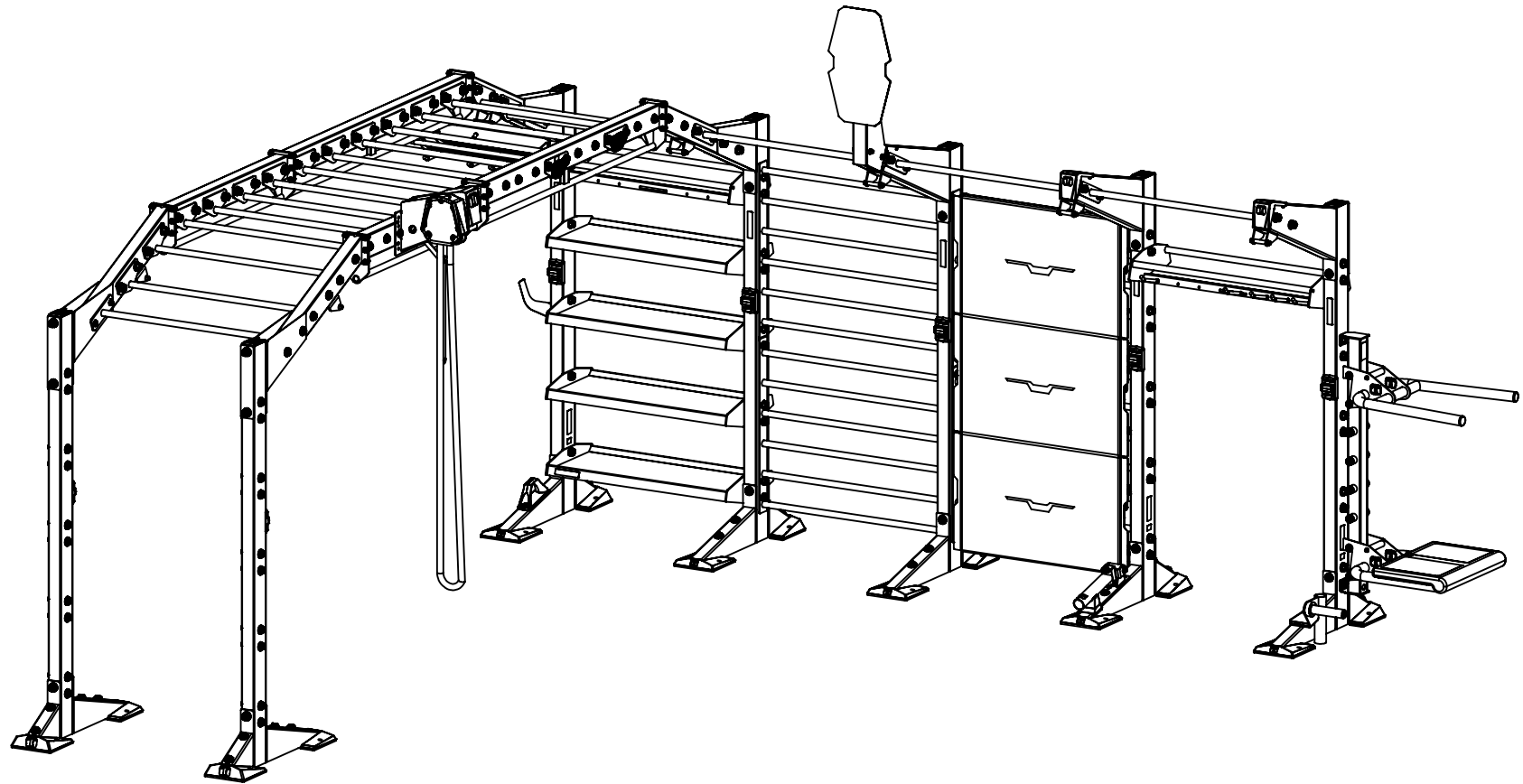


XCREATE BRIDGE SPACE ASSEMBLY GUIDE

VERSION: XCBS

PART #: 5844101-E



TORQUE USA

TABLE OF CONTENTS

1. OVERVIEW AND TOOLS REQUIRED: **PAGE 3**
2. UPRIGHT ASSEMBLY: **PAGES 4-7**
3. HARDWARE COVER FINISH KIT: **PAGE 8**
4. BRIDGE ASSEMBLY: **PAGES 9-11**
5. ONE MOD ASSEMBLY: **PAGE 12**
6. CABLE MODULES AND SMITH MODULE: **PAGE 16**
7. MODULE ASSEMBLY
 - 8' UPRIGHT MODULE EXTENSION: **PAGES 17-18**
 - 4'/6' ACCESSORY STORAGE MODULE: **PAGES 19-20**
 - 4'/6' UNIVERSAL BALL & HANGING STORAGE MODULE: **PAGES 21-22**
 - 4' STALL BAR MODULE: **PAGES 23-24**
 - 4' BALL TARGET WALL MODULE: **PAGES 25-28**
 - 8' OLYMPIC LIFTING STATION MODULE: **PAGES 29-33**
 - 4' ACCESSORY & BUMPER BOOKSHELF STORAGE MODULE: **PAGES 34-35**
 - 4' TANK DOCKING MODULE: **PAGES 36-389**
 - 4' X 5 BARBELL STORAGE MODULE: **PAGES 40-42**
 - 4' X 10 BARBELL STORAGE MODULE: **PAGES 43-46**
 - 4' 2 SIDED X 10 BARBELL STORAGE MODULE: **PAGES 47-51**
 - 4' 2 SIDED X 20 BARBELL STORAGE MODULE: **PAGES 52-55**
 - 4' MONITOR MOUNT & STORAGE MODULE: **PAGES 56-59**
 - 4' CUSTOM SIGN AND HANGING STORAGE: **PAGES 60-61**
 - 2.5' BALL AND HANGING STORAGE: **PAGES 62-63**
 - 6' RECTANGLE CROSS MODULE: **PAGES 64-65**
 - 4' HEAVY BAG MODULE: **PAGES 66-67**
 - ACCESSORY PEGS & MAT STORAGE PINS: **PAGE 68**
 - ACCESSORY TRAY LABELS: **PAGES 69**
8. ATTACHMENT ASSEMBLY
 - BALL & HANGING STORAGE EXTENSION: **PAGE 74**
 - BATTLE ROPE ANCHOR: **PAGE 75**
 - HANGING STORAGE HOOK: **PAGE 76**
 - DOUBLE PLAY: **PAGE 77**
 - HORIZONTAL MOUNT GROUND ROTATIONAL TRAINER: **PAGE 78**
 - 3-DIMENSIONAL SWIVEL: **PAGES 79-80**
 - BALL TARGET: **PAGES 81-83**
 - RESISTANCE BAND ANCHOR: **PAGE 84**
 - VERTICAL DUMBBELL RACK: **PAGE 85**
 - 4' MULTI GRIP CROSS: **PAGE 86**
 - 4' SINGLE SIDE HORIZONTAL WEIGHT STORAGE: **PAGE 87**
 - TOP BOOM EXTENSION: **PAGES 88-91**
 - 3-DIMENSIONAL SWIVEL (BRIDGE): **PAGE 92**
6. ATTACHMENT ASSEMBLY CONTINUED
 - ROCK CLIMBING KIT: **PAGE 93**
 - ATTACHMENT ANCHOR: **PAGE 94**
 - DIP ATTACHMENT: **PAGE 95**
 - PLYO STEP: **PAGE 96**
 - ATTACHMENT EXTENSION: **PAGES 97-98**
 - ATTACHMENT EXTENSION & 3 DIMENSIONAL SWIVEL W/MOUNT: **PAGE 99**
 - RELENTLESS ROPE TRAINER (UPRIGHT): **PAGES 100-101**
 - BOOM MOUNT: **PAGES 102-103**
 - RELENTLESS ROPE & RIPPER BOOM MOUNT: **PAGES 104-105**
 - RELENTLESS ROPE BRIDGE MOUNT: **PAGES 106-107**
 - RELENTLESS RIPPER BRIDGE MOUNT: **PAGES 108**
 - SIDE ATTACHMENT MOUNT: **PAGE 109**
 - 6RX ATTACHMENTS: **PAGES 110-111**
 - 4' COUNTERWEIGHT SUPPORT: **PAGES 112-114**
 - 6' COUNTERWEIGHT SUPPORT: **PAGES 115-119**
 - OUTRIGGER: **PAGES 120-121**
 - BOSU STORAGE ATTACHMENT: **PAGE 122**
 - FOAM ROLLER STORAGE ATTACHMENT: **PAGE 123-124**
 - BRIDGE BALL TARGET: **PAGE 125-126**
 - STALL BAR DIP ATTACHMENT: **PAGE 127**
 - BAR CATCH STORAGE ATTACHMENT: **PAGE 128-129**
 - SUSPENSION CLIP: **PAGE 130**
 - CHANGE PLATE WEIGHT HORN: **PAGE 131**
 - XCREATE-GRT / XCREATE-TP: **PAGE 132**
 - XCREATE-GRTPS / XCREATE-TP: **PAGE 133**
 - XCREATE-GRTBS / XCREATE-TP: **PAGE 134**
 - XCREATE-4OSB: **PAGE 135**
7. ANCHORING: **PAGE 136**
8. URETHANE BOOTS: **PAGE 137**

WARNING!

ALL X-CREATE ARE REQUIRED TO BE ANCHORED TO THE FLOOR TO PREVENT ROCKING OR TIPPING DURING USE.

OVERVIEW AND TOOLS REQUIRED

X-CREATE Bridge Space Systems can be customized in countless ways. This manual provides instructions for assembling base units, module options and attachment options.

Not all modules or attachments are detailed in this assembly guide. For further instruction on these, reference the individual guide for the module being installed.

If you worked with Torque X-Team Design during the purchasing process, please request a Bill of Material Drawing to reference your exact set-up. For assistance, contact www.sales@torquefitness.com or call (763) 754-7533

NOTE:

When assembling any X-CREATE System that is longer than one module wide, the hardware will be shared between two side by side modules and pull-up bars. It is recommended to keep all bolt connections loose until the base system and all of the module stations have been assembled. Securely tighten all frame connections at this time, and then proceed to the attachment options. Attachment options can be securely tightened as they are assembled.

For the purpose of illustration, the 8U is shown in this assembly guide. The 7U can be assembled the exact same way where specified in the notes.

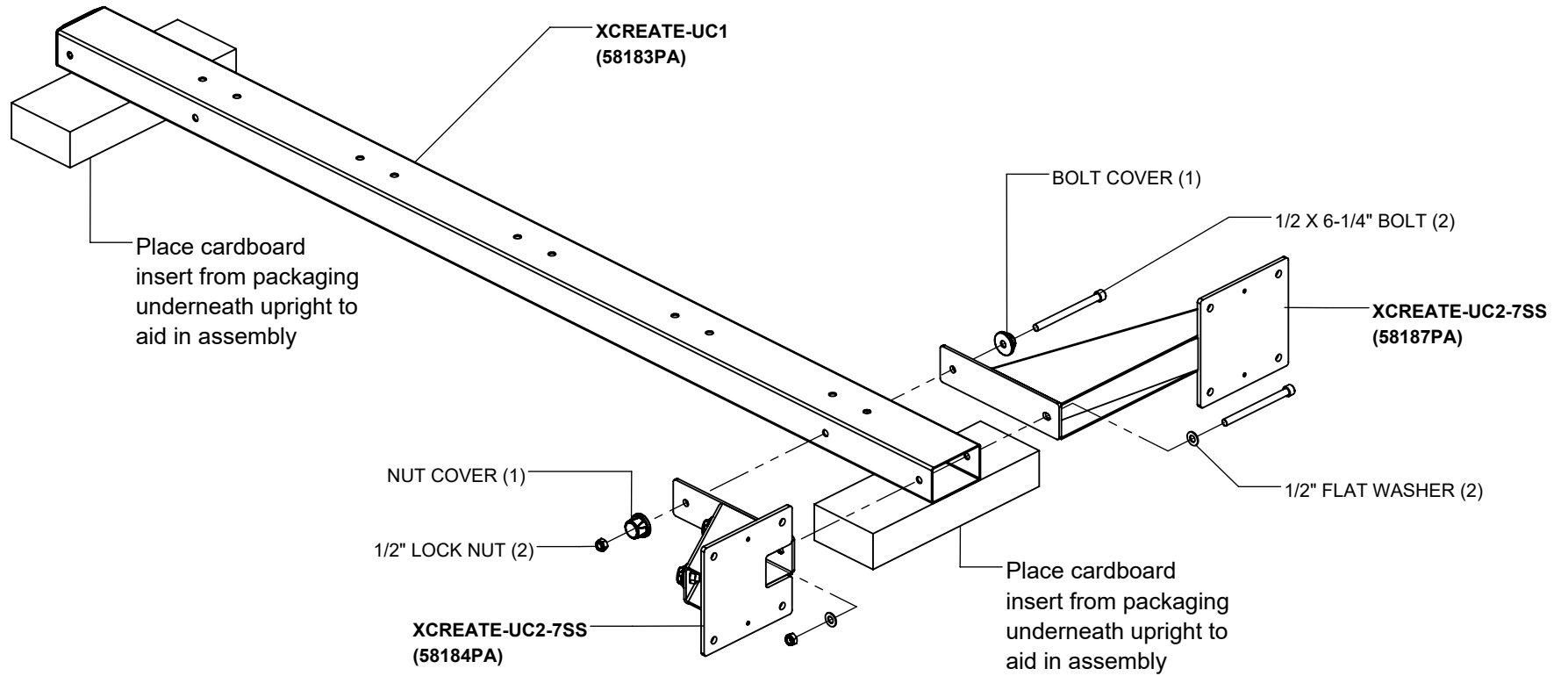
TOOLS FOR ASSEMBLY:

- 3/8" ALLEN WRENCH
- 5/16" ALLEN WRENCH
- 3/16" ALLEN WRENCH
- 3/4" WRENCH OR SOCKET
- 9/16" WRENCH OR SOCKET
- 1/2" WRENCH OR SOCKET
- RUBBER MALLETT

WARNING!

ALL X-CREATE ARE REQUIRED TO BE ANCHORED TO THE FLOOR TO PREVENT ROCKING OR TIPPING DURING USE.

XCREATE-U-7SS ASSEMBLY

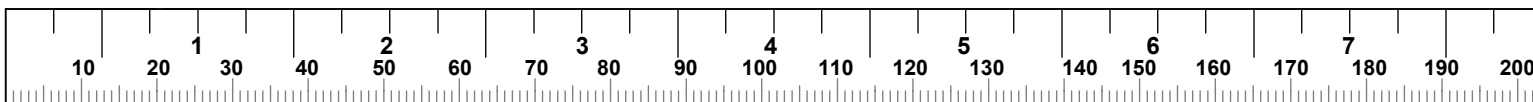


NOTES:

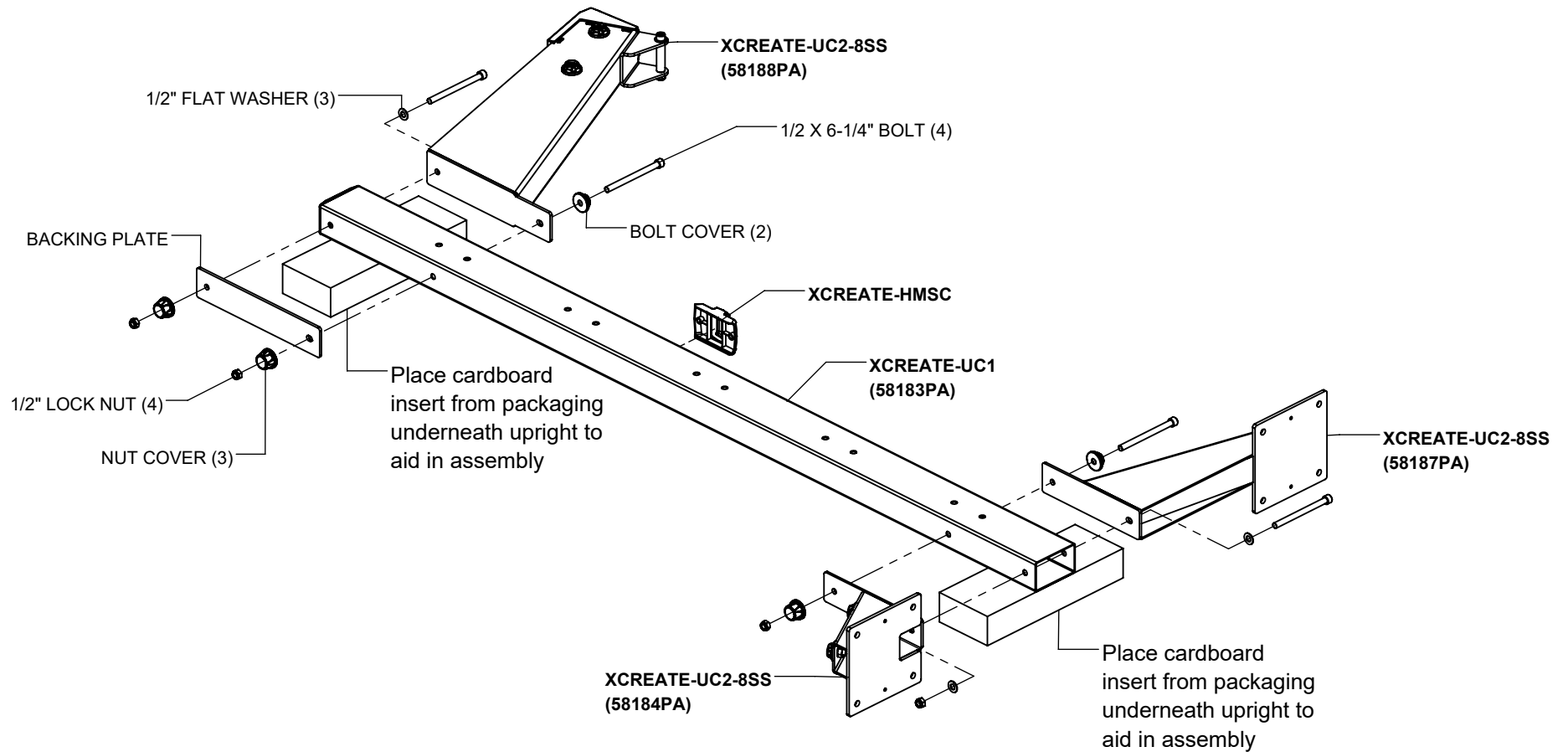
This step requires two people to assemble. Please get help.

Assemble the UPRIGHT on the floor.

Assemble all parts together first, then **SECURELY** tighten all bolt connections.



XCREATE-U-8SS ASSEMBLY

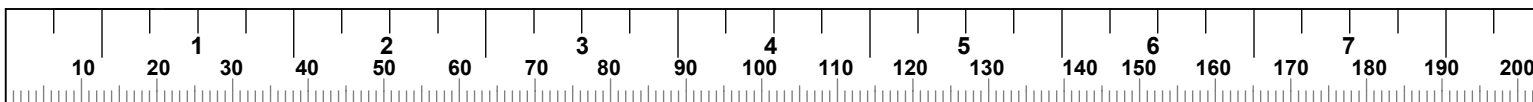


NOTES:

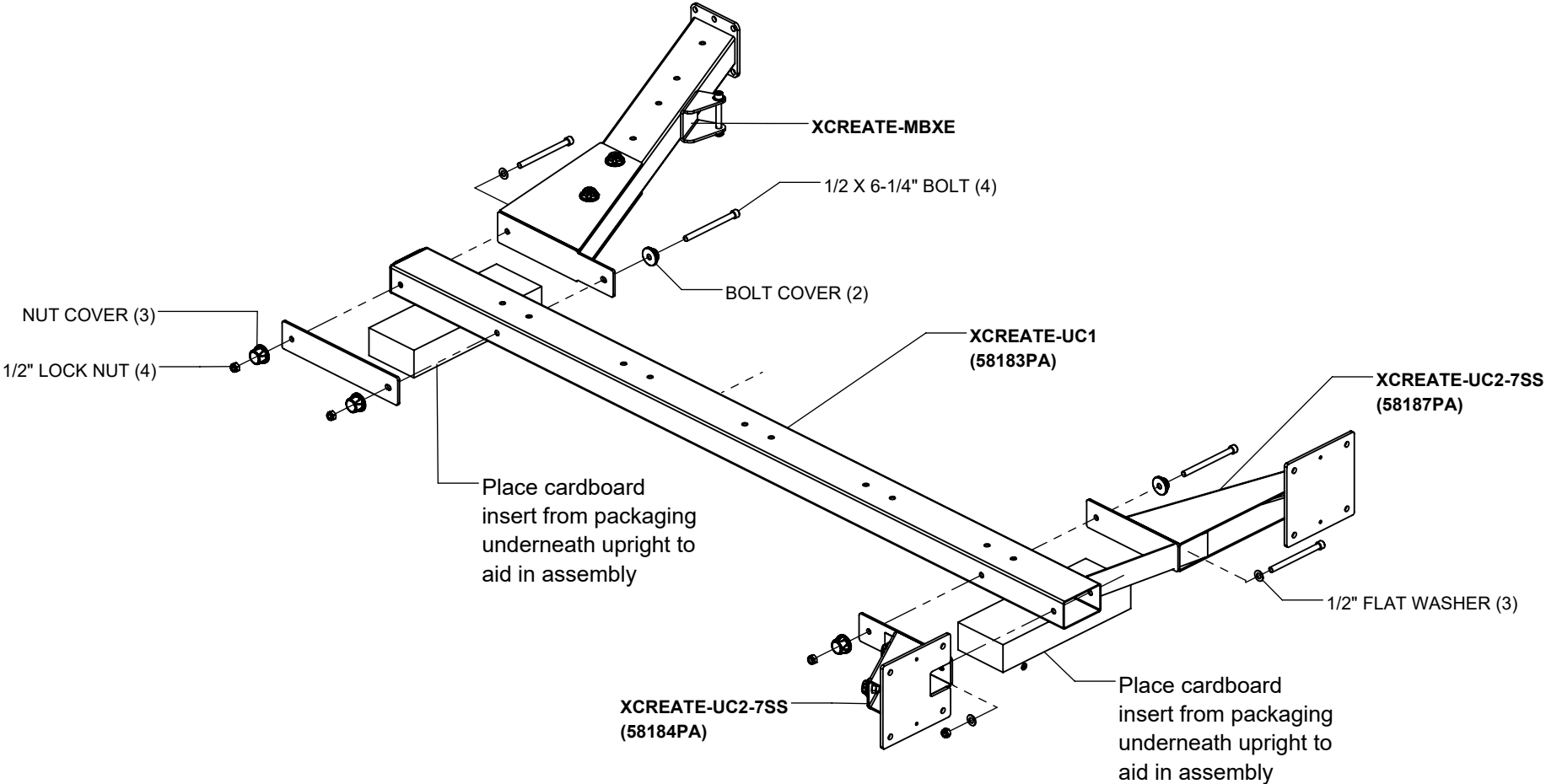
This step requires two people to assemble. Please get help.

Assemble the UPRIGHT on the floor.

Assemble all parts together first, then **SECURELY** tighten all bolt connections.



XCREATE SINGLE SIDED MBXE ASSEMBLY

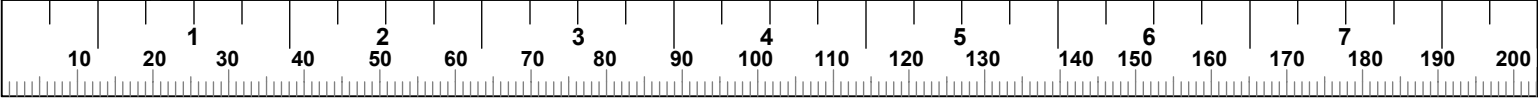


NOTES:

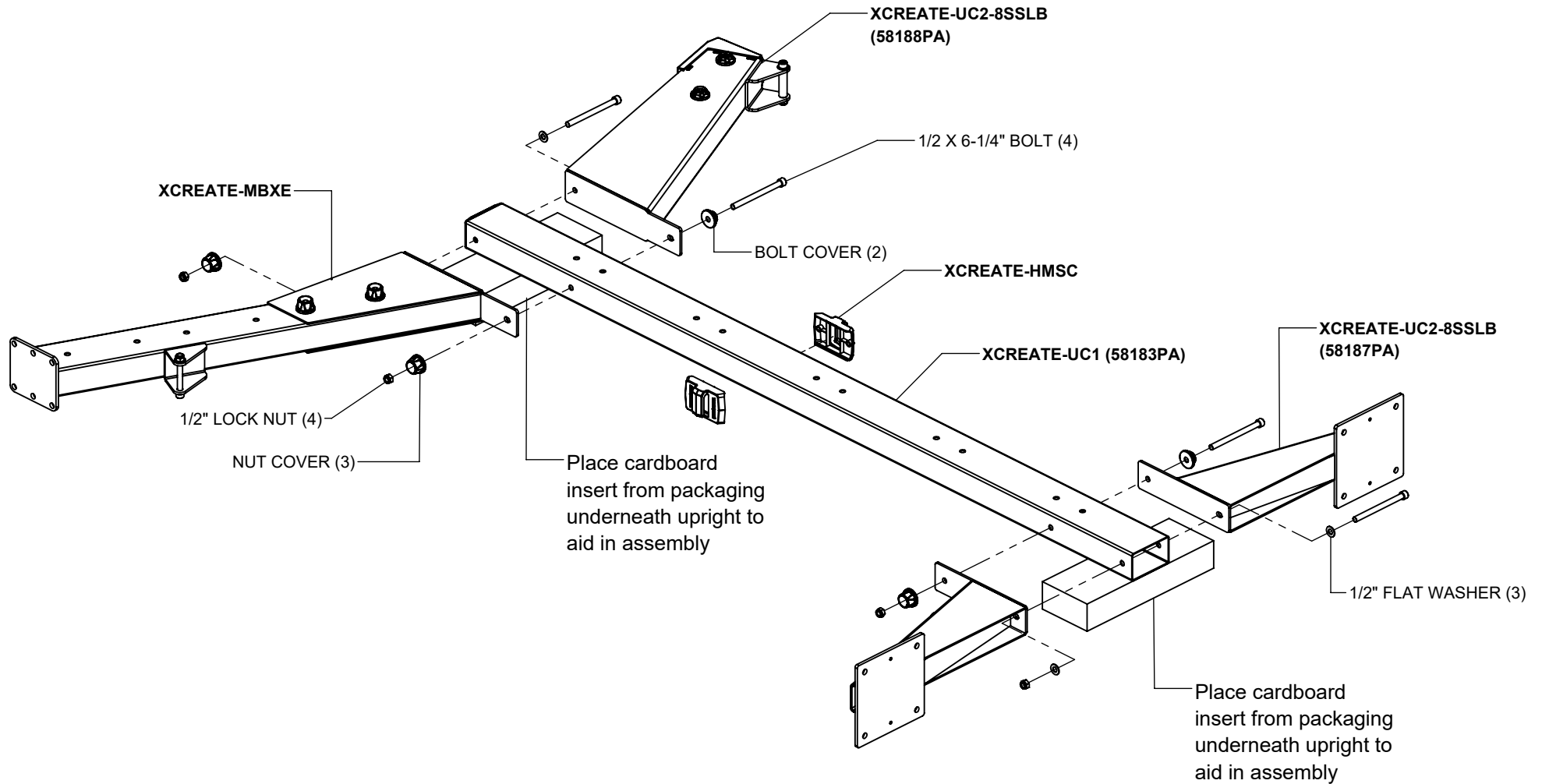
This step requires two people to assemble. Please get help.

Assemble the UPRIGHT on the floor.

Assemble all parts together first, then **SECURELY** tighten all bolt connections.



XCREATE 2 SIDED MBXE ASSEMBLY

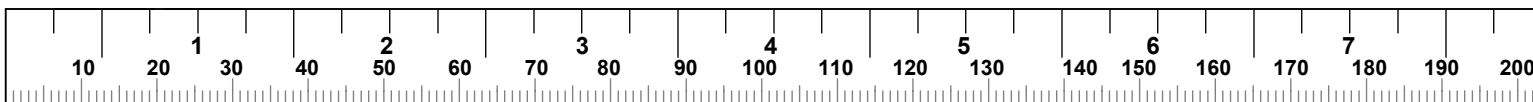


NOTES:

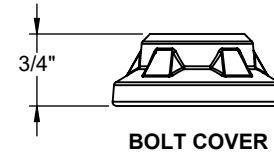
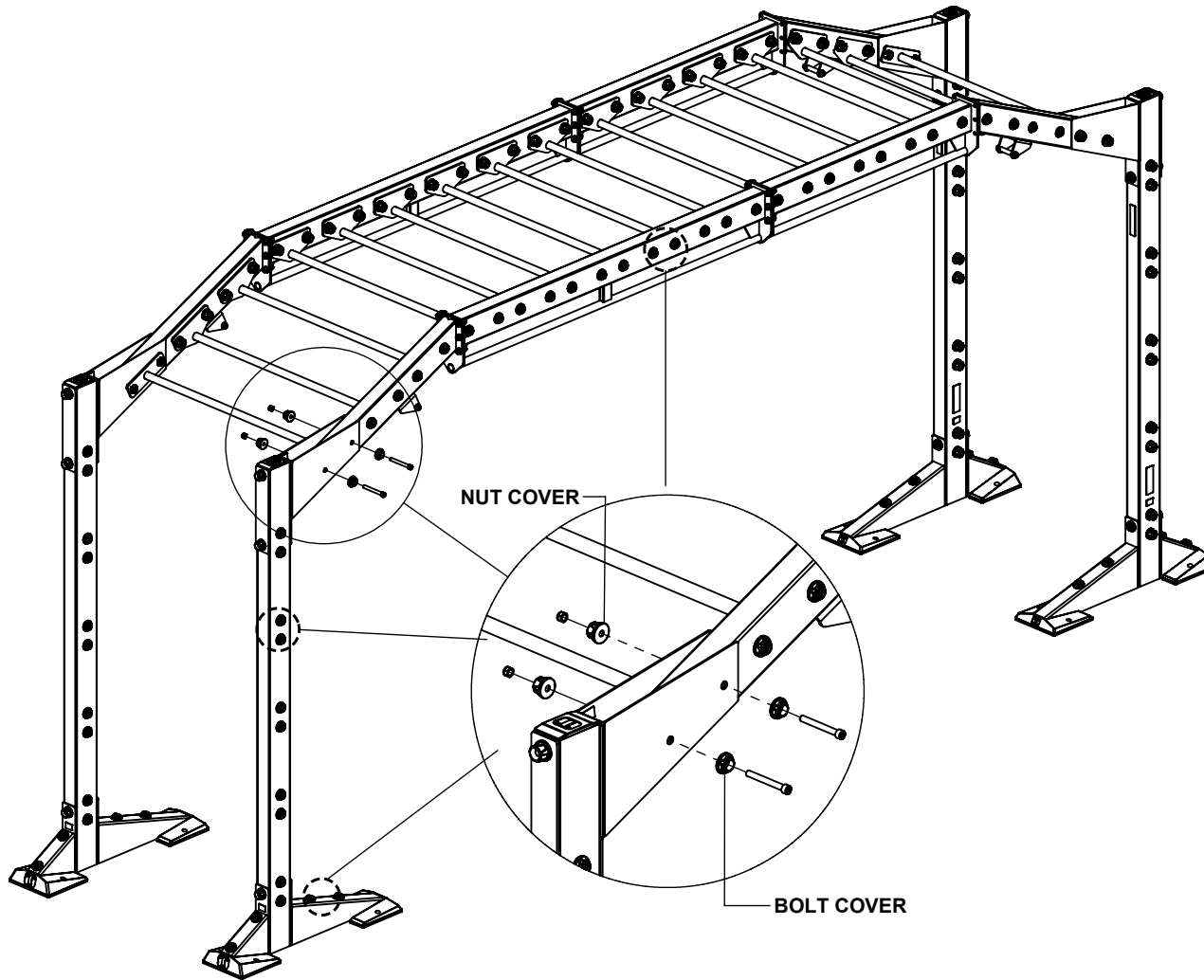
This step requires two people to assemble. Please get help.

Assemble the UPRIGHT on the floor.

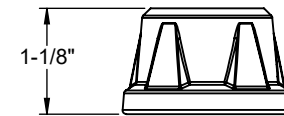
Assemble all parts together first, then **SECURELY** tighten all bolt connections.



**XHCFK
HARDWARE COVER FINISH KIT**



BOLT COVER



NUT COVER

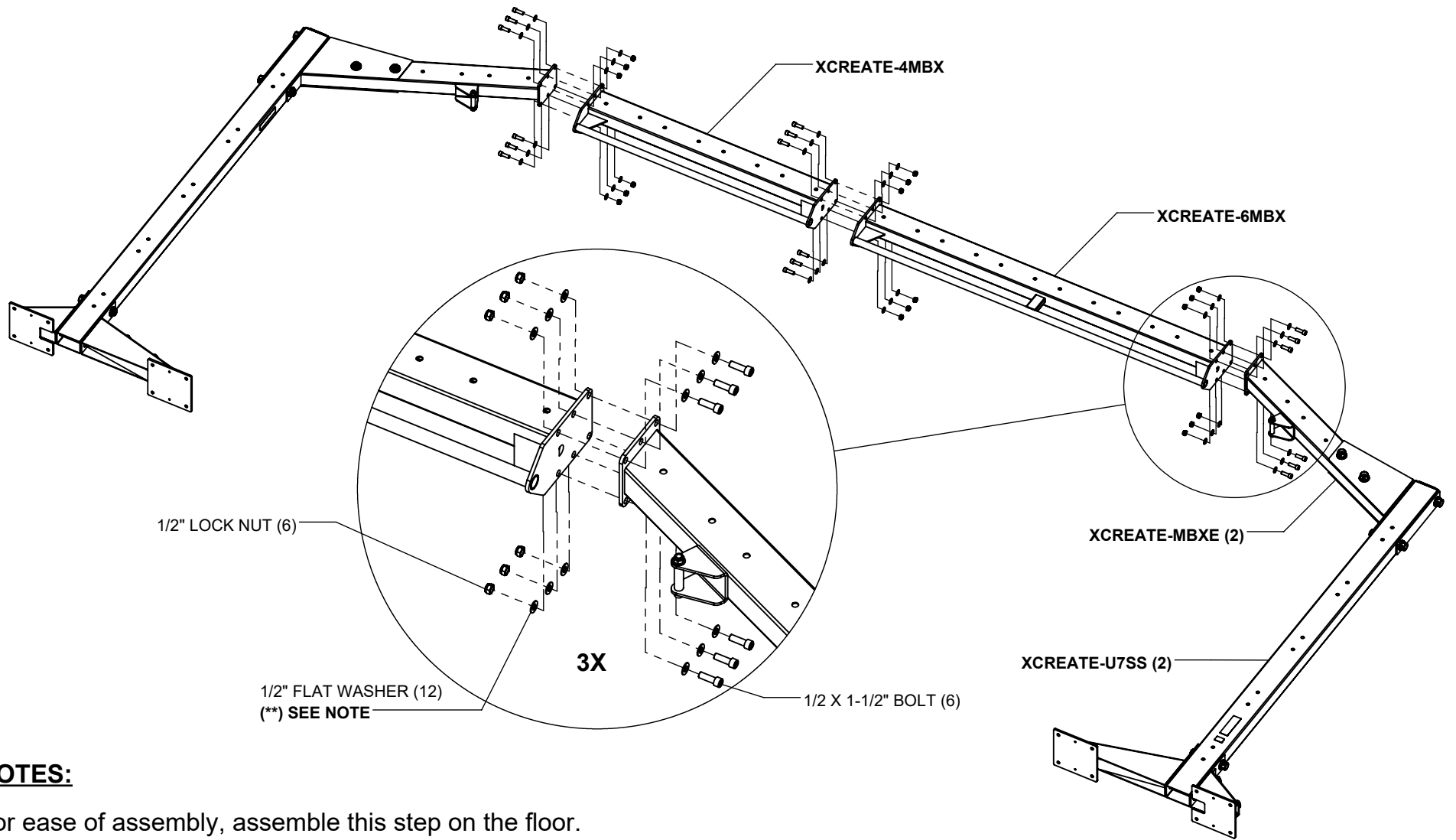
IF YOU PURCHASED THE HARDWARE COVER FINISH KIT, THEN USE THE BOLT AND NUT COVERS IN PLACE OF FLAT WASHERS WHER EVER POSSIBLE.

NOTE:
3/4" SOCKET IS REQUIRED FOR ASSEMBLY.
DISCARD UNUSED WASHERS.

IMPORTANT NOTICE ABOUT HARDWARE COVERS:

The bolt and nut covers are primarily used on uprights and monkey bars connections and will not fit all assembly applications. In this case, use the flat washers included with the product.

BRIDGE ASSEMBLY



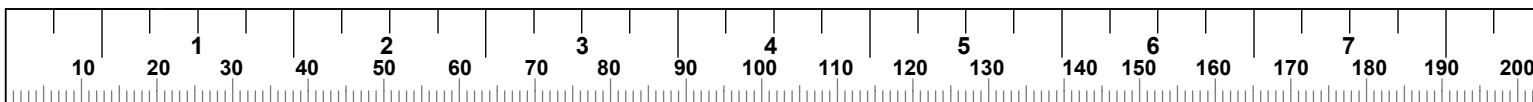
NOTES:

For ease of assembly, assemble this step on the floor.

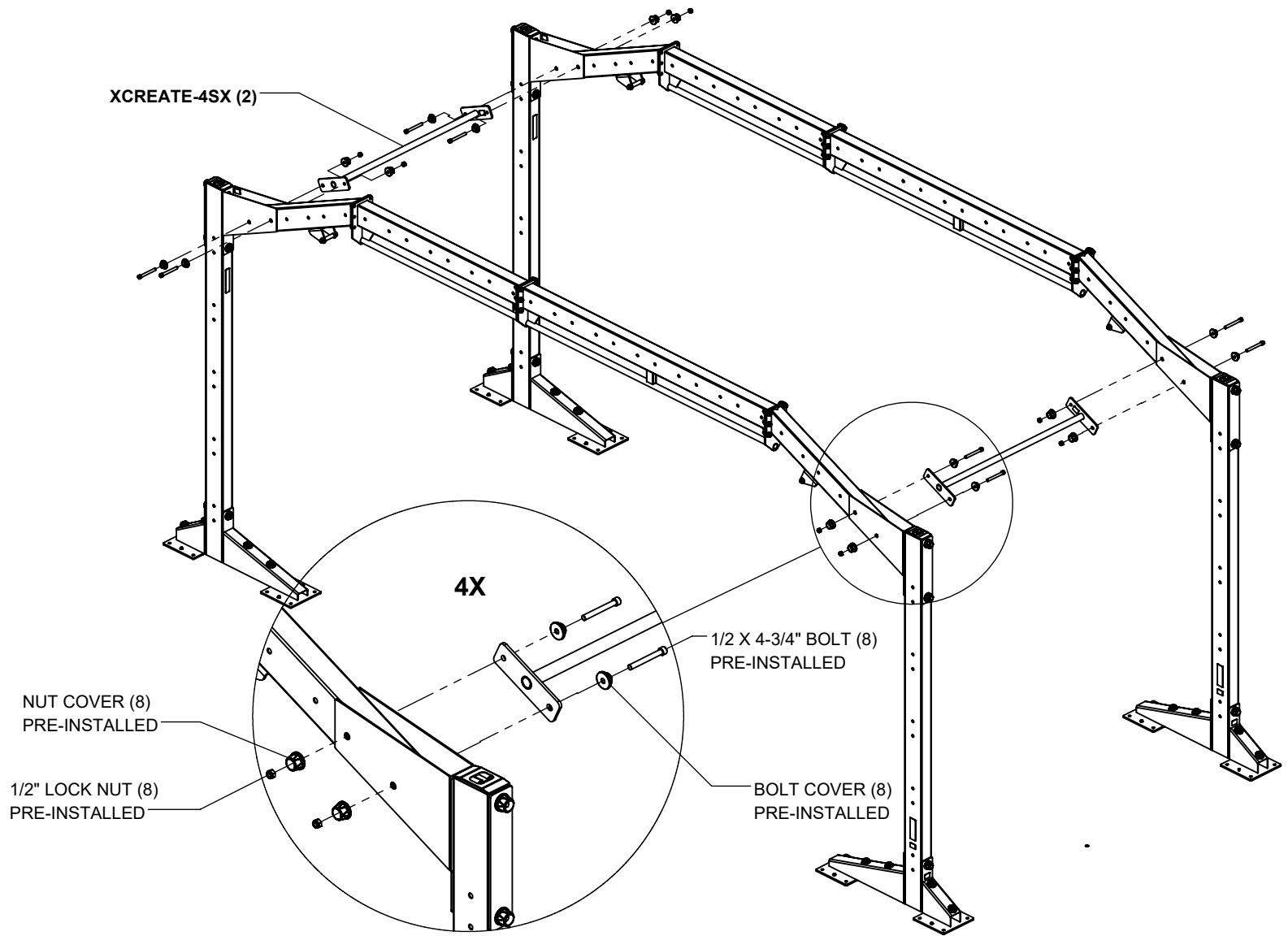
(**) **HARDWARE COVERS CANNOT** be used in this step.

LOOSELY assemble bolt connections in this step.

Repeat this step for the opposite side.



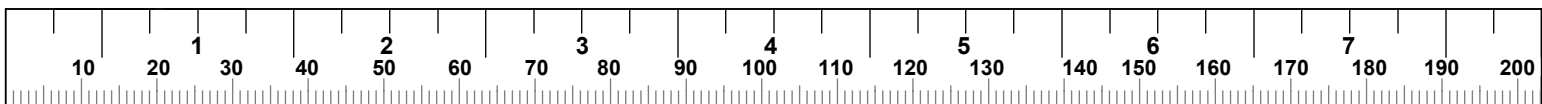
BRIDGE ASSEMBLY



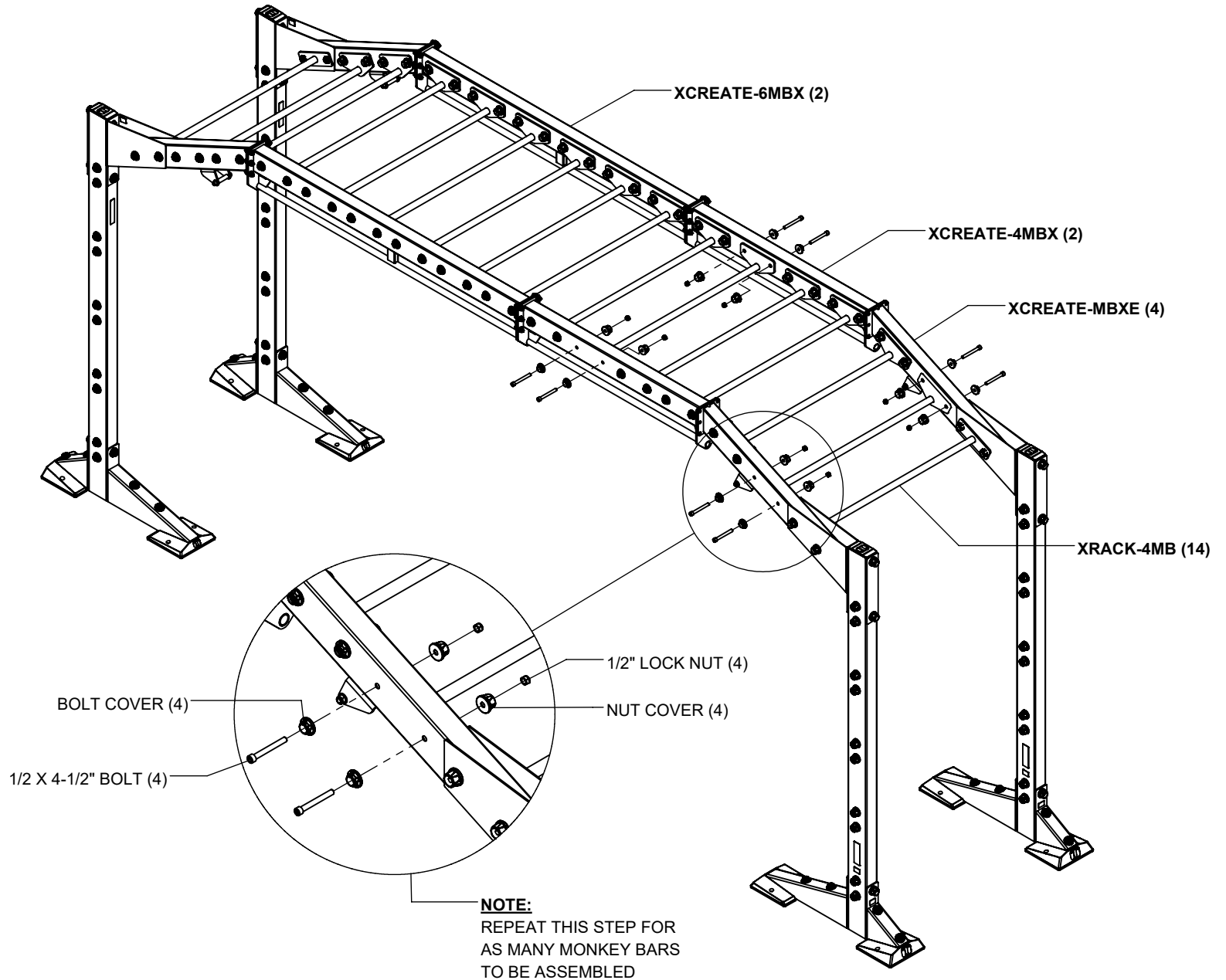
NOTES:

CAREFULLY stand each side up. Space sides approximately 4' apart.

LOOSELY assemble bolt connections in this step.

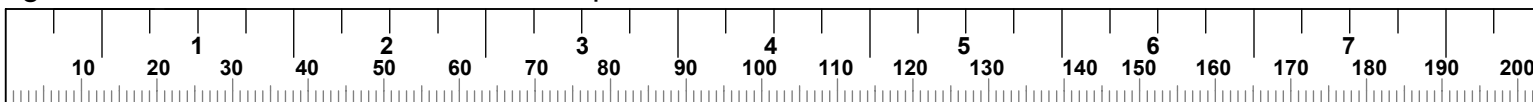


BRIDGE ASSEMBLY



NOTES:

After this step has been completed, **SECURELY** tighten all bolt connections made to this point.



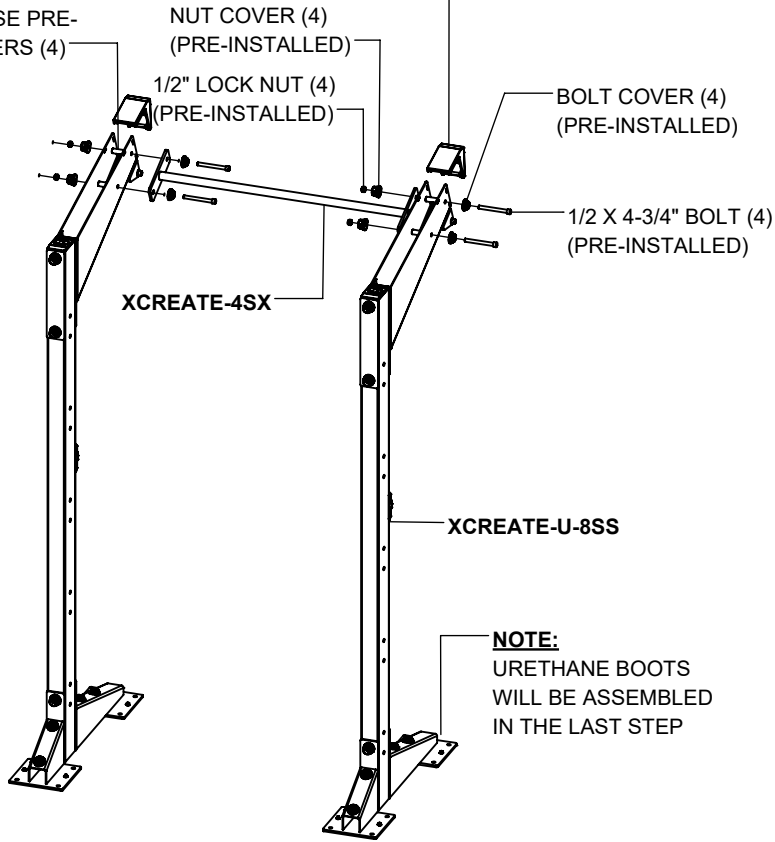
ONE MODULE ASSEMBLY

NOTE:

REMOVE END CAPS PRIOR TO ASSEMBLY.
RE-ATTACH END CAPS AFTER ASSEMBLY (2)

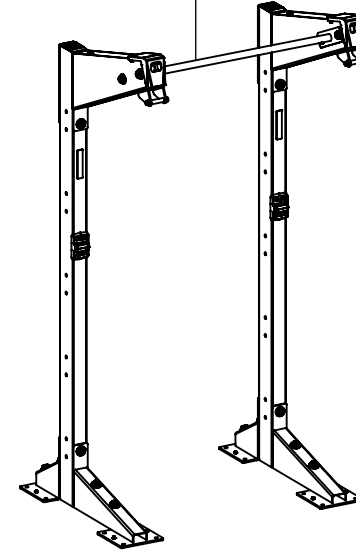
NOTE:

MAKE SURE TO USE PRE-INSTALLED SPACERS (4)

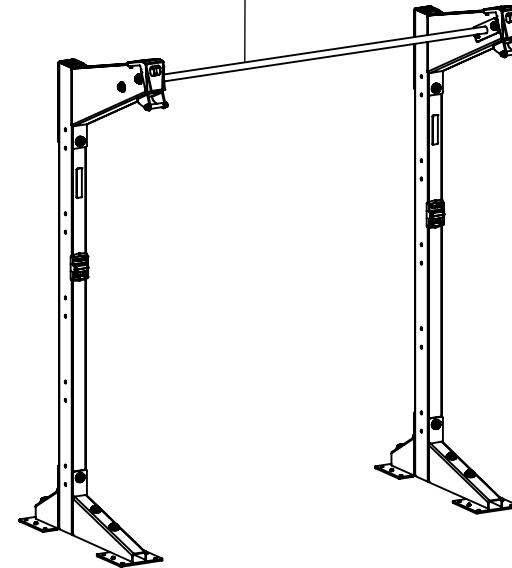


NOTE:
URETHANE BOOTS
WILL BE ASSEMBLED
IN THE LAST STEP

XCREATE-4SX



XCREATE-6SX

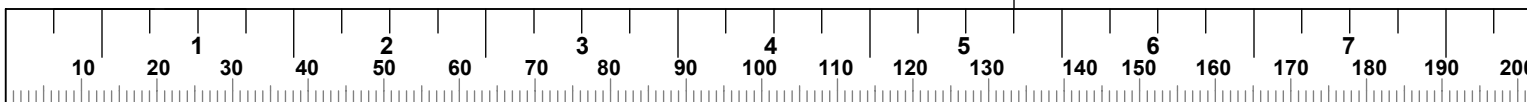


NOTES:

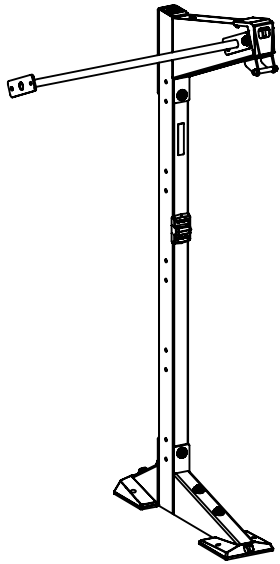
For the purpose of illustration the XCREATE-4SX is shown.
The XCREATE-6SX is assembled the same way.

LOOSELY assemble bolt connections in this step.

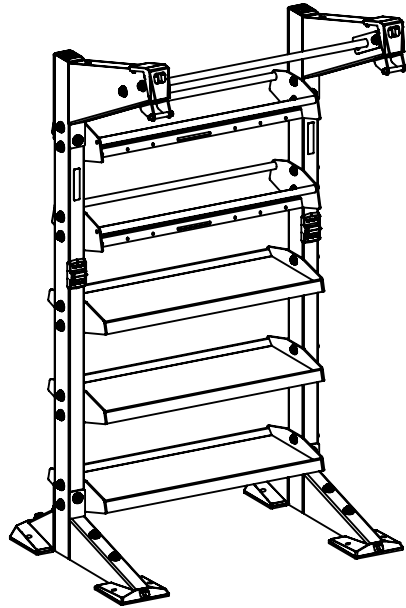
If more than one module will be assemble, refer to **PAGE 15**.



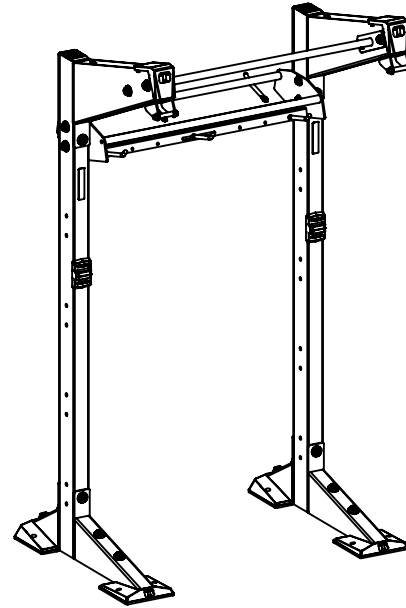
MODULES



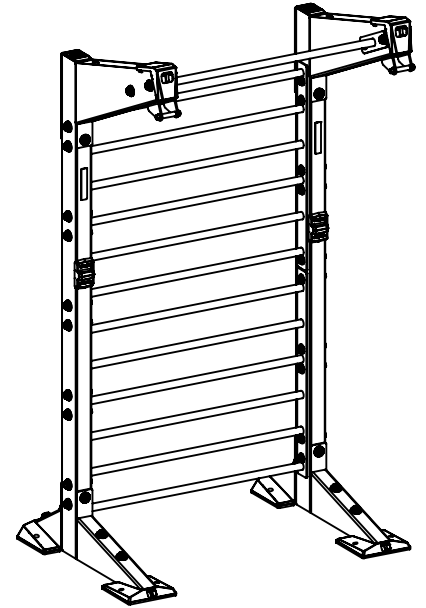
**8' UPRIGHT
MODULE EXTENSION**



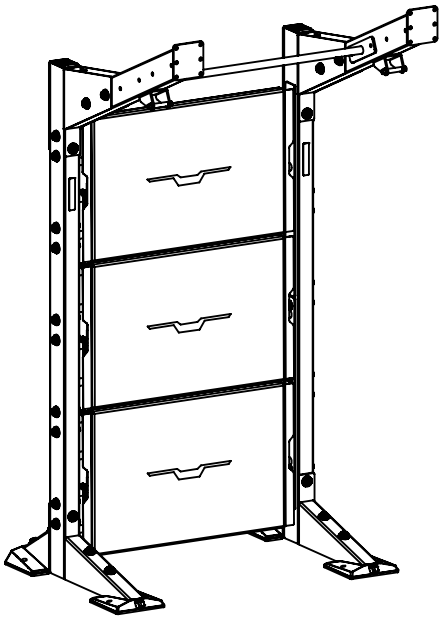
4' / 6' STORAGE MODULE



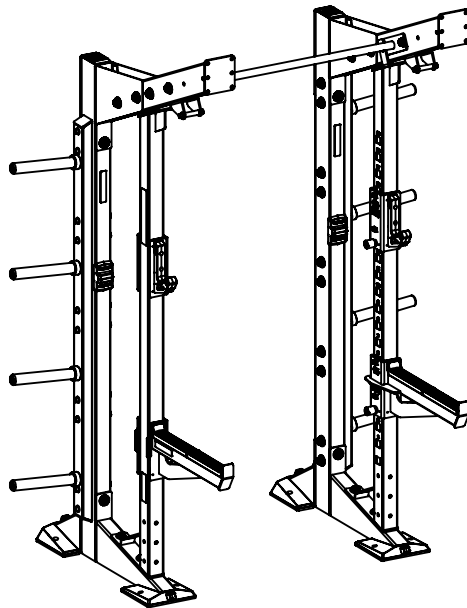
**4' / 6' BALL & HANGING
STORAGE MODULE**



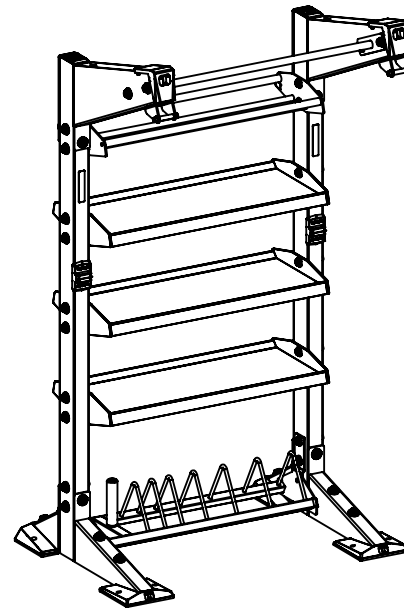
4' STALL BAR MODULE



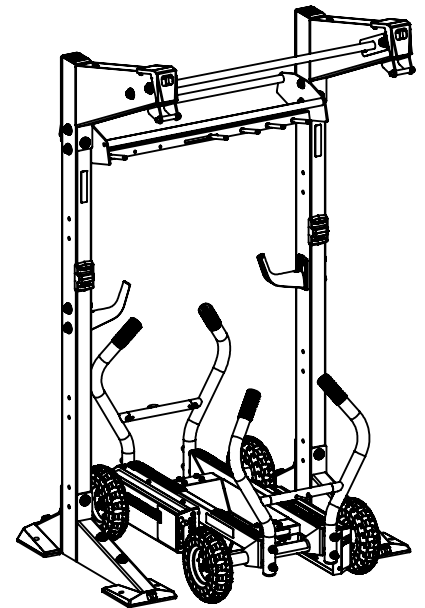
**4' BALL TARGET WALL PAD
MODULE**



**8' OLYMPIC LIFTING
STATION MODULE**

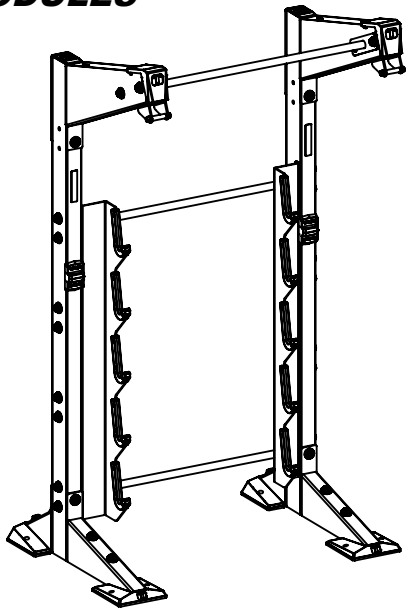


**4' / 6' ACCESSORY & BUMPER
STORAGE MODULE**

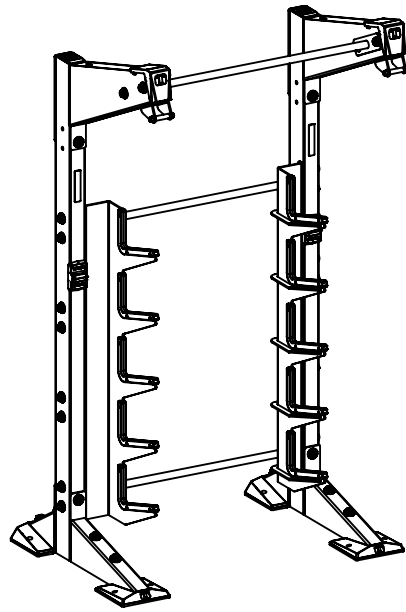


4' TANK DOCKING MODULE

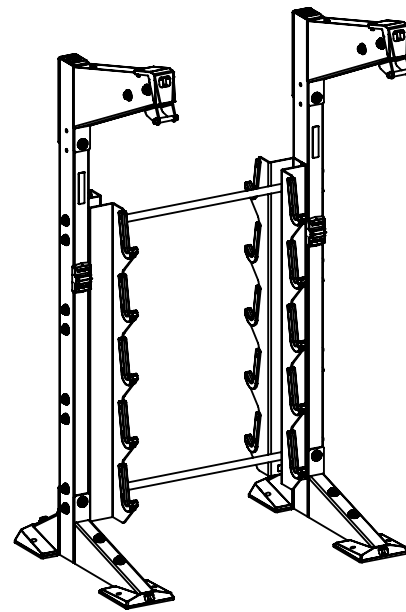
MODULES



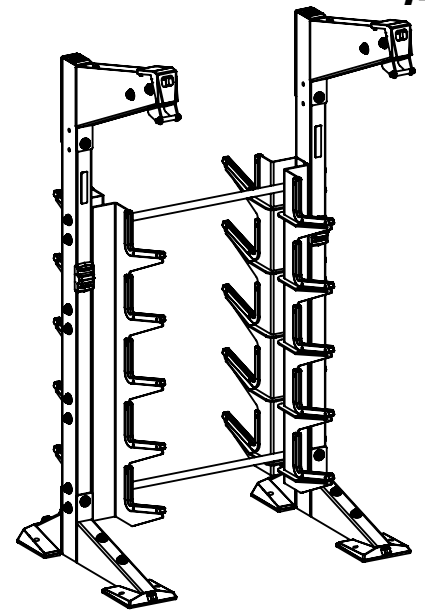
**4' X 5 BARBELL STORAGE
MODULE**



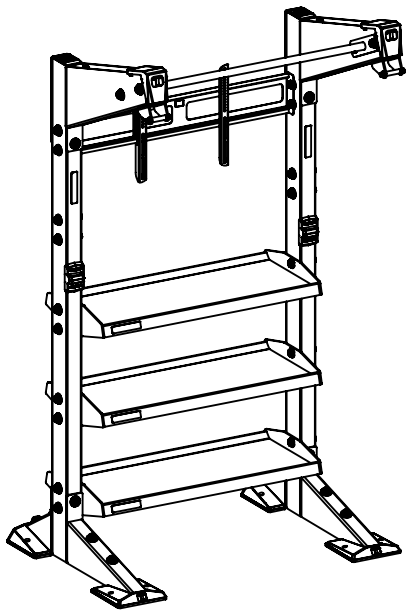
**4' X 10 BARBELL STORAGE
MODULE**



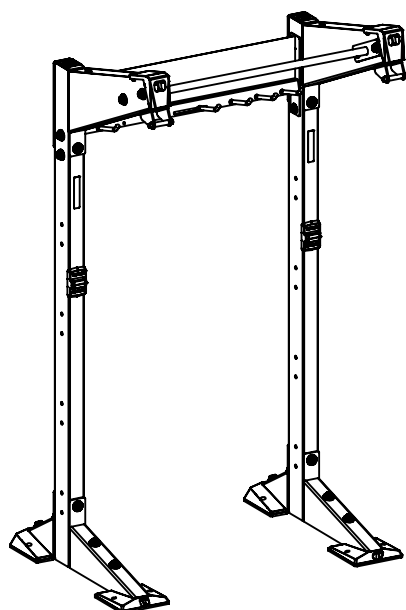
**4' X 2 SIDED X 10 BARBELL
STORAGE MODULE**



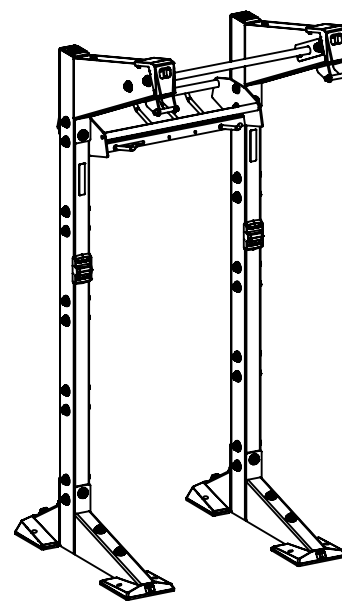
**4' X 2 SIDED X 20 BARBELL
STORAGE MODULE**



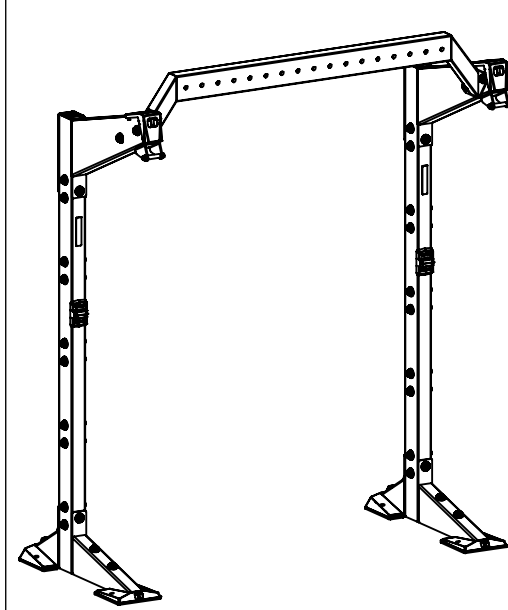
**4' MONITOR MOUNT
STORAGE MODULE**



**4' CUSTOM SIGN AND HANGING
STORAGE MODULE**

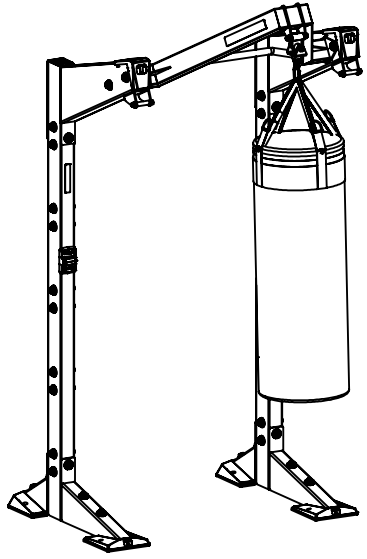


**2.5' BALL AND HANGING STORAGE
MODULE**



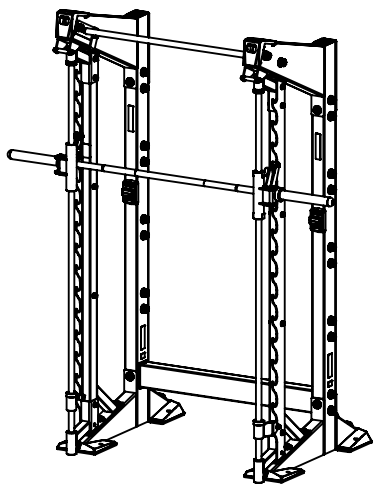
6' RECTANGULAR CROSS MODULE

MODULES

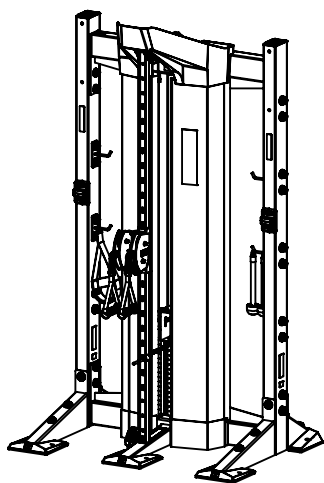


**4' X 5 BARBELL STORAGE
MODULE**

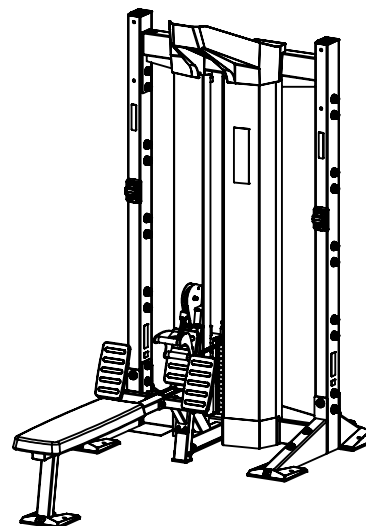
NOT COVERED IN THIS GUIDE



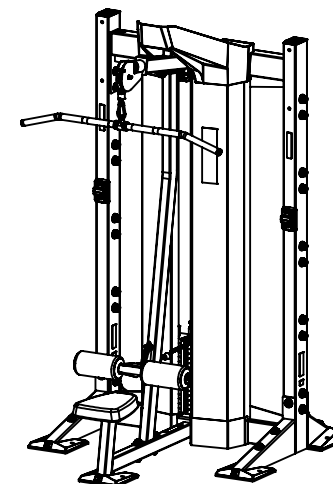
SMITH MODULE



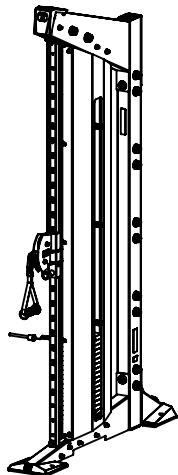
**CABLE COMPONENT
MODULE**



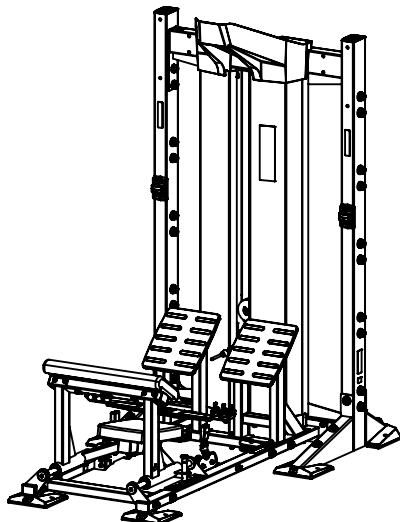
**SEATED ROW
MODULE**



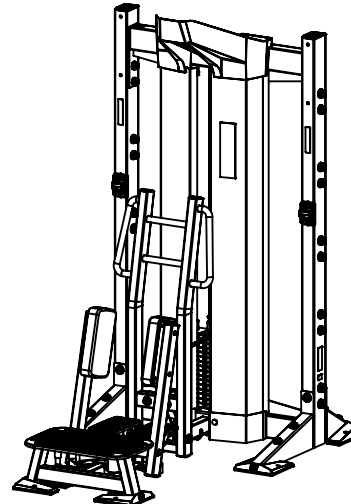
**LAT PULL DOWN
MODULE**



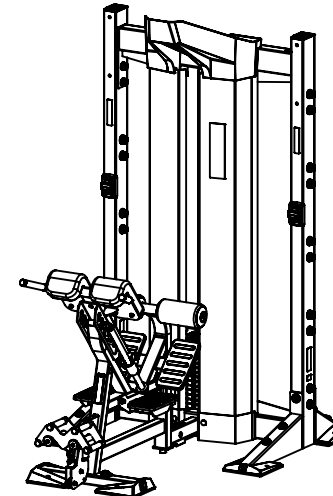
UPRIGHT CABLE COLUMN



HIP THRUST MODULE



**STANDING ABDUCTOR
MODULE**

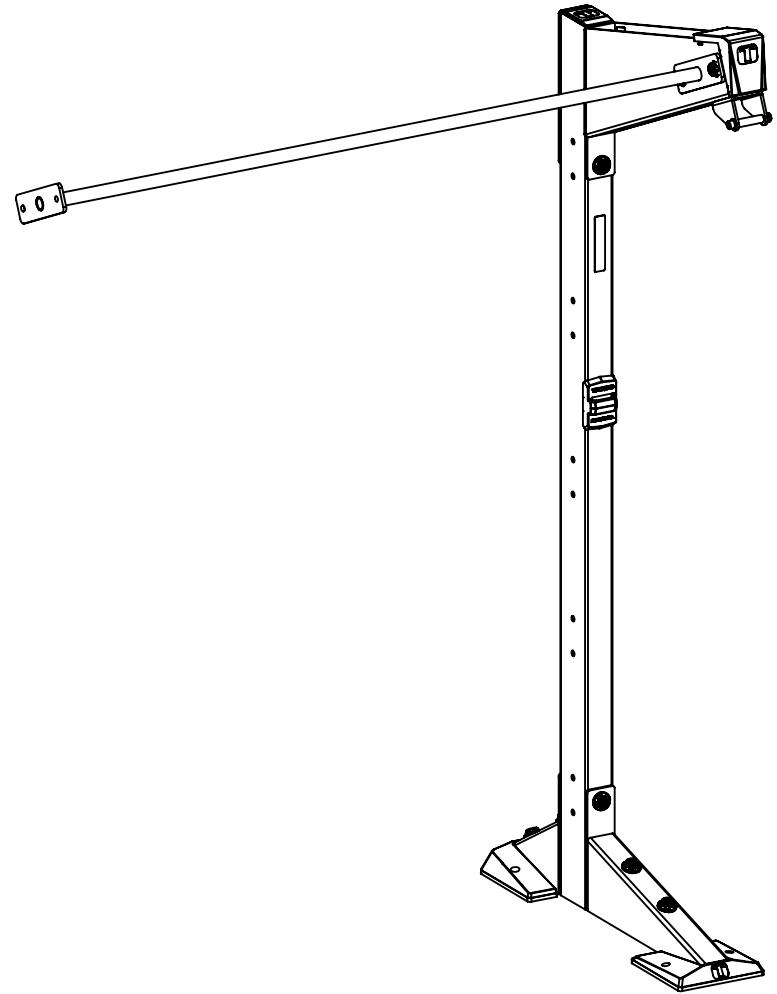
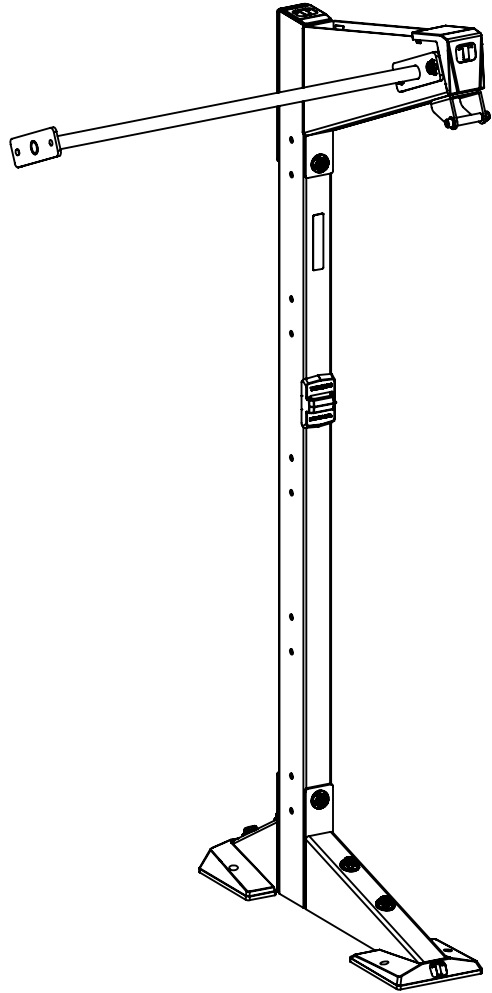


**BACK EXTENSION
MODULE**

NOTES:

For the above modules and attachments, visit [Torquefitness.com](https://commercial.torquefitness.com) for the specific assembly manual for the product being assembled. The manuals can be downloaded at <https://commercial.torquefitness.com/pages/assembly-manuals>

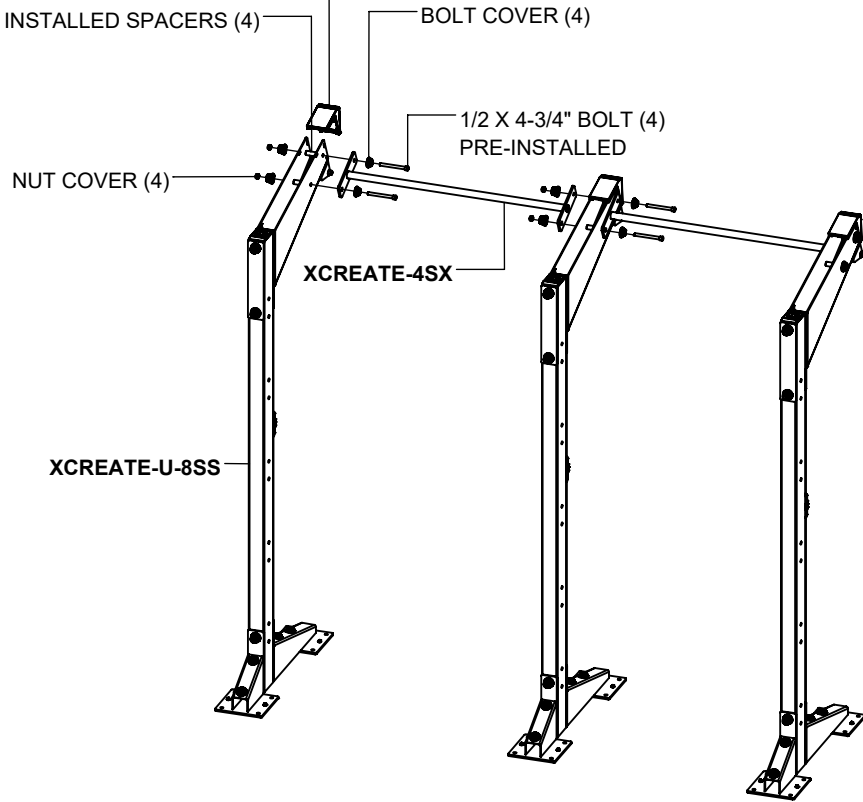
8' UPRIGHT MODULE EXTENSION



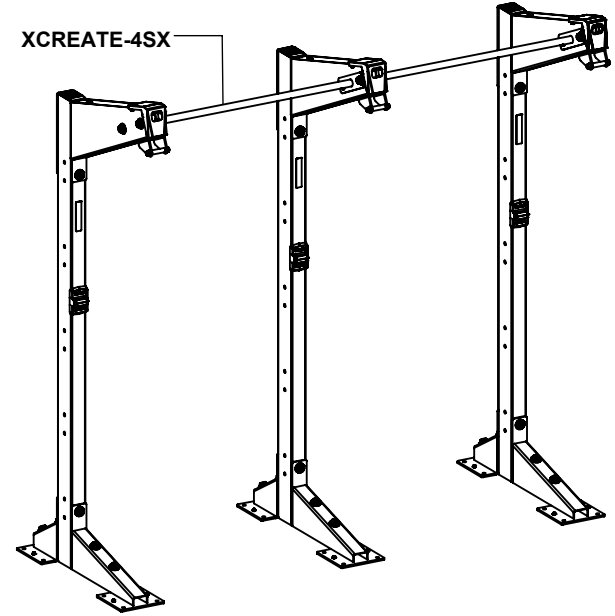
8' UPRIGHT MODULE EXTENSION

NOTE:
MAKE SURE TO USE PRE-INSTALLED SPACERS (4)

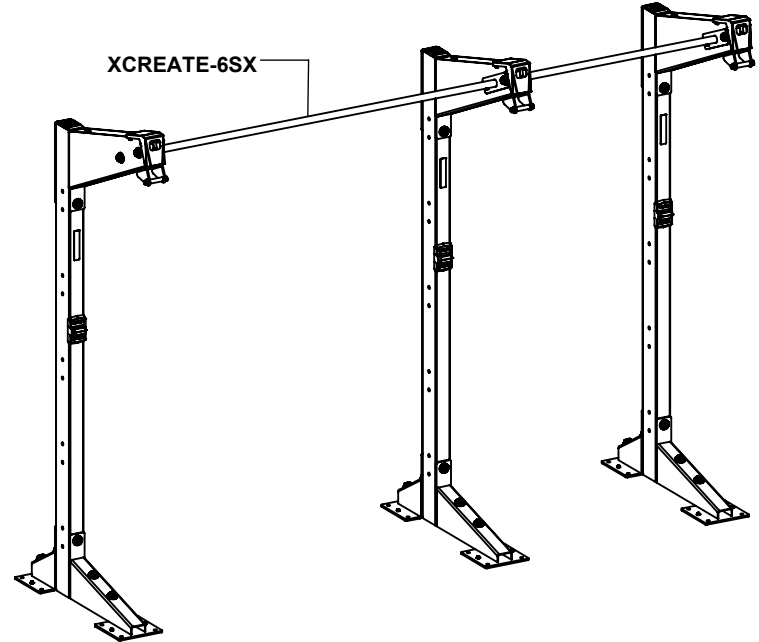
NOTE:
REMOVE END CAP PRIOR TO ASSEMBLY.
RE-ATTACH END CAP AFTER ASSEMBLY (2)



XCREATE-4SX



XCREATE-6SX

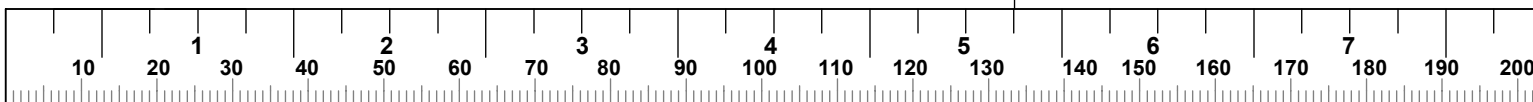


NOTES:

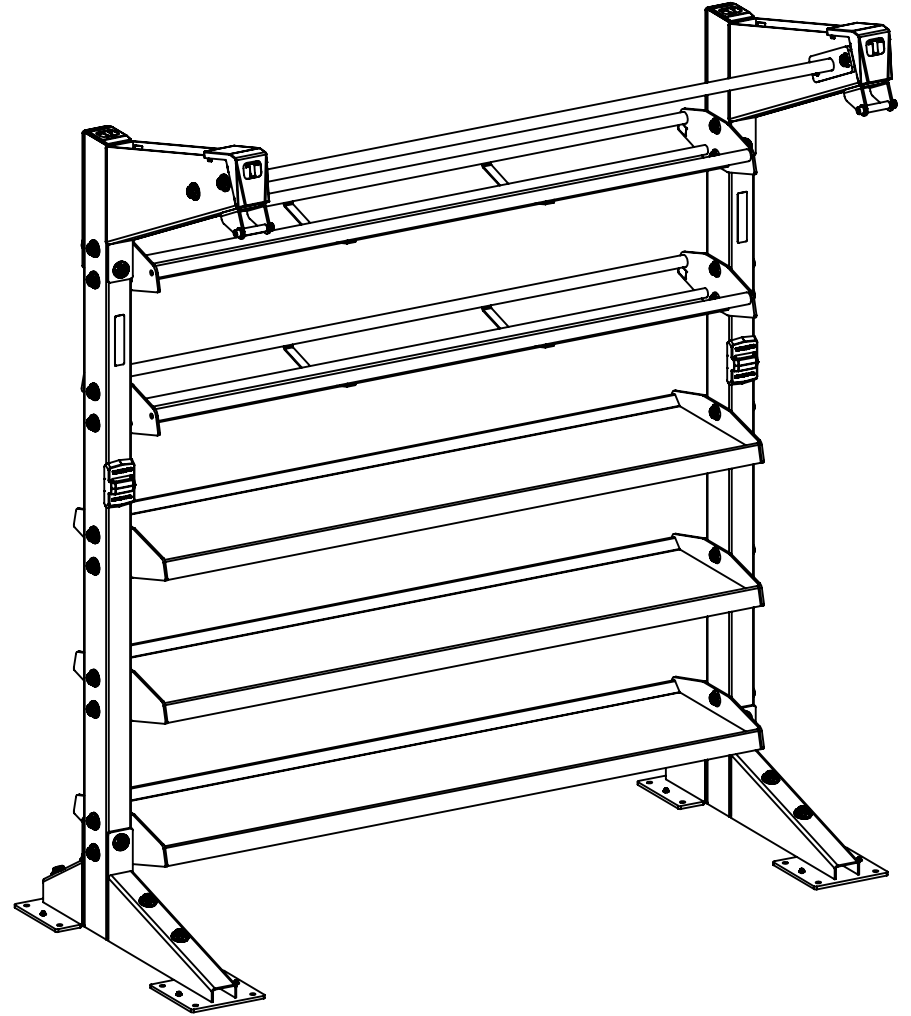
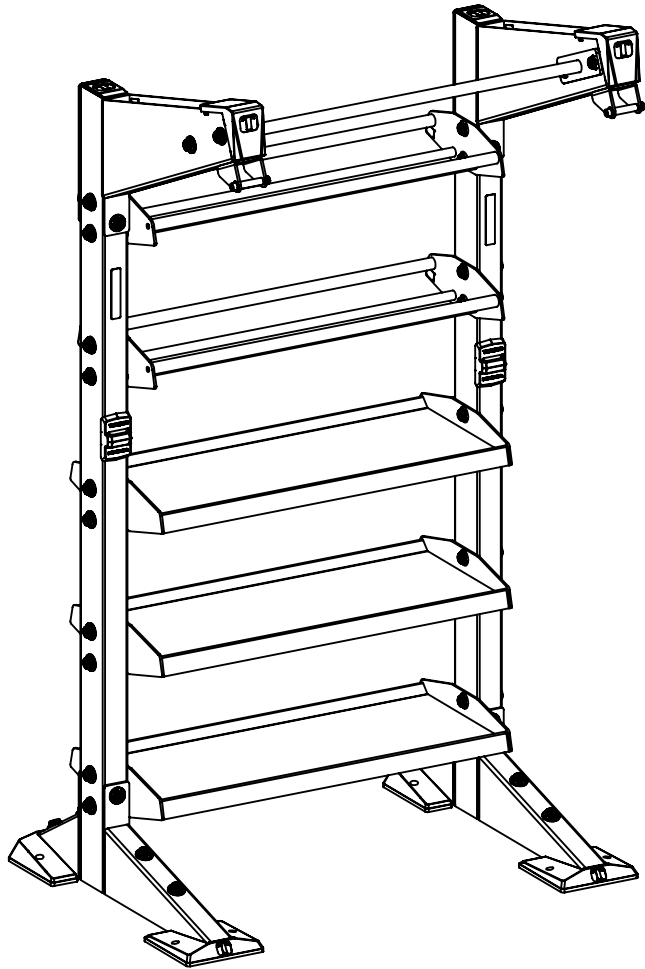
For the purpose of illustration the 4' module extension is shown. The 6' module extension is assembled the same way.

LOOSELY assemble bolt connections in this step.

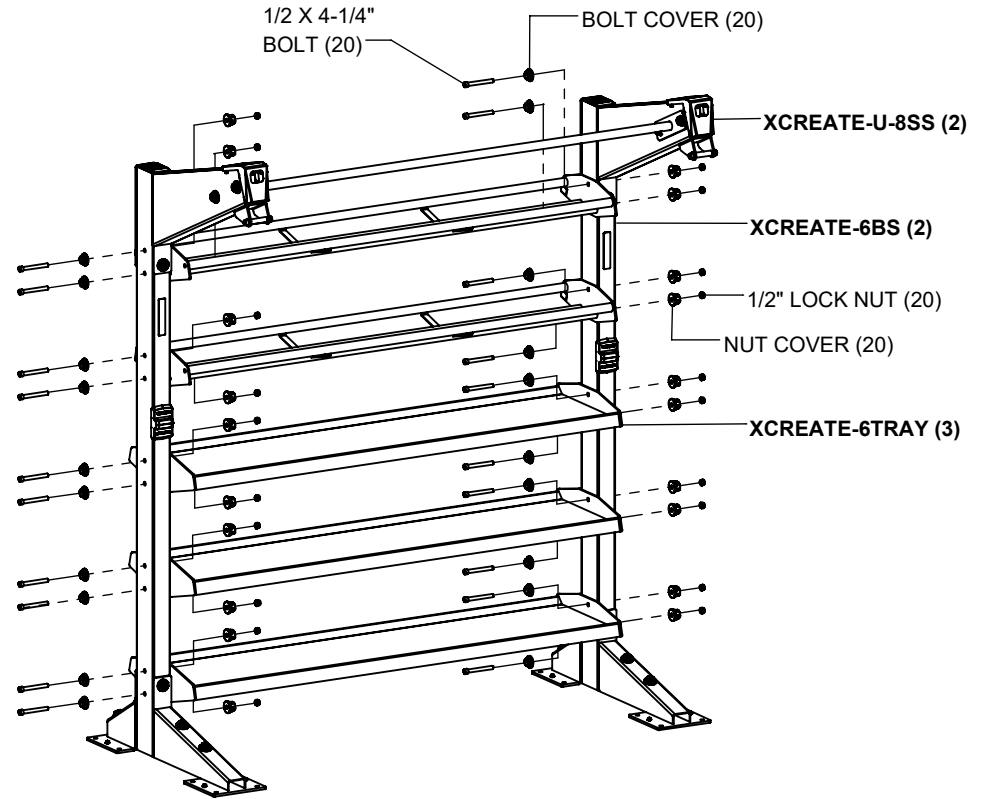
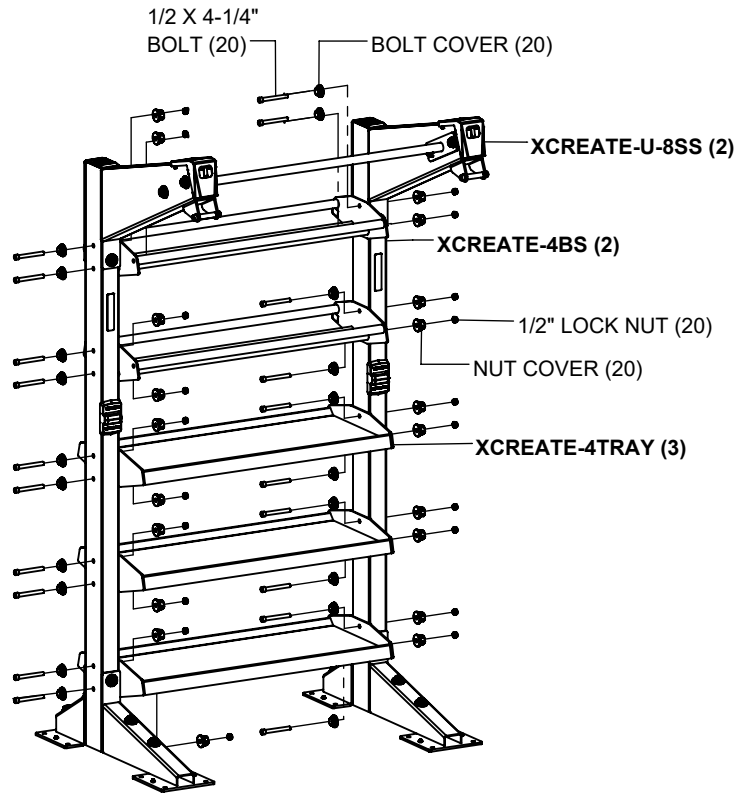
Repeat this step for as many modules there are to assemble.



4' / 6' STORAGE MODULE



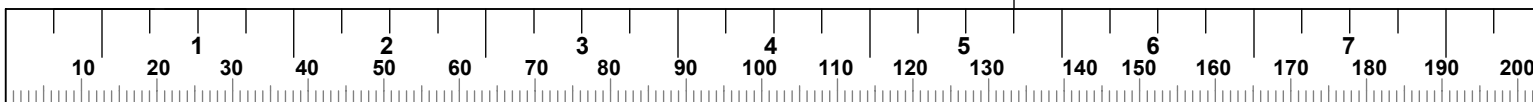
4' / 6' STORAGE MODULE



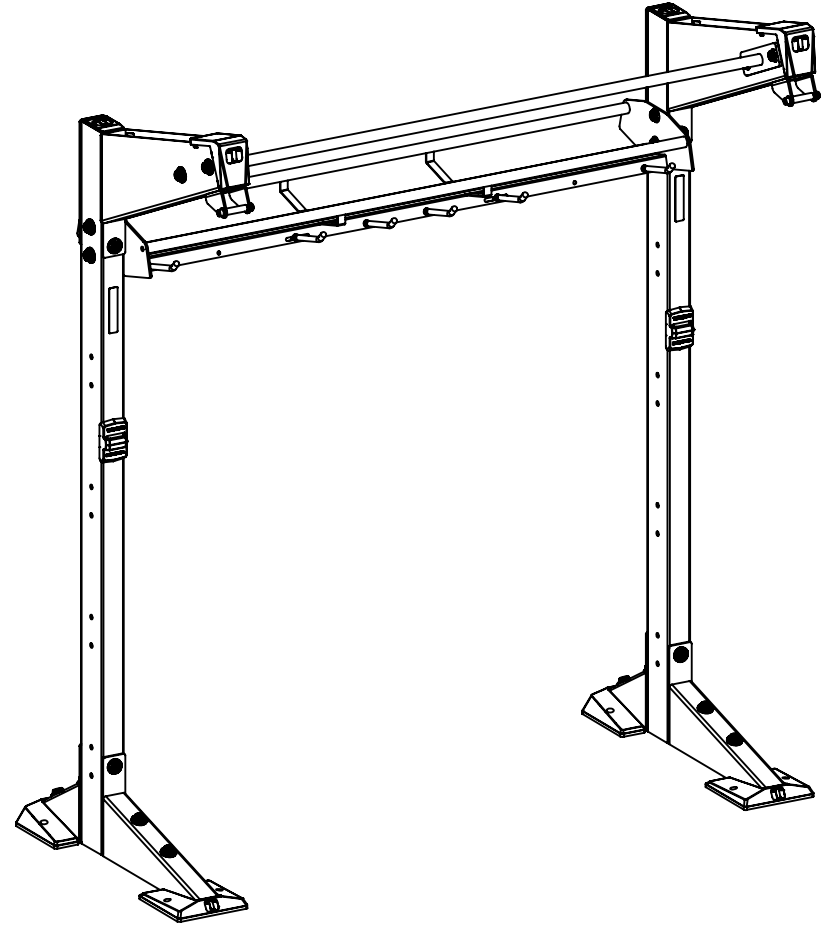
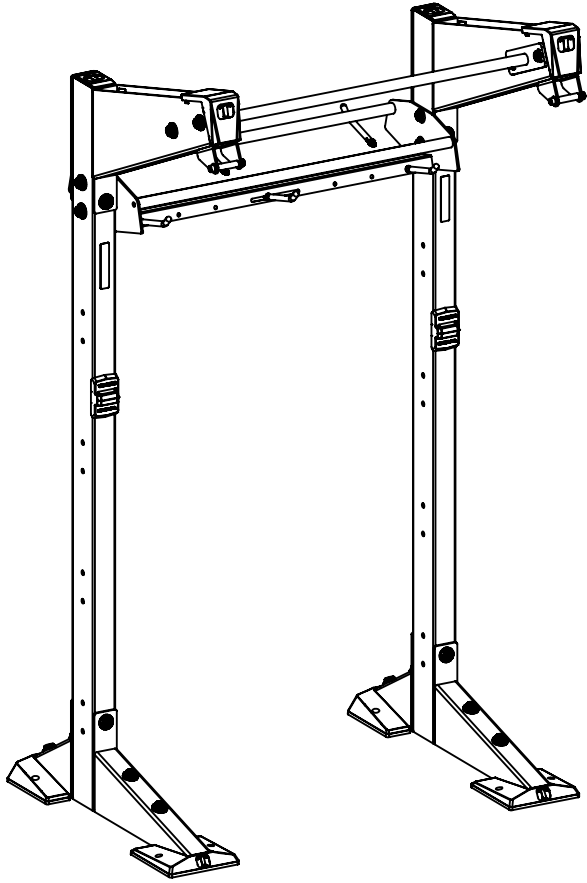
NOTES:

If more modules will be assembled, do not tighten bolts at this time. If this is the only module being assembled, then **SECURELY** tighten all bolts in this step and previous steps.

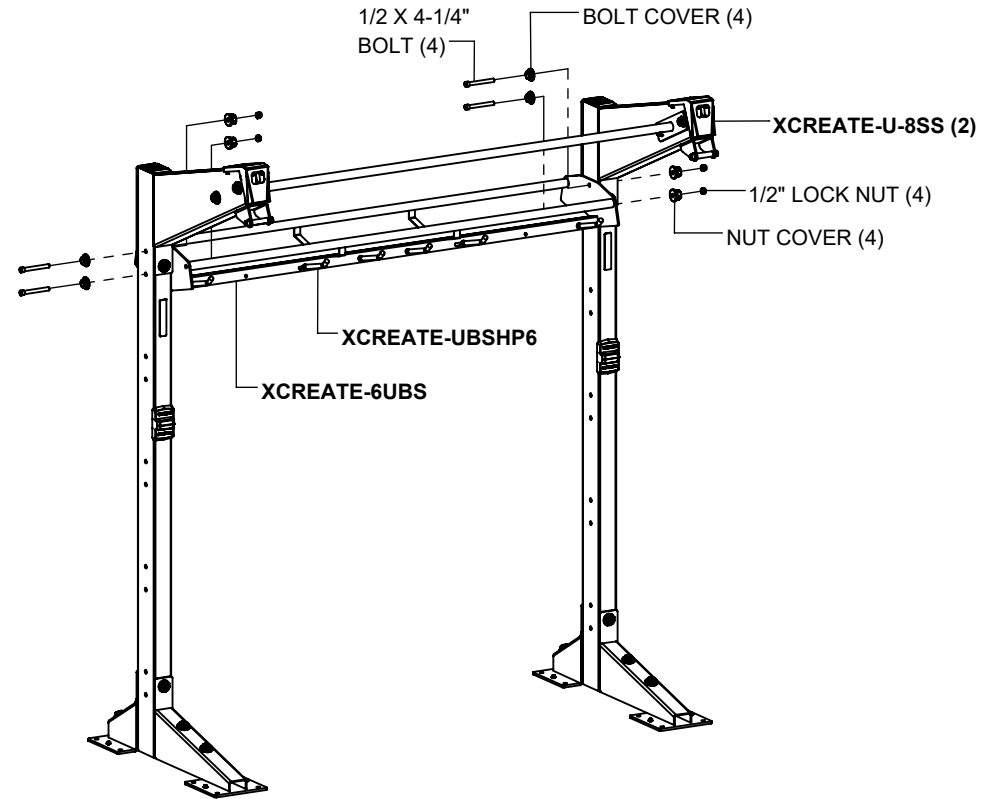
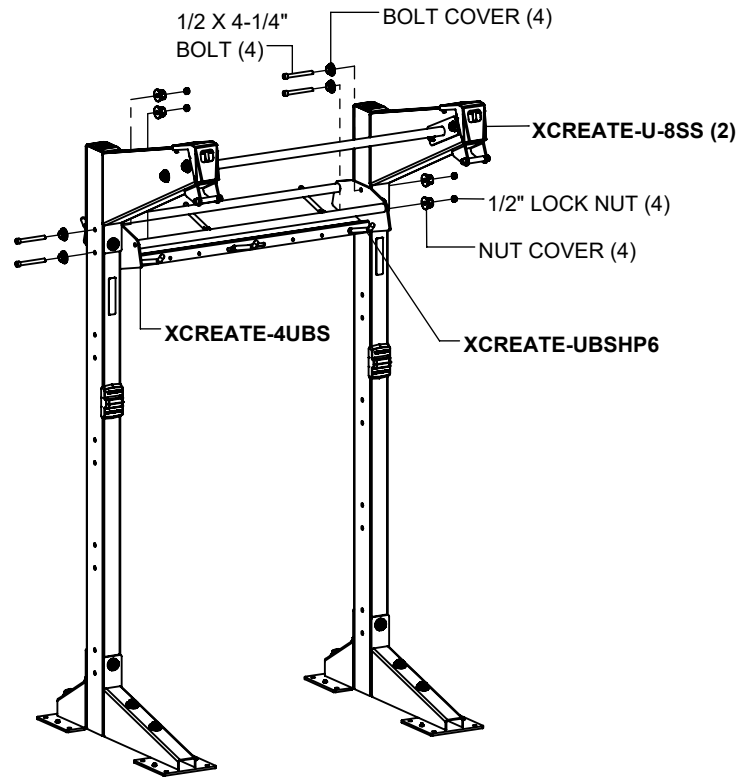
The **XCREATE-U-7SS** is assembled the exact same way.



**4' / 6' UNIVERSAL BALL & HANGING
STORAGE MODULE**



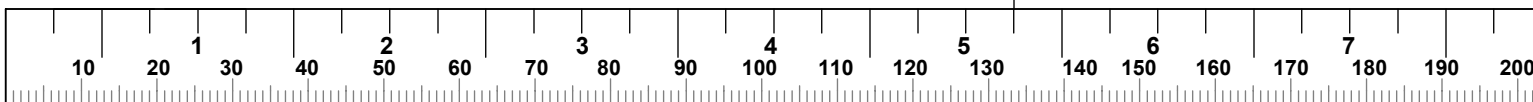
4' / 6' UNIVERSAL BALL & HANGING STORAGE MODULE



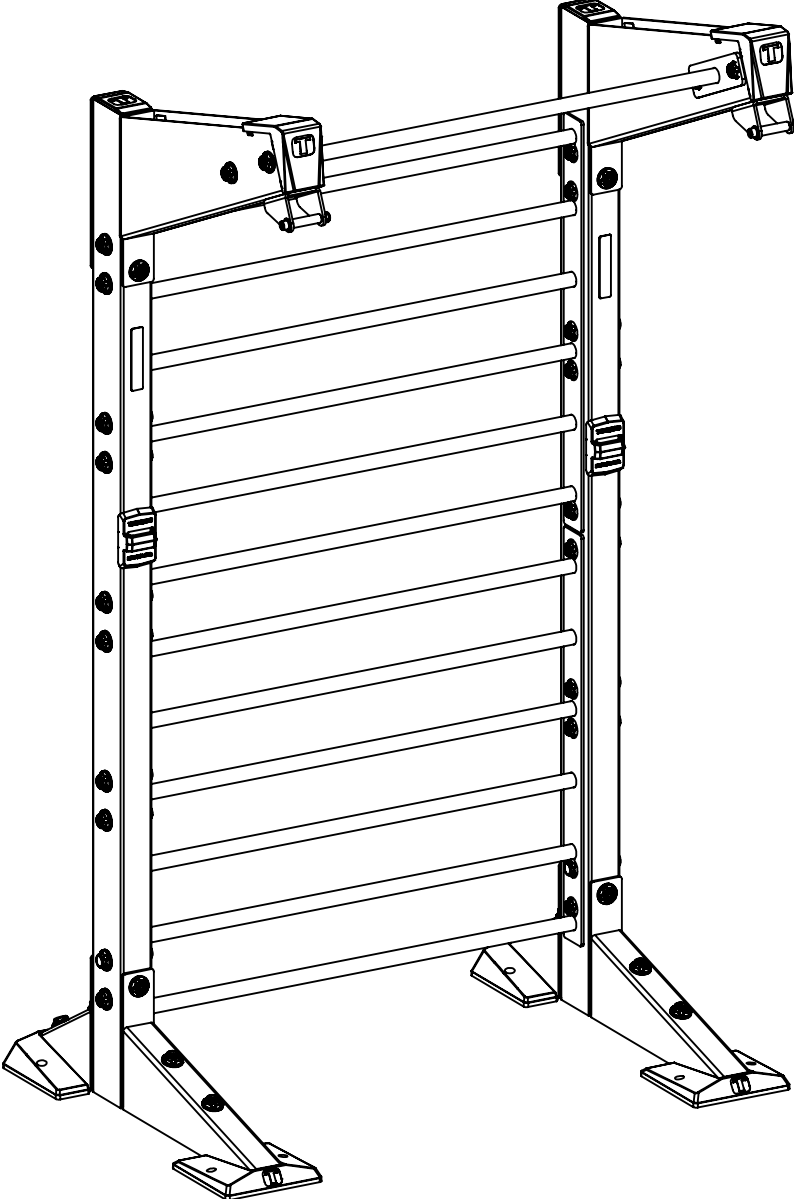
NOTES:

If more modules will be assembled, do not tighten bolts at this time. If this is the only module being assembled, then **SECURELY** tighten all bolts in this step and previous steps.

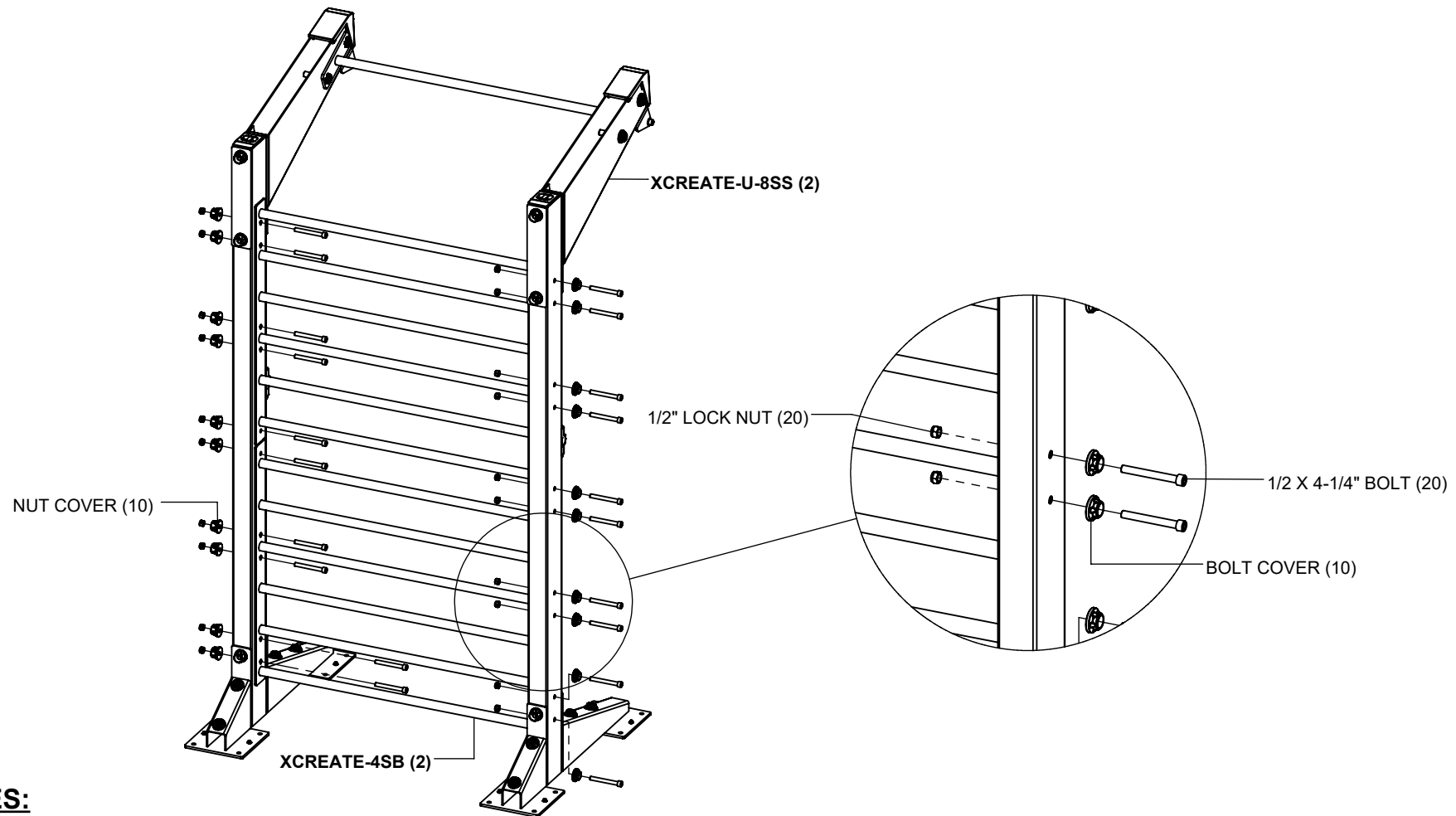
The **XCREATE-U-7SS** is assembled the exact same way.



4' STALL BAR MODULE



4' STALL BAR MODULE



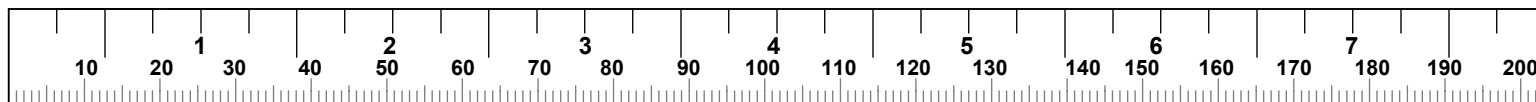
NOTES:

If more modules will be assembled, do not tighten bolts at this time.
 If this is the only module being assembled, then **SECURELY** tighten all bolts made in this step and previous steps.

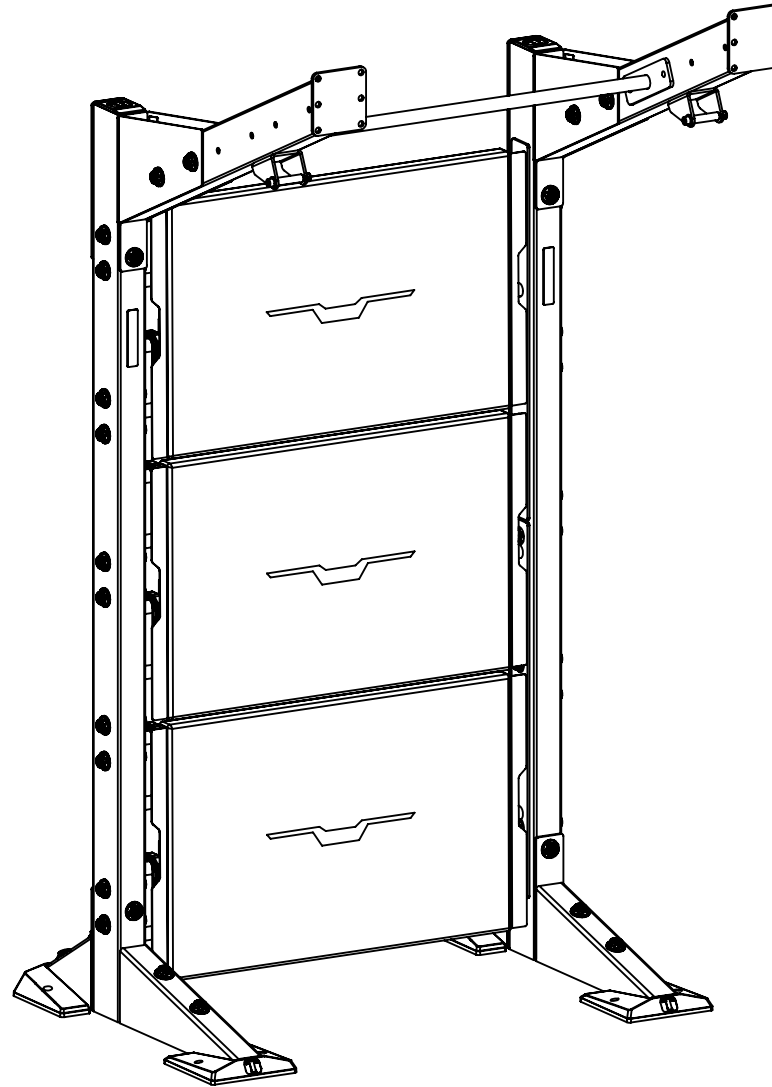
(*) HARDWARE COVERS **CAN** be used in place of washers on **tube side only**. (SEE PAGE 3).

(**) HARDWARE COVERS **CANNOT** be used on plate side.

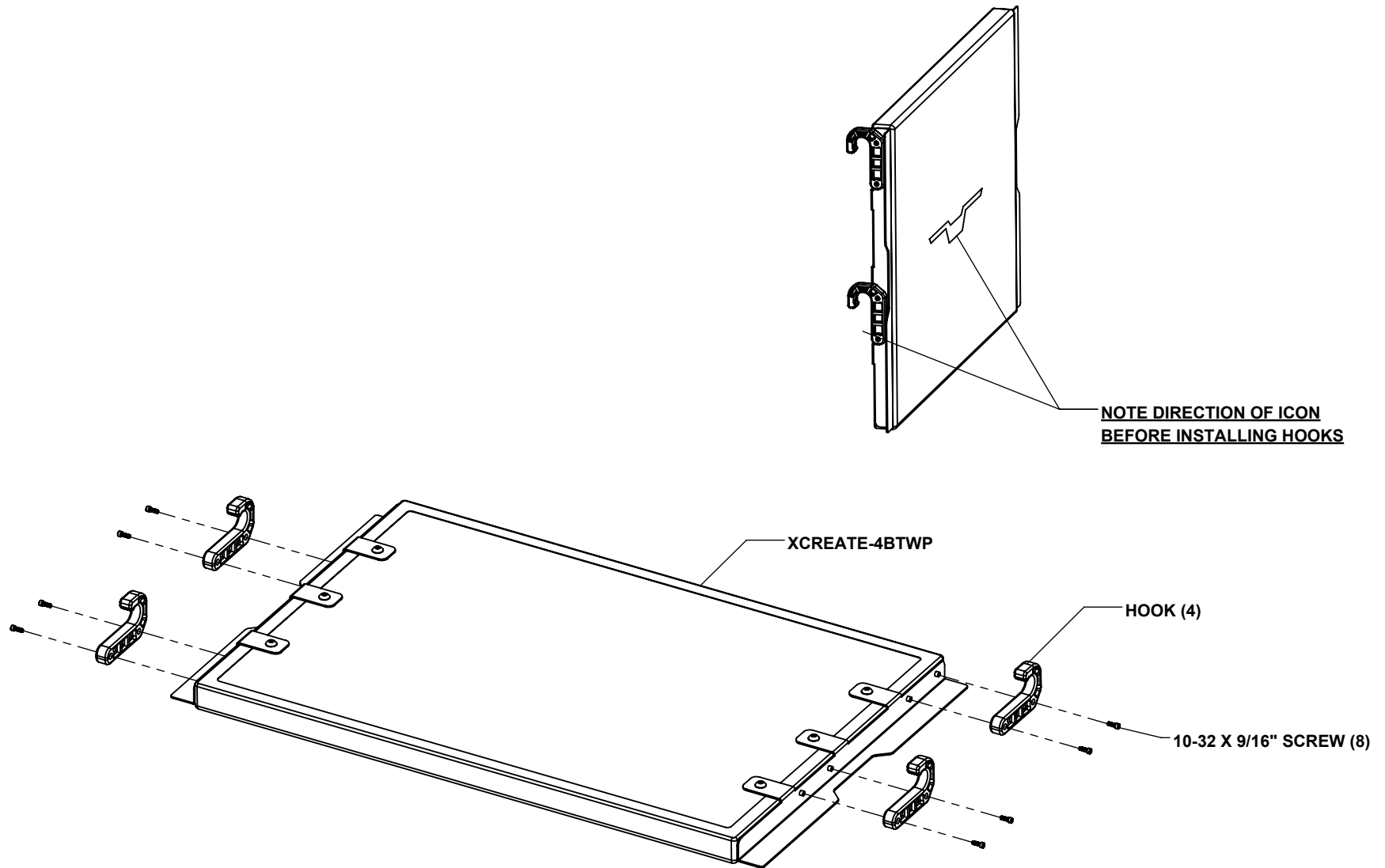
The **XCREATE-U-7SS** is assembled the exact same way.



4' BALL TARGET WALL PAD MODULE



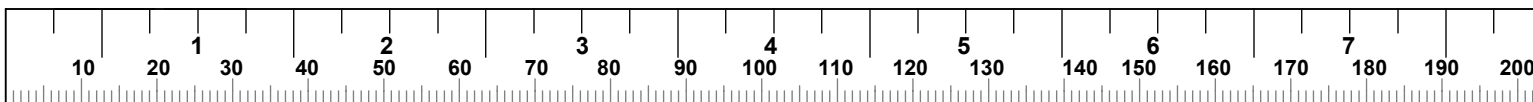
4' BALL TARGET WALL PADS



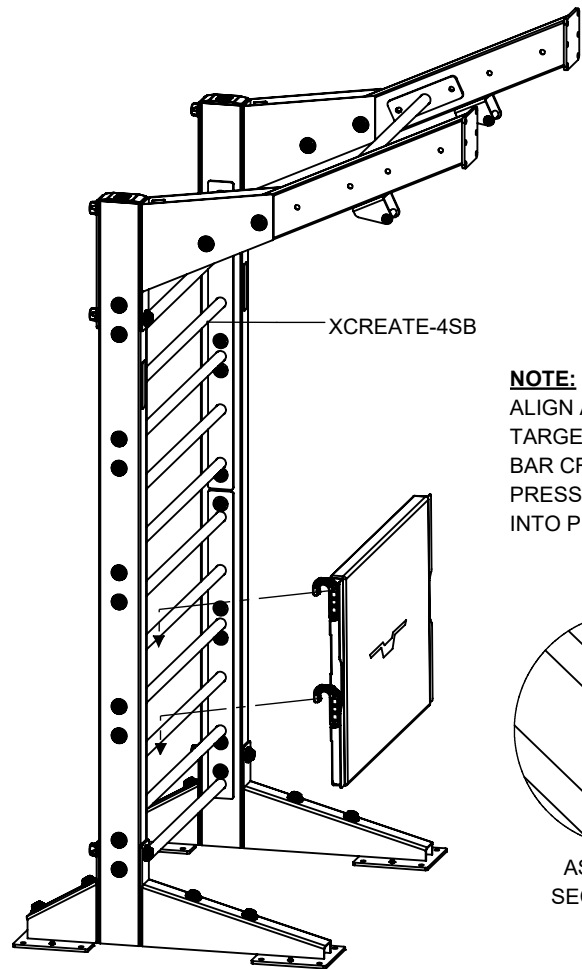
NOTES:

SECURELY TIGHTEN, DO NOT OVER TIGHTEN all bolted connections in this step.

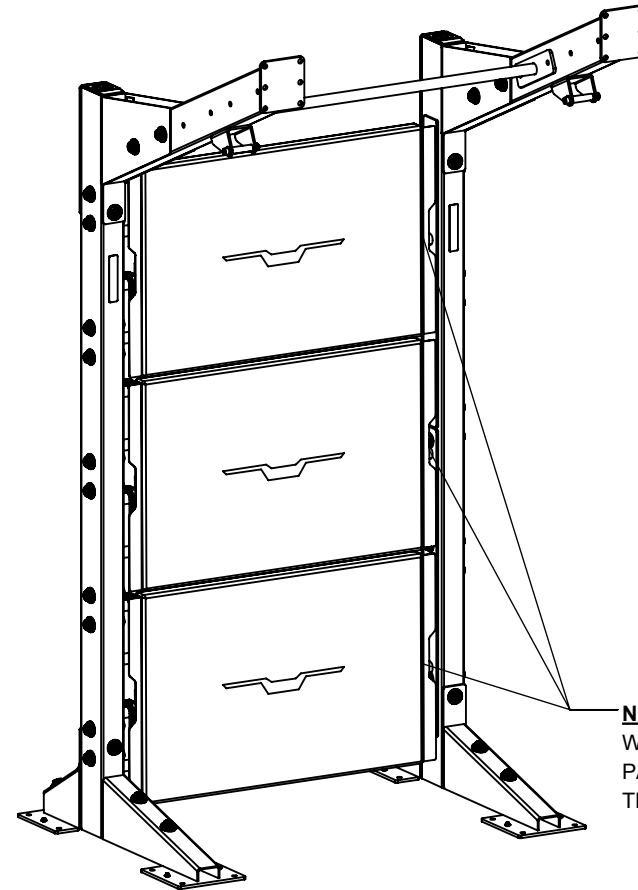
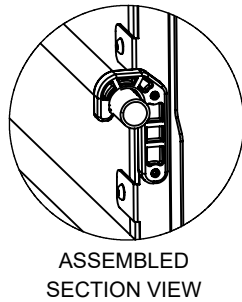
Repeat this step for all ball target pads.



4' BALL TARGET WALL PAD MODULE



NOTE:
ALIGN AND HOOK BALL
TARGET PADS OVER STALL
BAR CROSSMEMBERS.
PRESS PAD DOWN TO LOCK
INTO PLACE

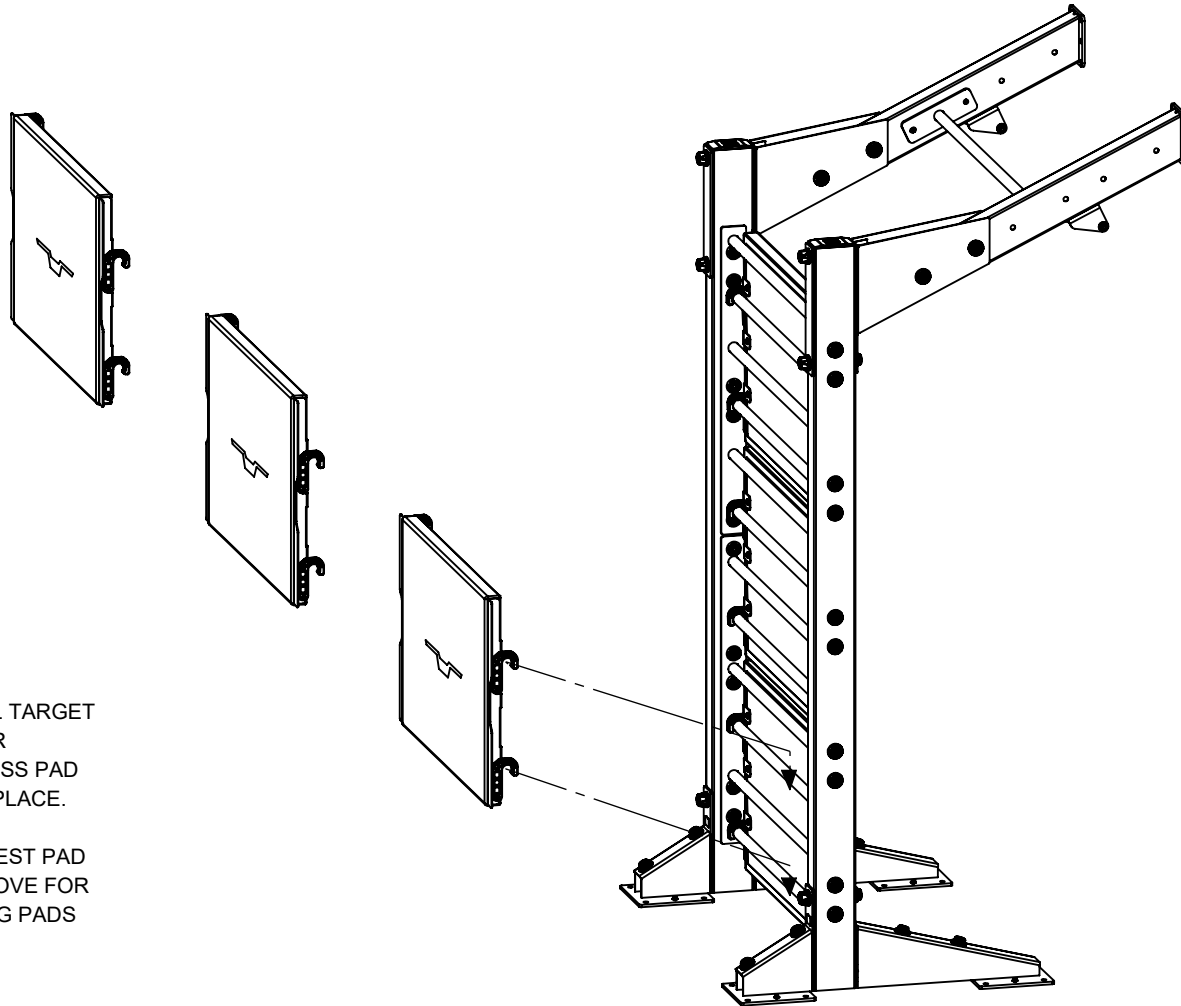


NOTES:

XCREATE 4' STALL BAR MODULE is required for installing the ball target wall pads. Reference previous steps for installing the stall bars.

Ball target wall pads can be removed and replaced as needed.

4' BALL TARGET WALL PADS



NOTE:

ALIGN AND HOOK BALL TARGET PADS OVER STALL BAR CROSSMEMBERS. PRESS PAD DOWN TO LOCK INTO PLACE.

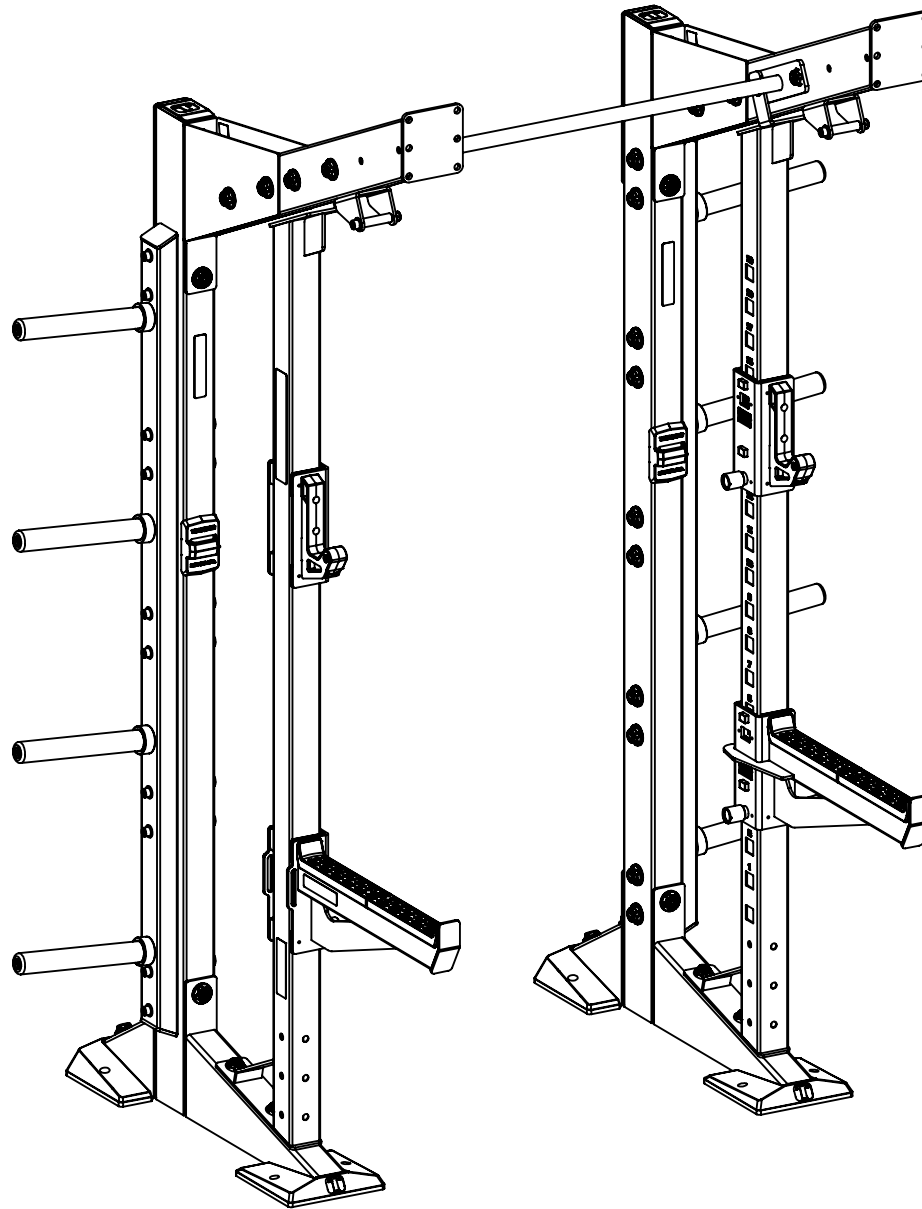
START WITH THE LOWEST PAD AND REPEAT STEP ABOVE FOR INSTALLING REMAINING PADS

NOTES:

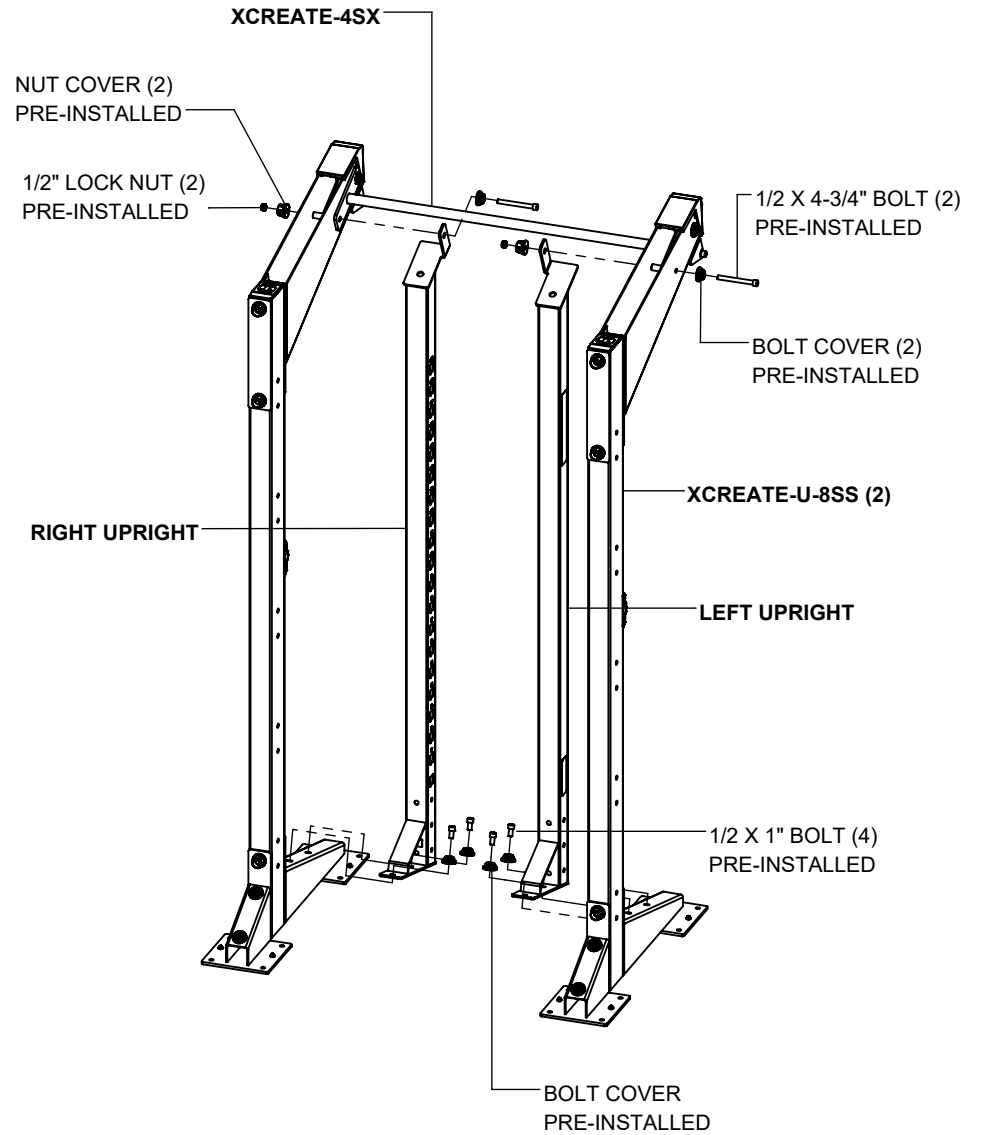
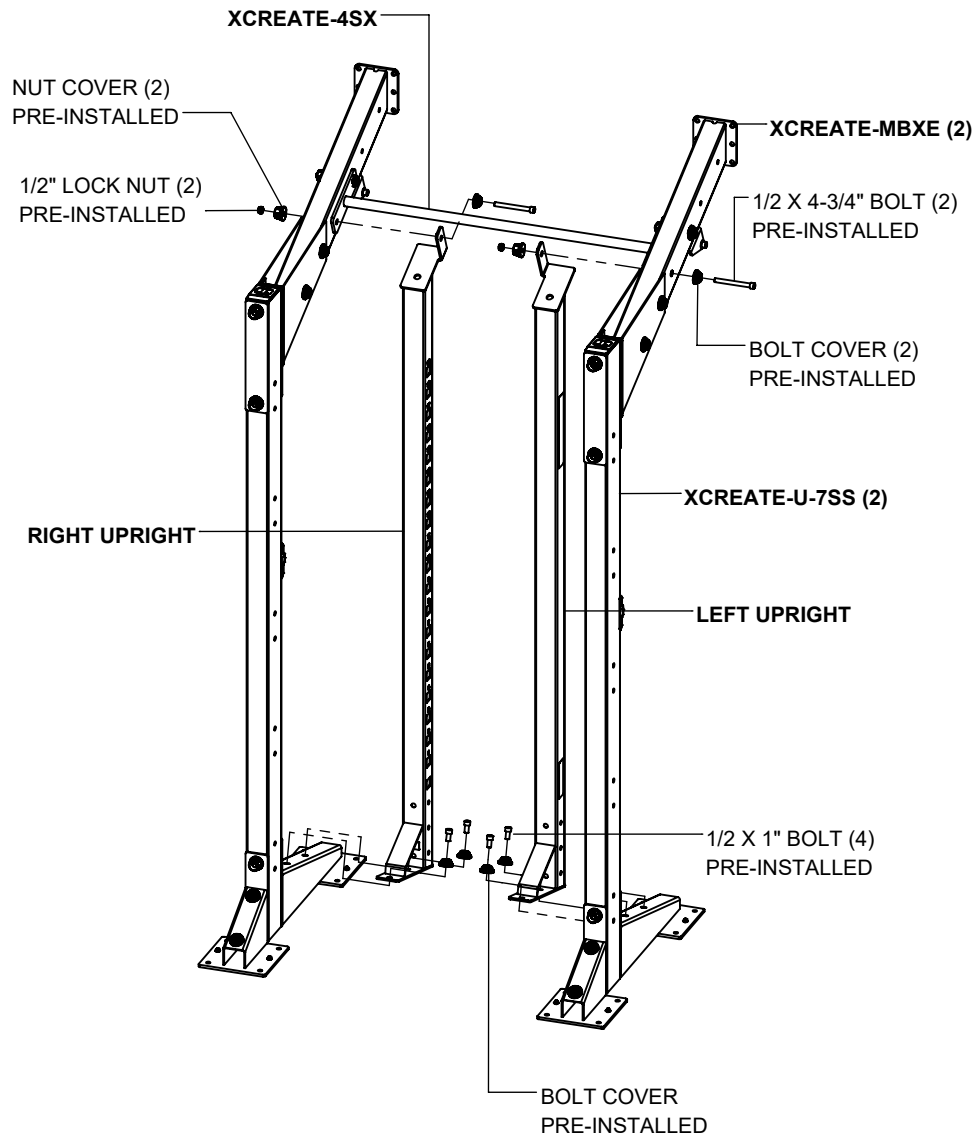
XCREATE 4' STALL BAR MODULE is required for installing the ball target wall pads. Reference previous steps for installing the stall bars.

Ball target wall pads can be removed and replaced as needed.

8' OLYMPIC LIFTING STATION MODULE

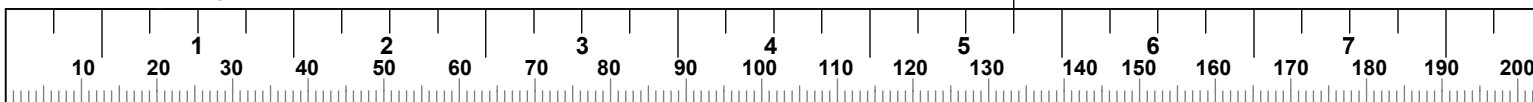


8' OLYMPIC LIFTING STATION MODULE



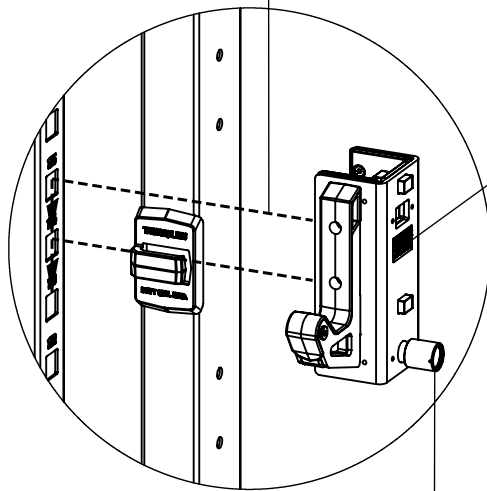
NOTES:

SECURELY tighten all bolt connections in this step.

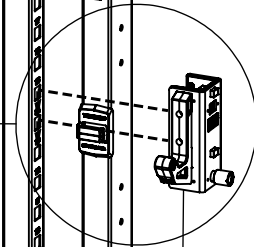


8' OLYMPIC LIFTING STATION MODULE

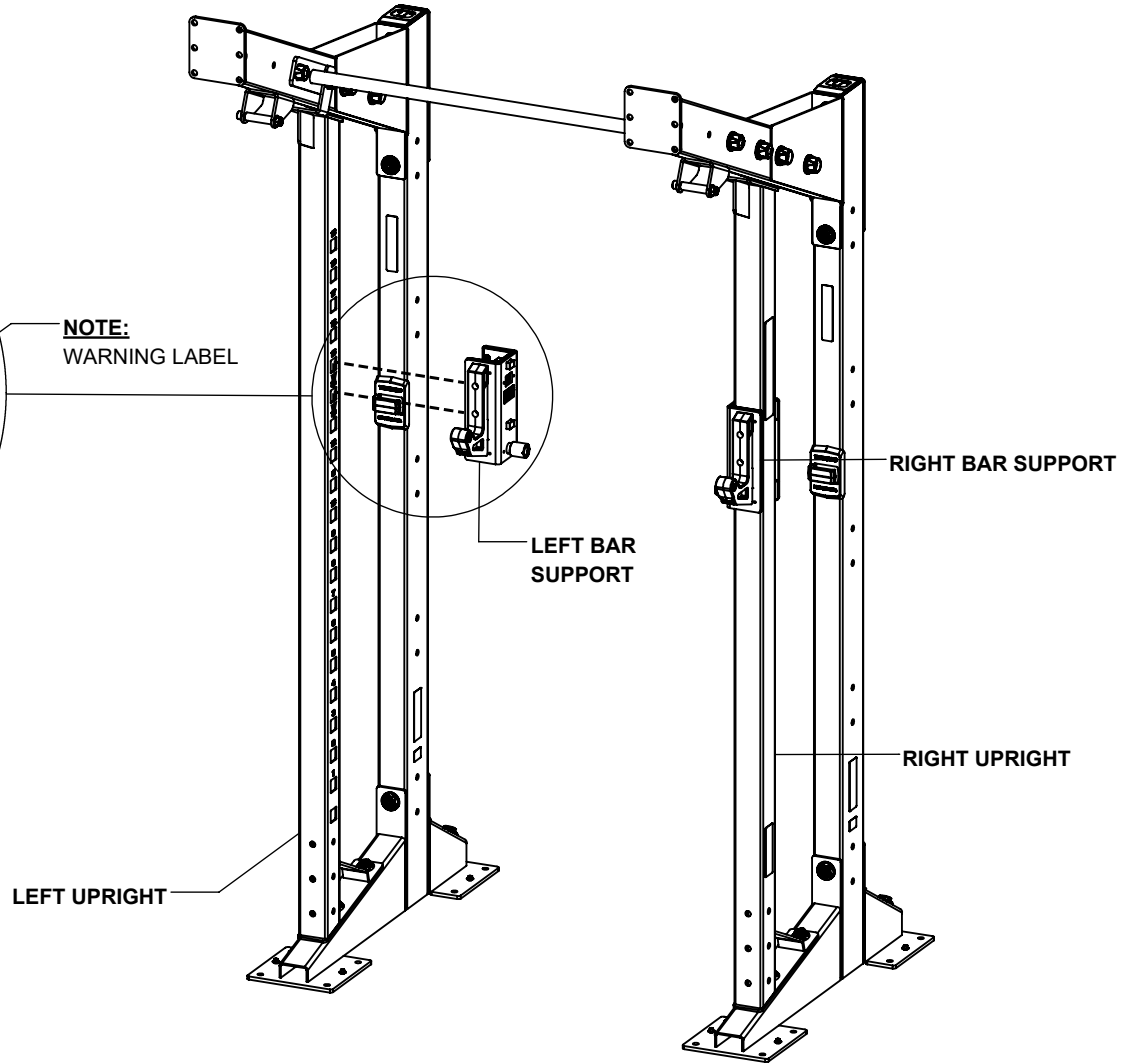
NOTE:
INSERT BAR SUPPORTS INTO
DESIRED SLOTS ON UPRIGHTS.
PUSH DOWN TO LOCK IN PLACE



NOTE:
WARNING LABEL



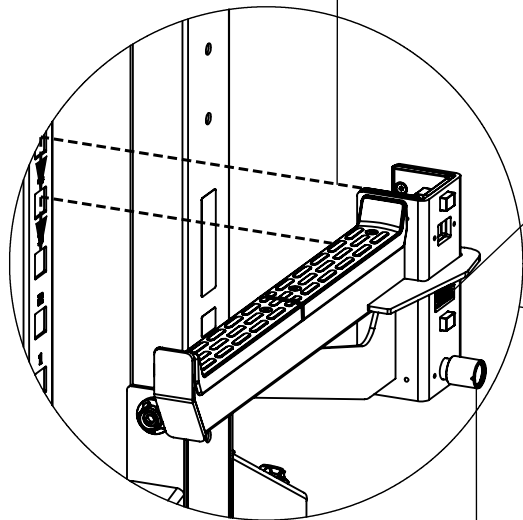
NOTE:
TO REMOVE BAR SUPPORTS FROM
UPRIGHTS, PULL SPRING PIN OUT TO
UNLOCK. LIFT UP AND PULL OUT



8' OLYMPIC LIFTING STATION MODULE

NOTE:

INSERT BAR CATCHES INTO
DESIRED SLOTS ON UPRIGHTS.
PUSH DOWN TO LOCK IN PLACE



NOTE:

WARNING LABEL

NOTE:

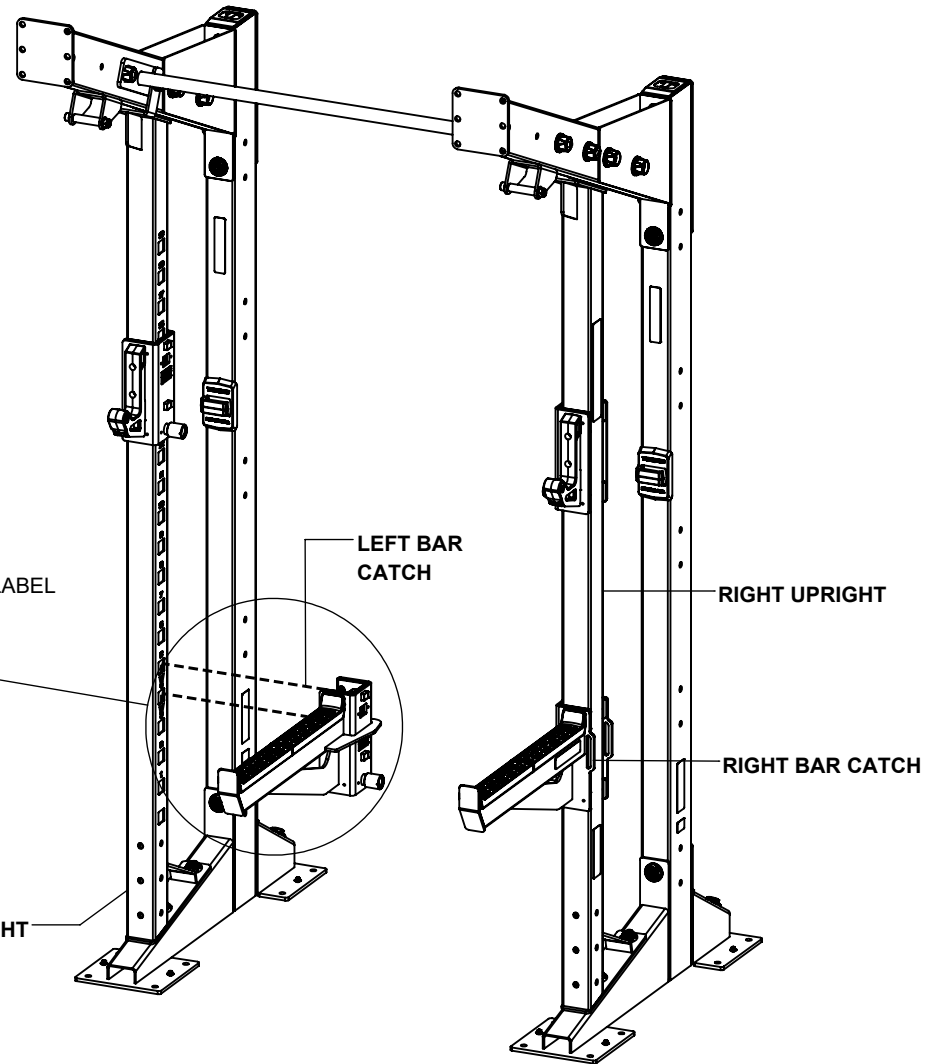
TO REMOVE BAR CATCHES FROM
UPRIGHTS, PULL SPRING PIN OUT TO
UNLOCK. LIFT UP AND PULL OUT

LEFT UPRIGHT

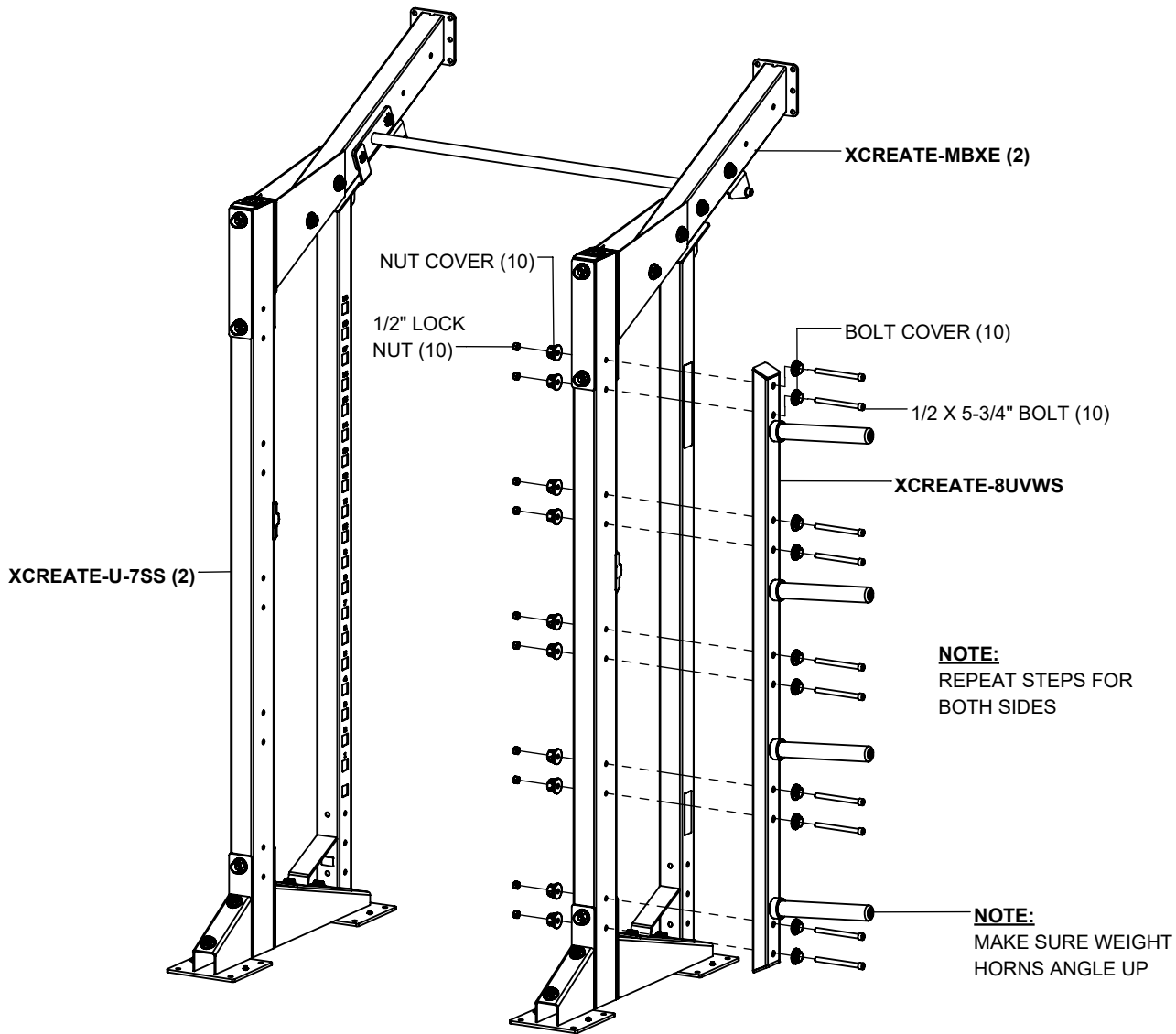
LEFT BAR
CATCH

RIGHT UPRIGHT

RIGHT BAR CATCH



8' OLYMPIC LIFTING STATION MODULE

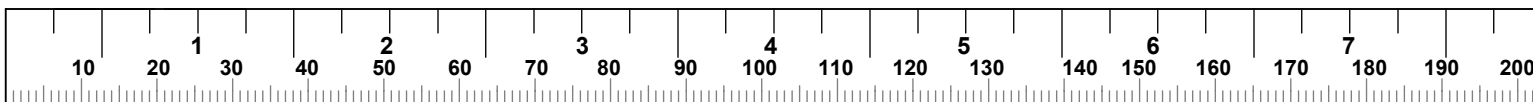


NOTES:

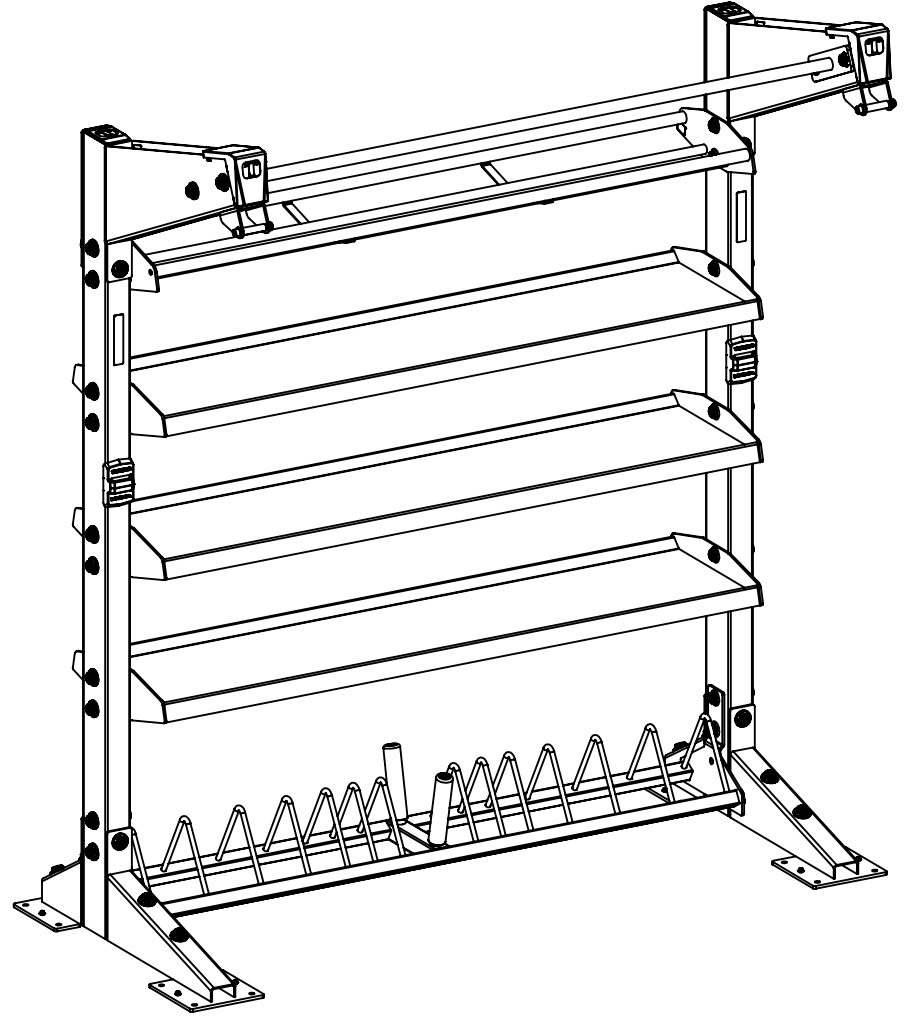
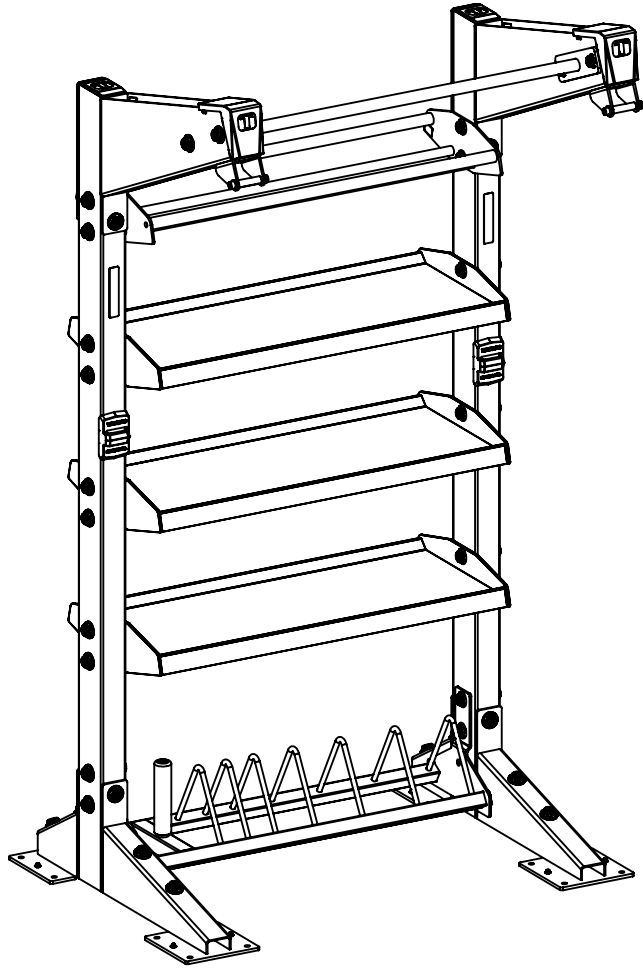
SECURELY tighten all bolt connections in this step.

REPEAT STEPS for both sides as needed.

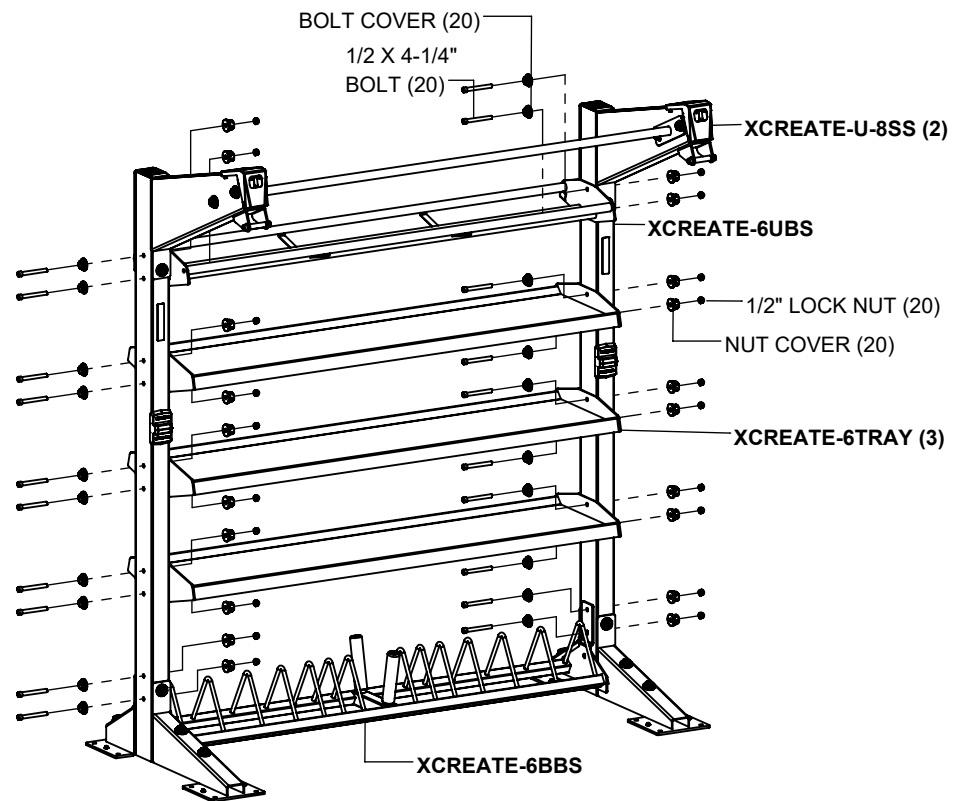
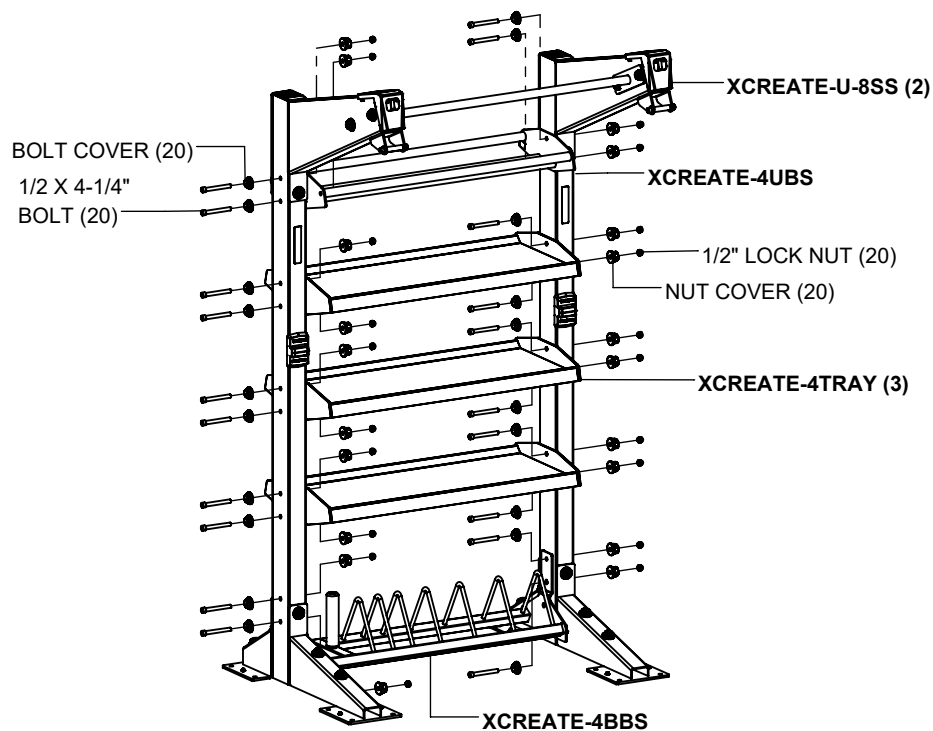
The **XCREATE-U-8SS** is assembled the exact same way.



**4' / 6' ACCESSORY & BUMPER BOOKSHELF
STORAGE MODULE**



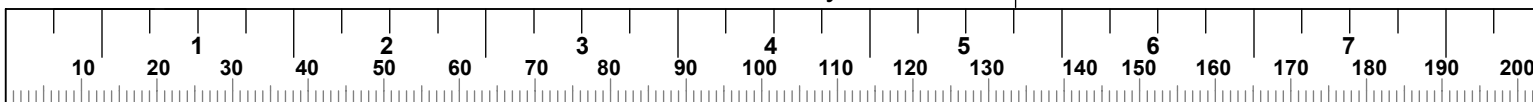
4' / 6' ACCESSORY & BUMPER BOOKSHELF STORAGE MODULE



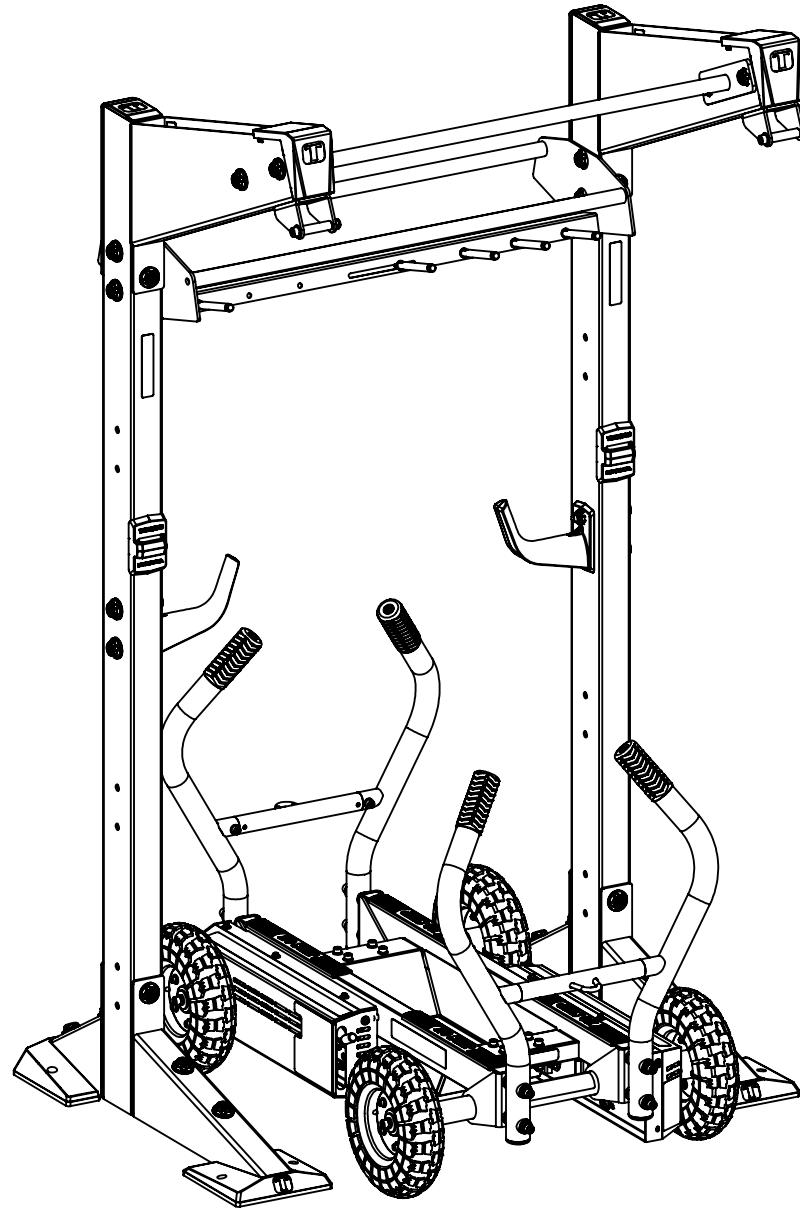
NOTES:

If more modules will be assembled, do not tighten bolts at this time. If this is the only module being assembled, then **SECURELY** tighten all bolts in this step and previous steps.

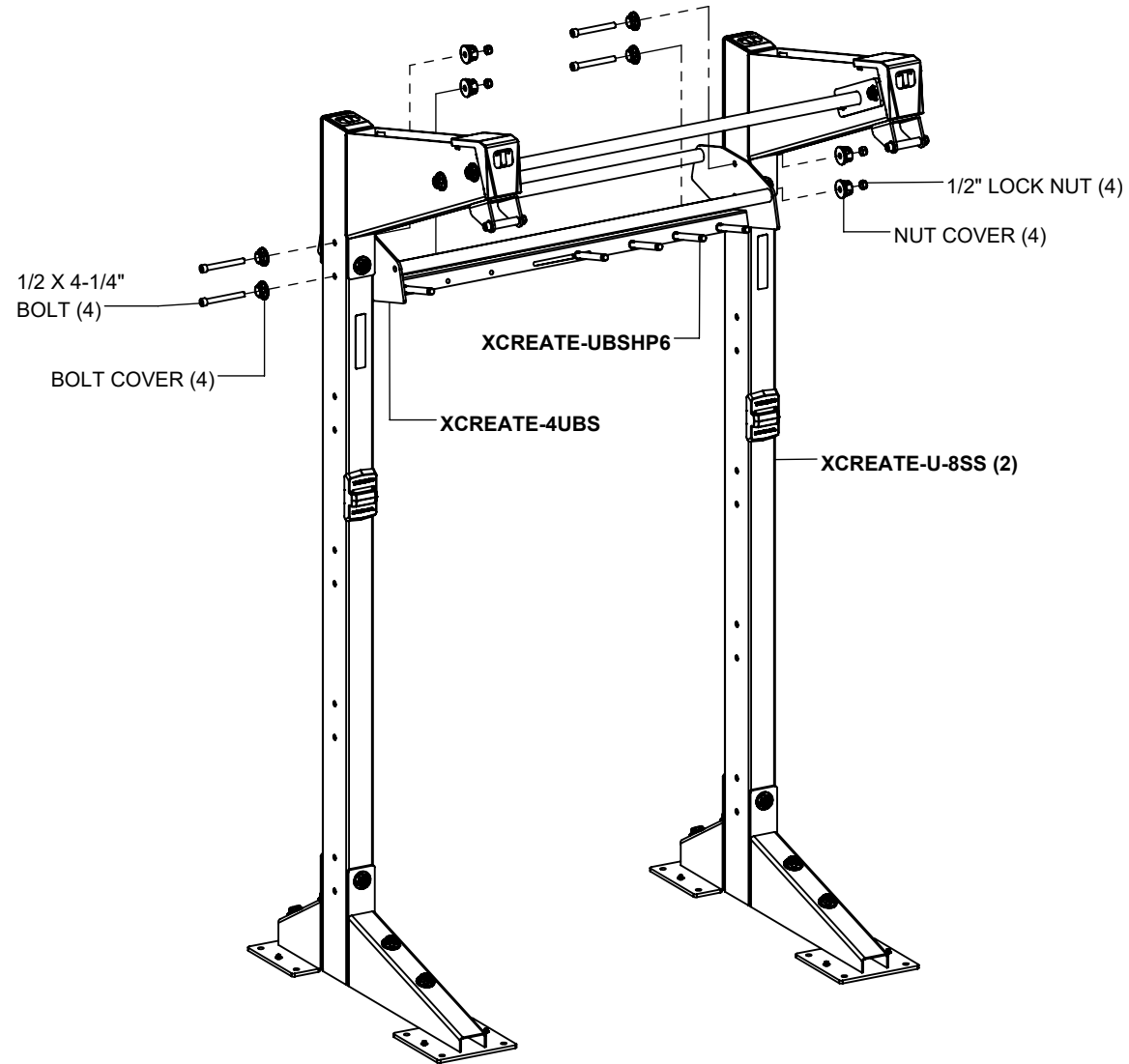
The **XCREATE-U-7SS** is assembled the exact same way.



4' TANK DOCKING MODULE



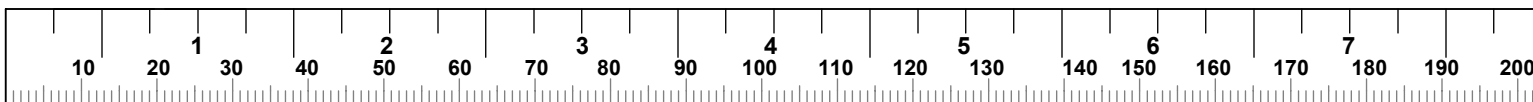
4' TANK DOCKING MODULE



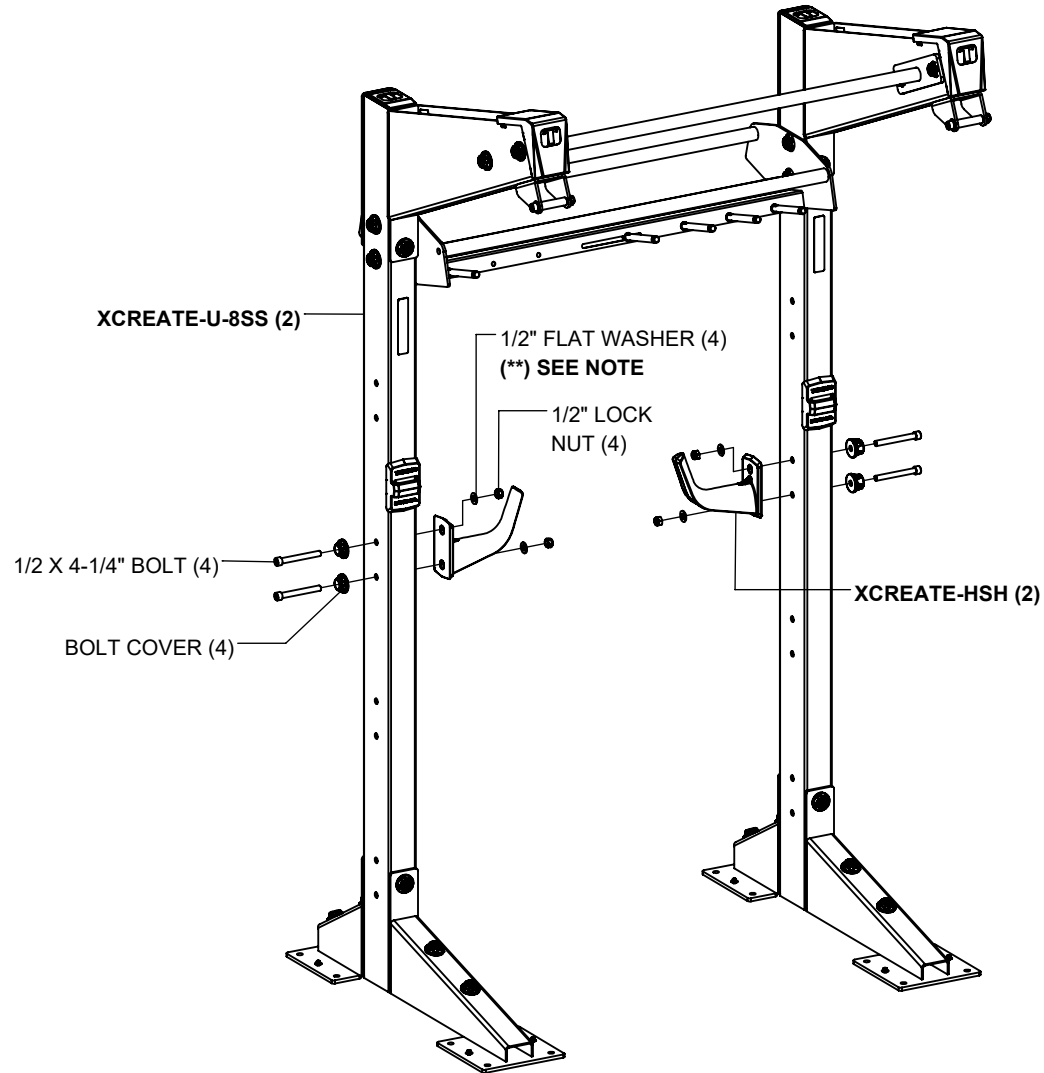
NOTES:

If more modules will be assembled, do not tighten bolts at this time.
If this is the only module being assembled, then **SECURELY** tighten all bolts in this step and previous steps.

The **XCREATE-U-7SS** is assembled the exact same way.



4' TANK DOCKING MODULE

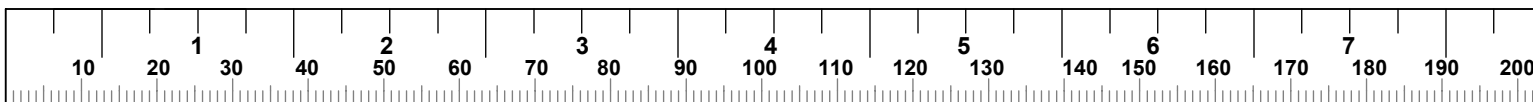


NOTES:

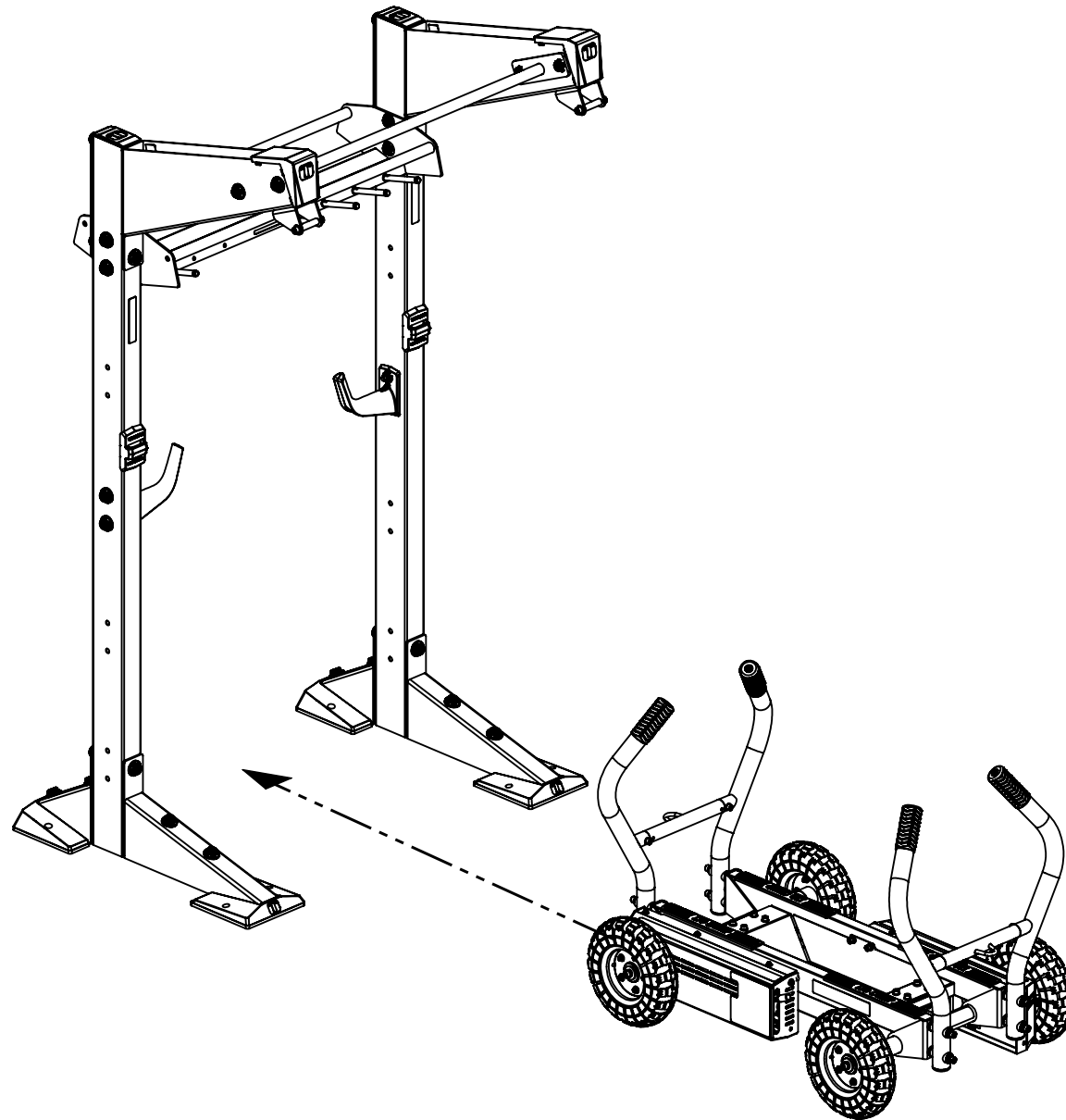
SECURELY tighten all bolt connections in this step.

(**) HARDWARE COVER **CANNOT** be used on **HSH** side.

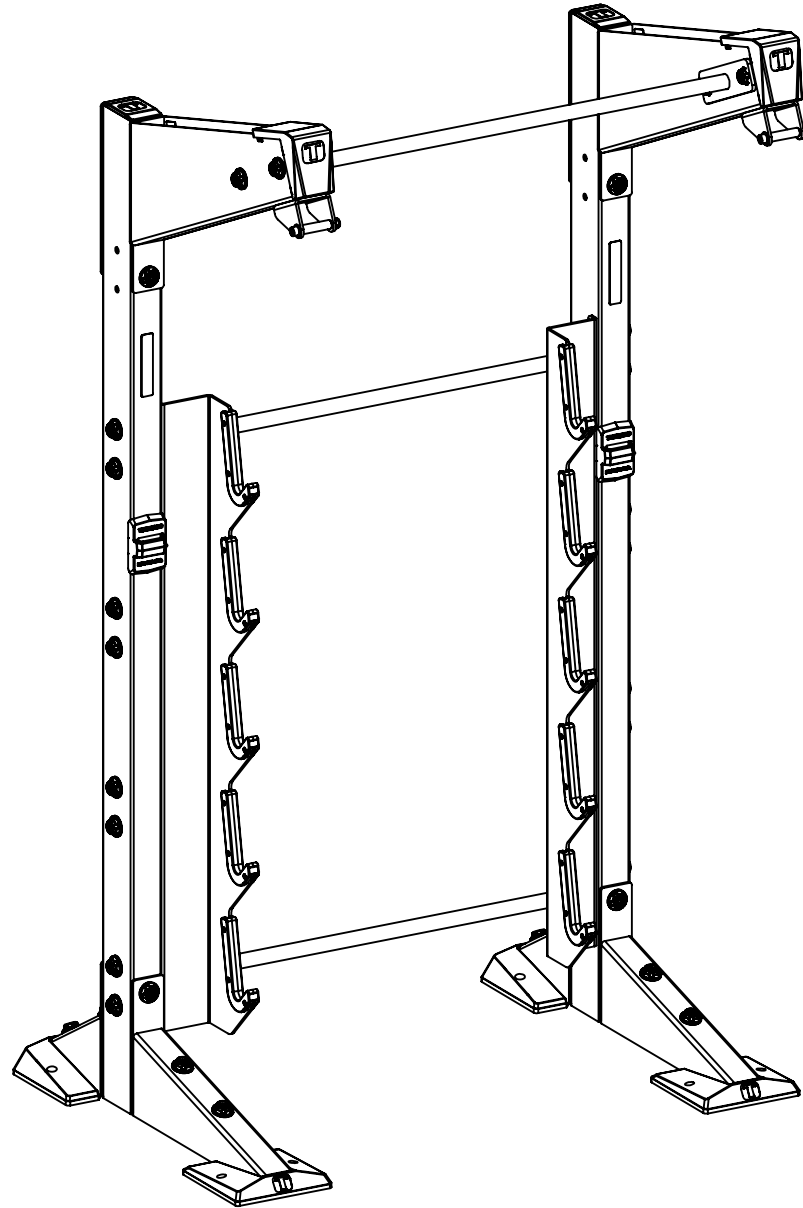
The **XCREATE-U-7SS** is assembled the exact same way.



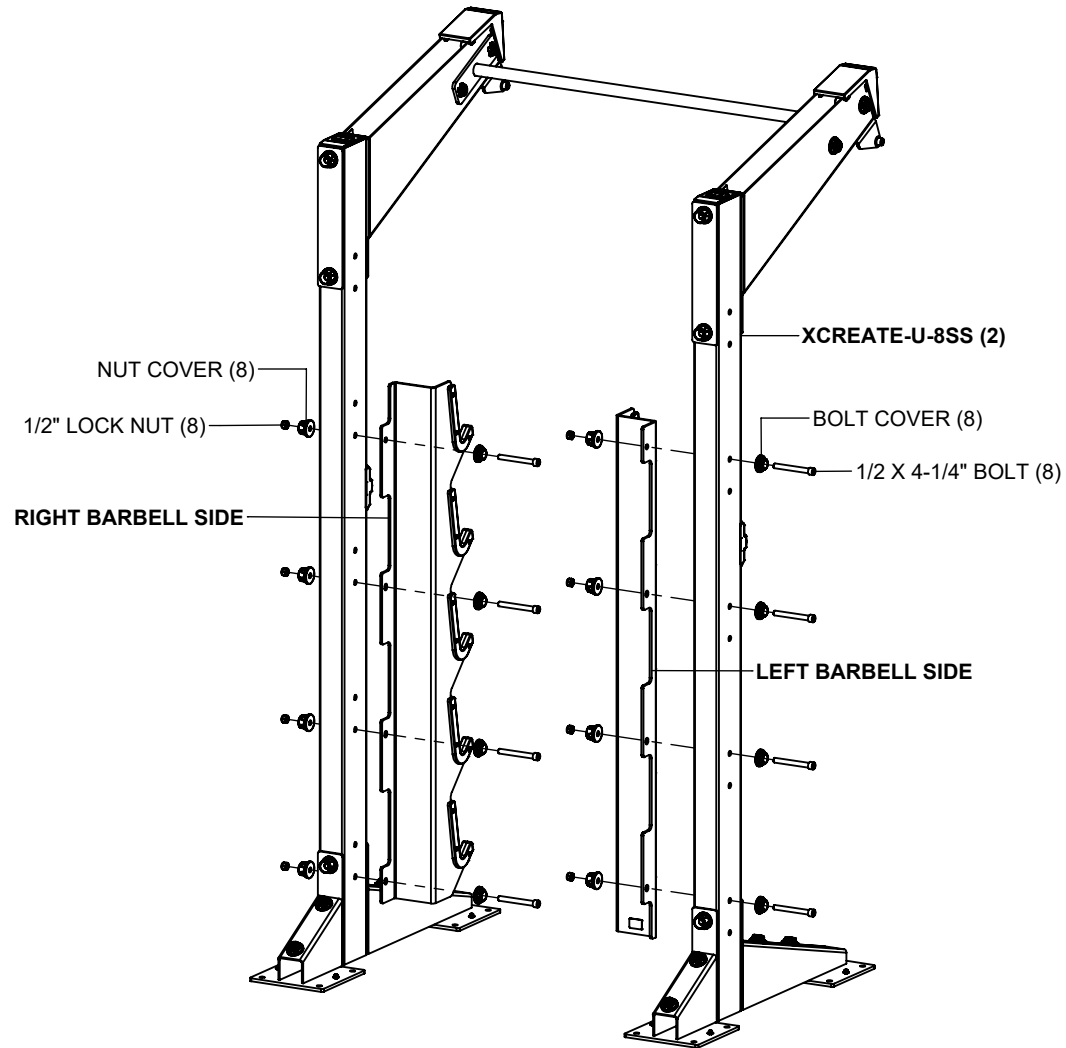
4' TANK DOCKING MODULE



4' X 5' BARBELL STORAGE MODULE



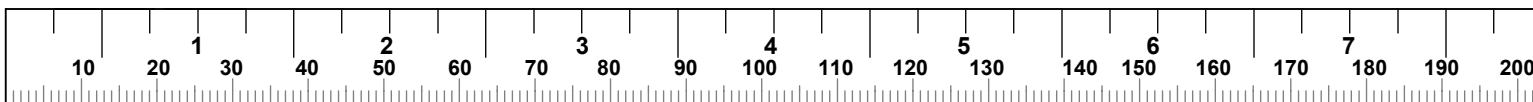
4' X 5 BARBELL STORAGE MODULE (WITHOUT CONNECTOR)



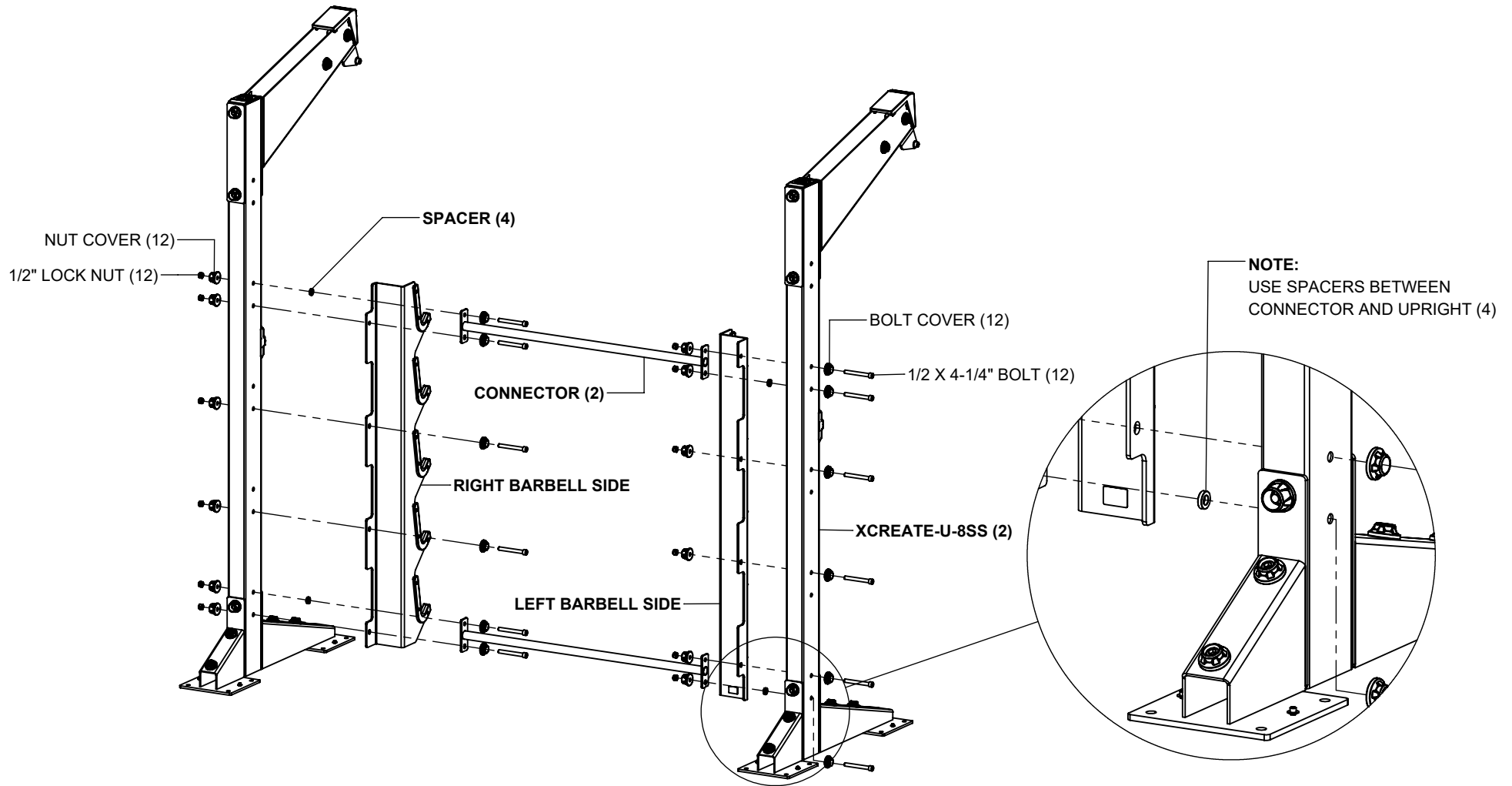
NOTES:

If more modules will be assembled, do not tighten bolts at this time.
If this is the only module being assembled, then **SECURELY** tighten all bolts in this step and previous steps.

The **XCREATE-U-7SS** is assembled the exact same way.



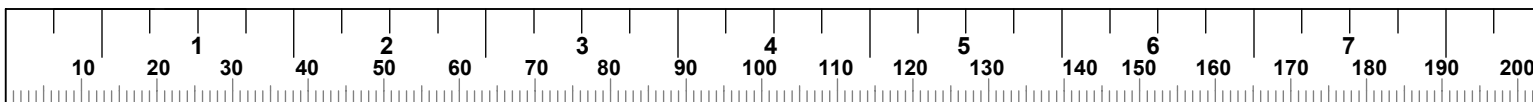
4' X 5' BARBELL STORAGE MODULE (WITH CONNECTOR)



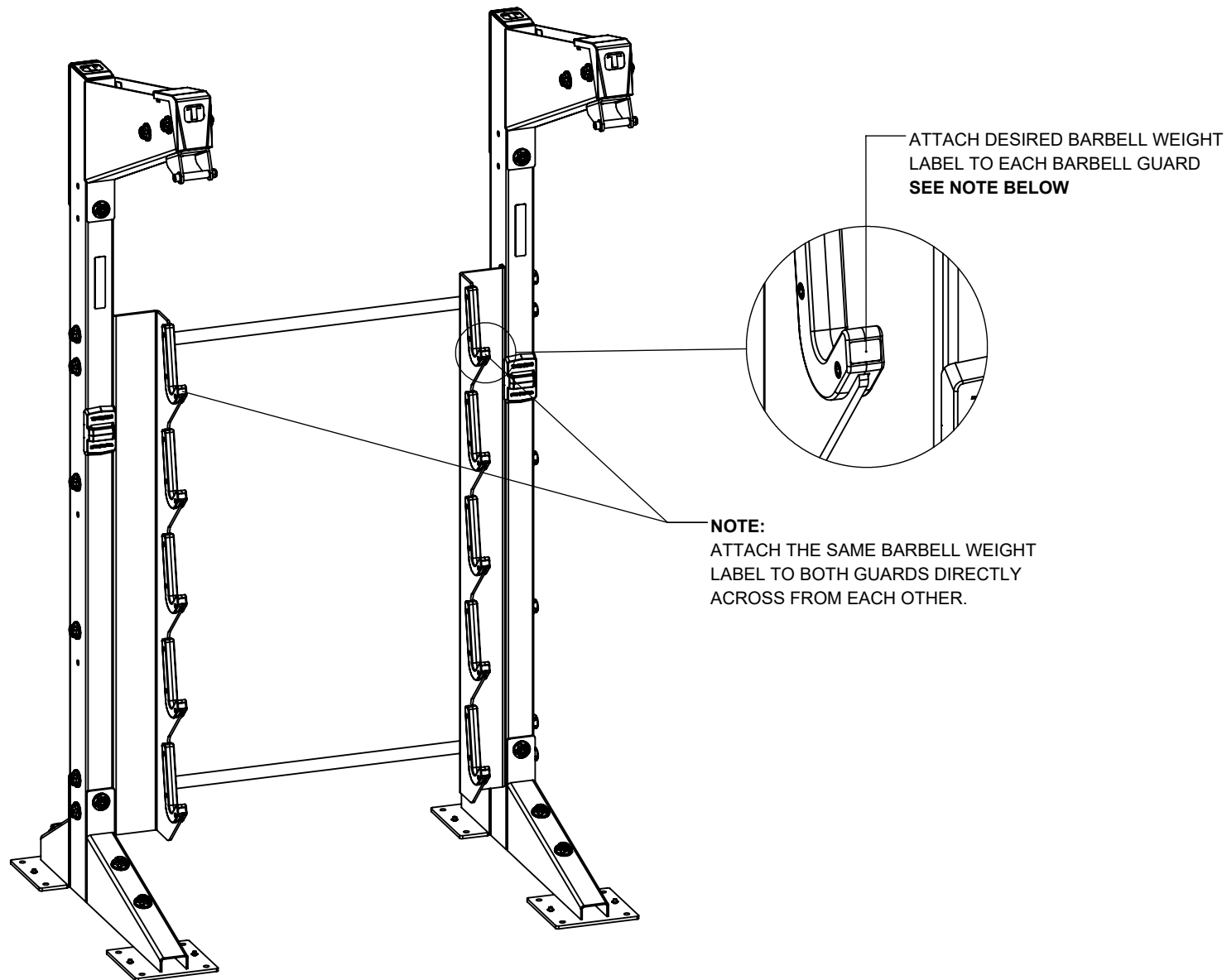
NOTES:

If more modules will be assembled, do not tighten bolts at this time.
If this is the only module being assembled, then **SECURELY** tighten all bolts in this step and previous steps.

The **XCREATE-U-7SS** is assembled the exact same way.



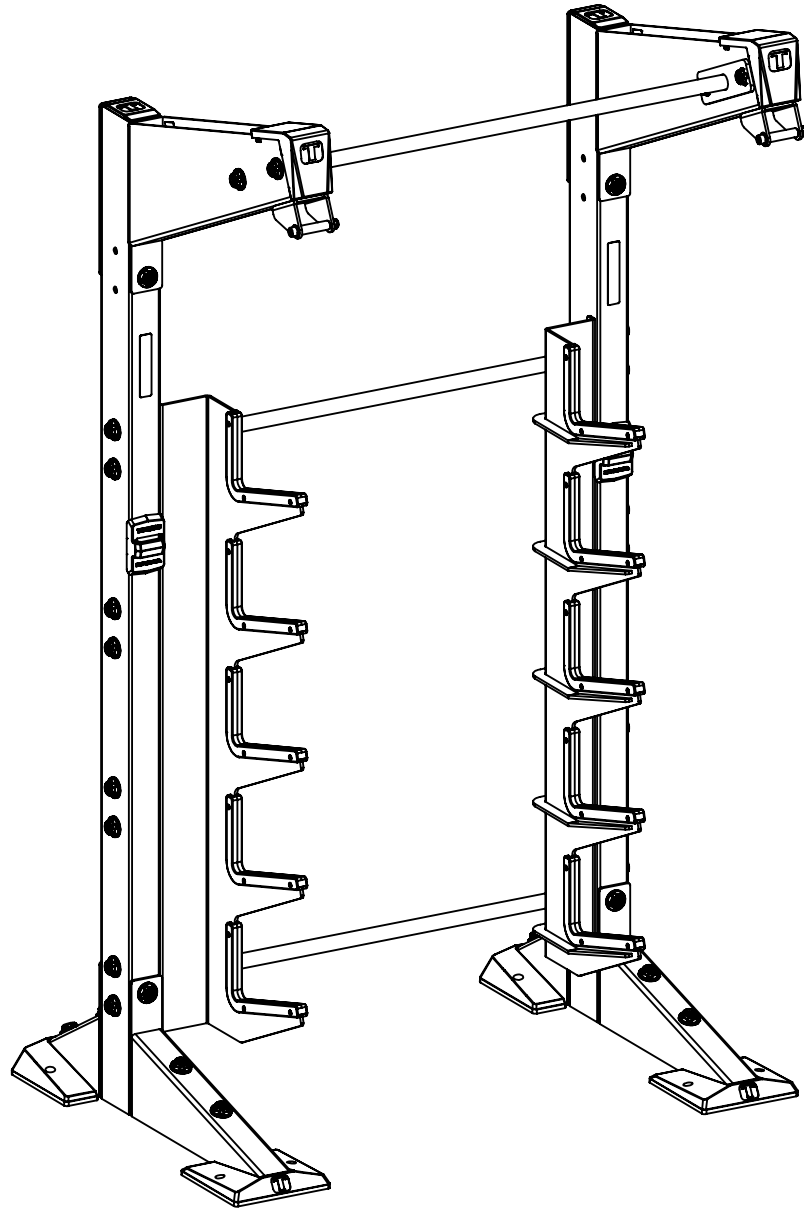
4' X 5 BARBELL STORAGE MODULE



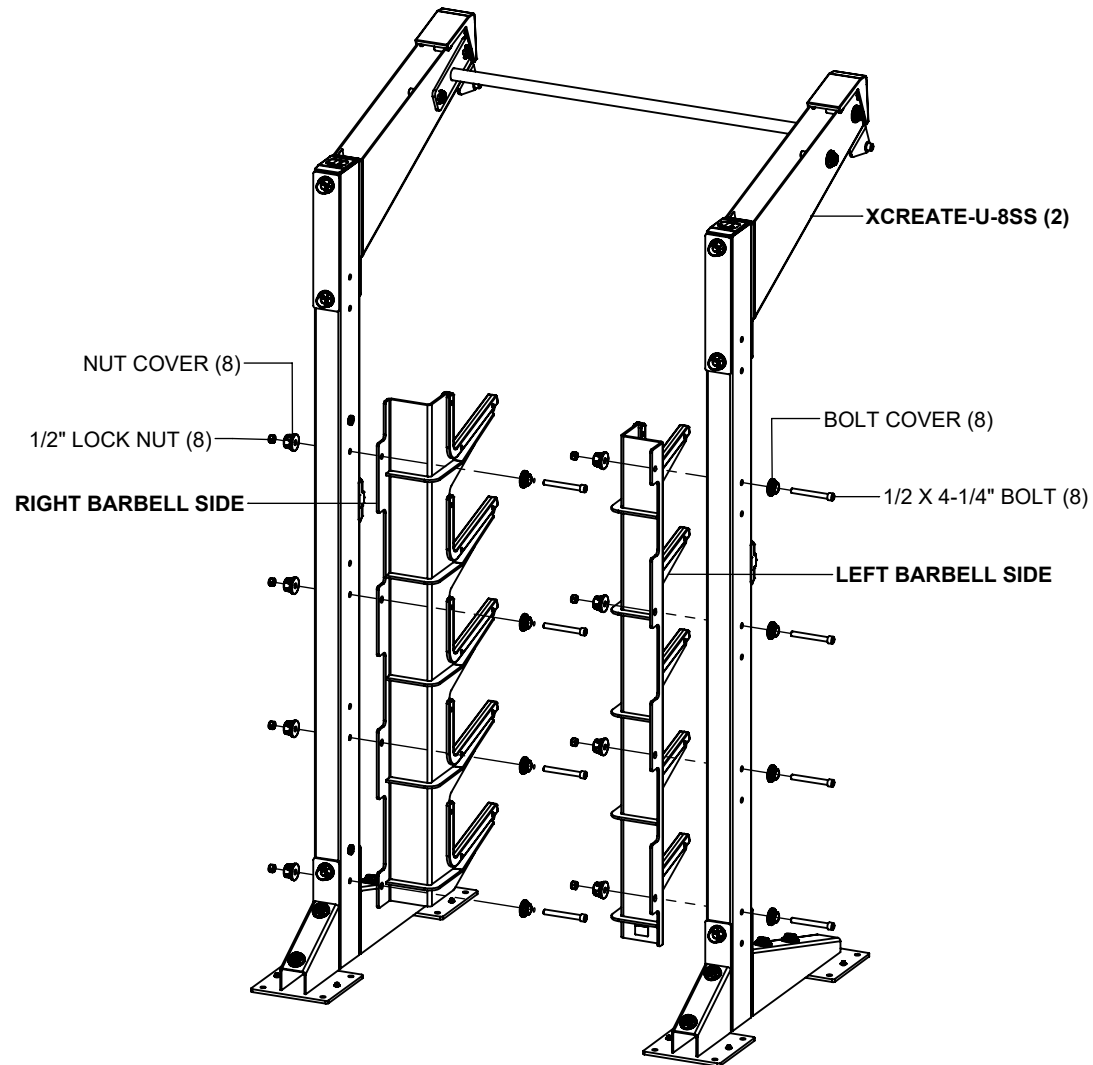
NOTE:

If you are a professional contractor installing this system for a facility, leave these labels and instruction with manager or inquire what label to attach to each barbell guard.

4' X 10 BARBELL STORAGE MODULE



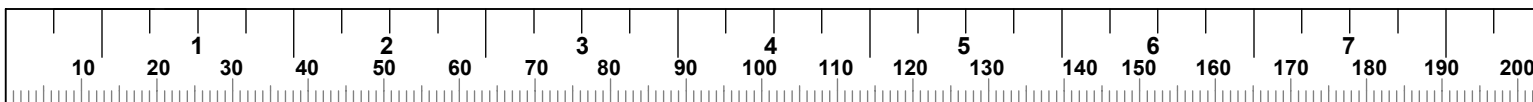
4' X 10 BARBELL STORAGE MODULE (WITHOUT CONNECTOR)



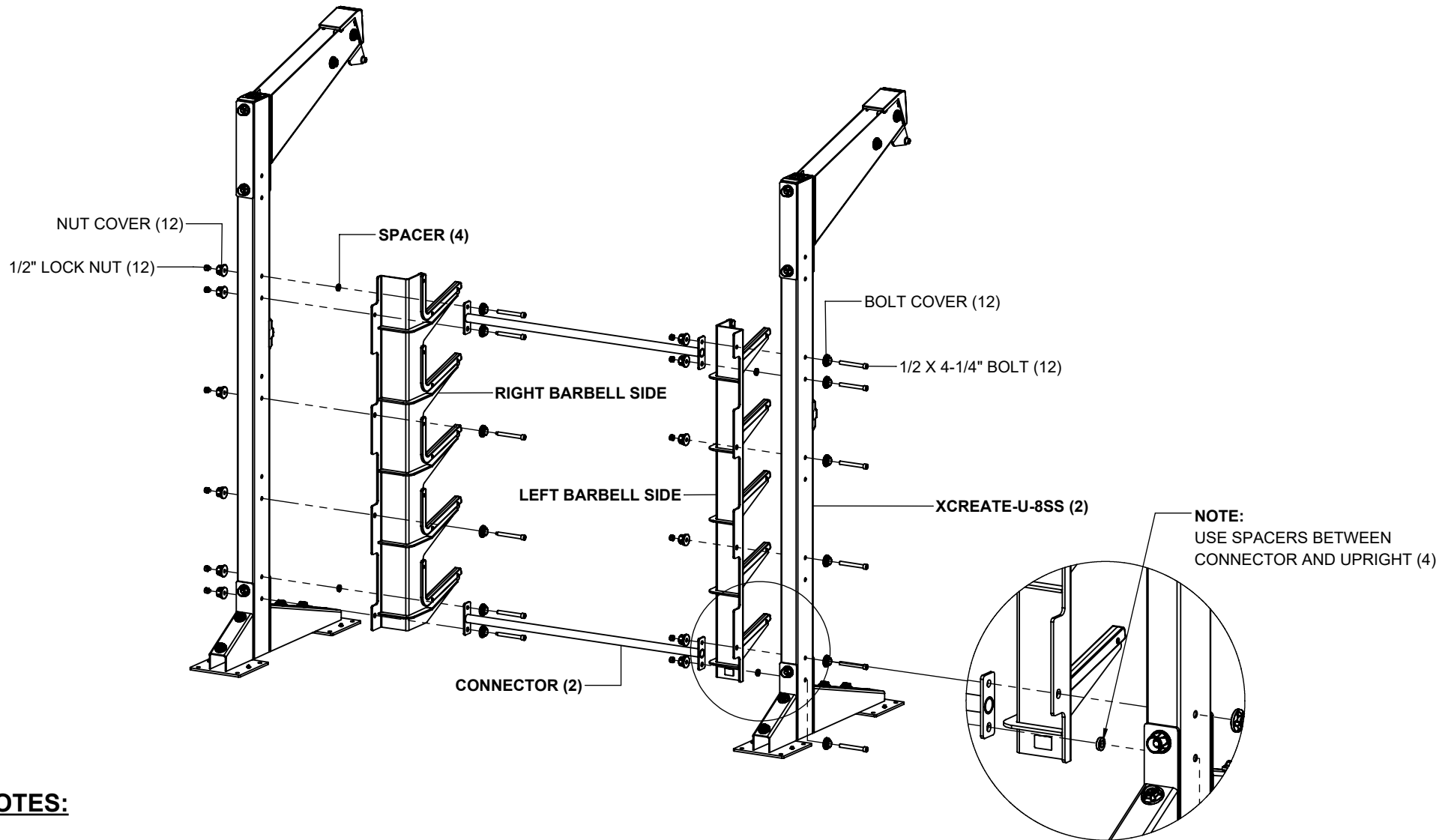
NOTES:

If more modules will be assembled, do not tighten bolts at this time.
If this is the only module being assembled, then **SECURELY** tighten all bolts in this step and previous steps.

The **XCREATE-U-7SS** is assembled the exact same way.



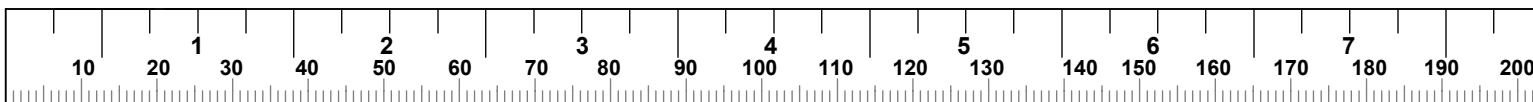
4' X 10 BARBELL STORAGE MODULE (WITH CONNECTOR)



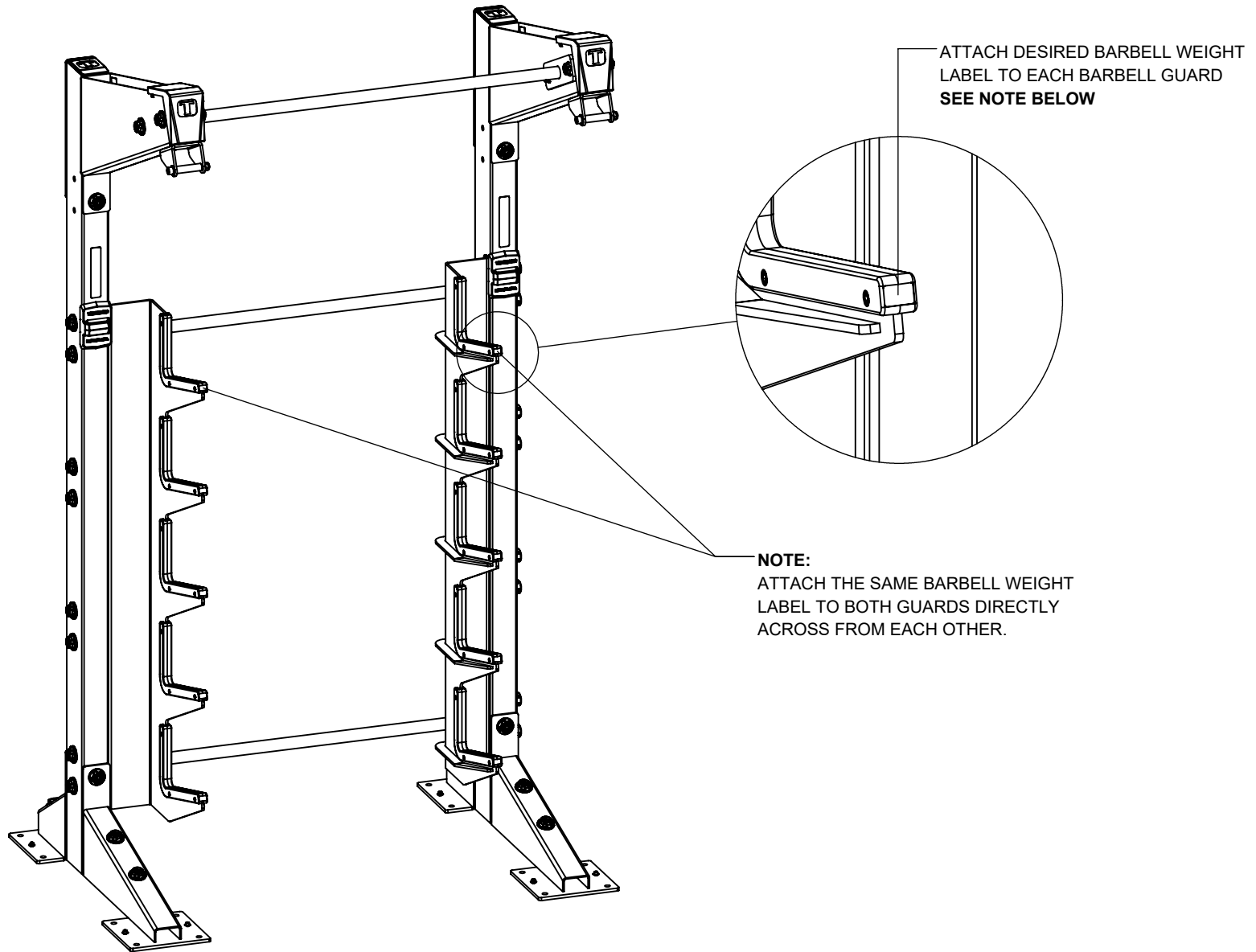
NOTES:

If more modules will be assembled, do not tighten bolts at this time.
If this is the only module being assembled, then **SECURELY** tighten all bolts in this step and previous steps.

The **XCREATE-U-7SS** is assembled the exact same way.



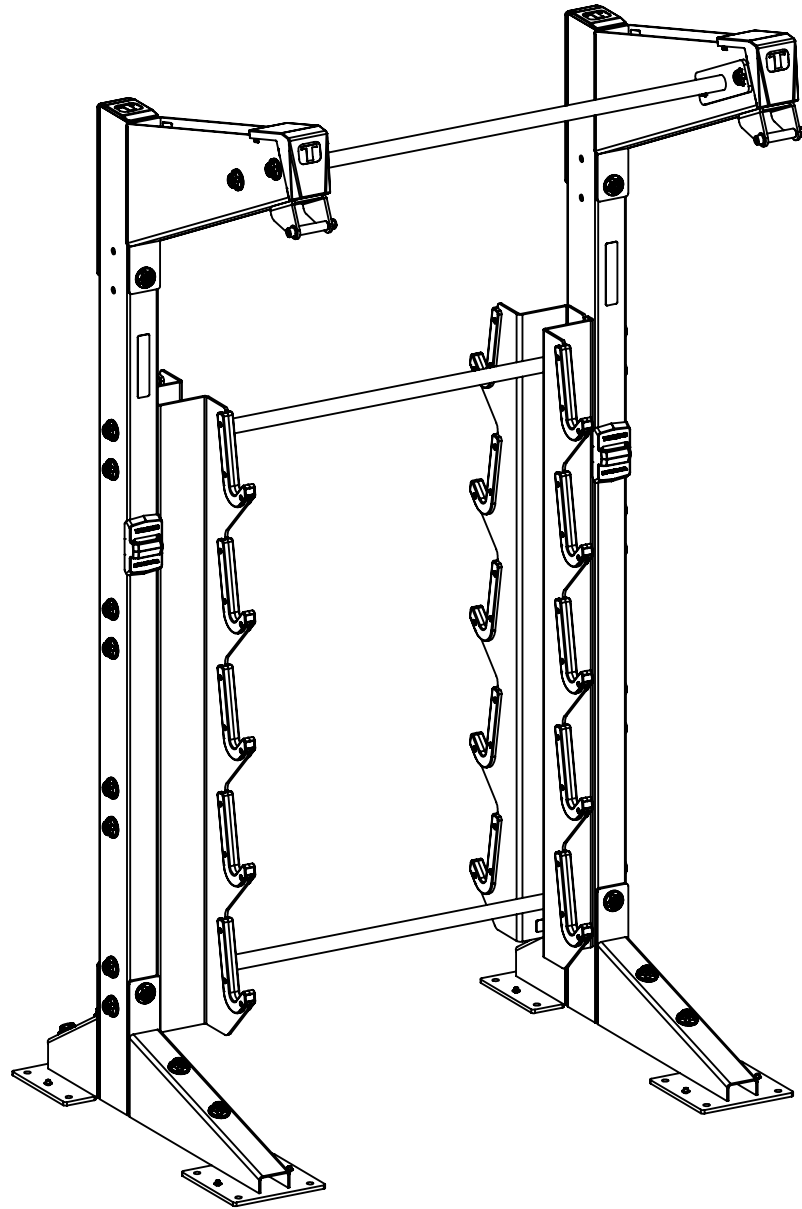
4' X 10 BARBELL STORAGE MODULE



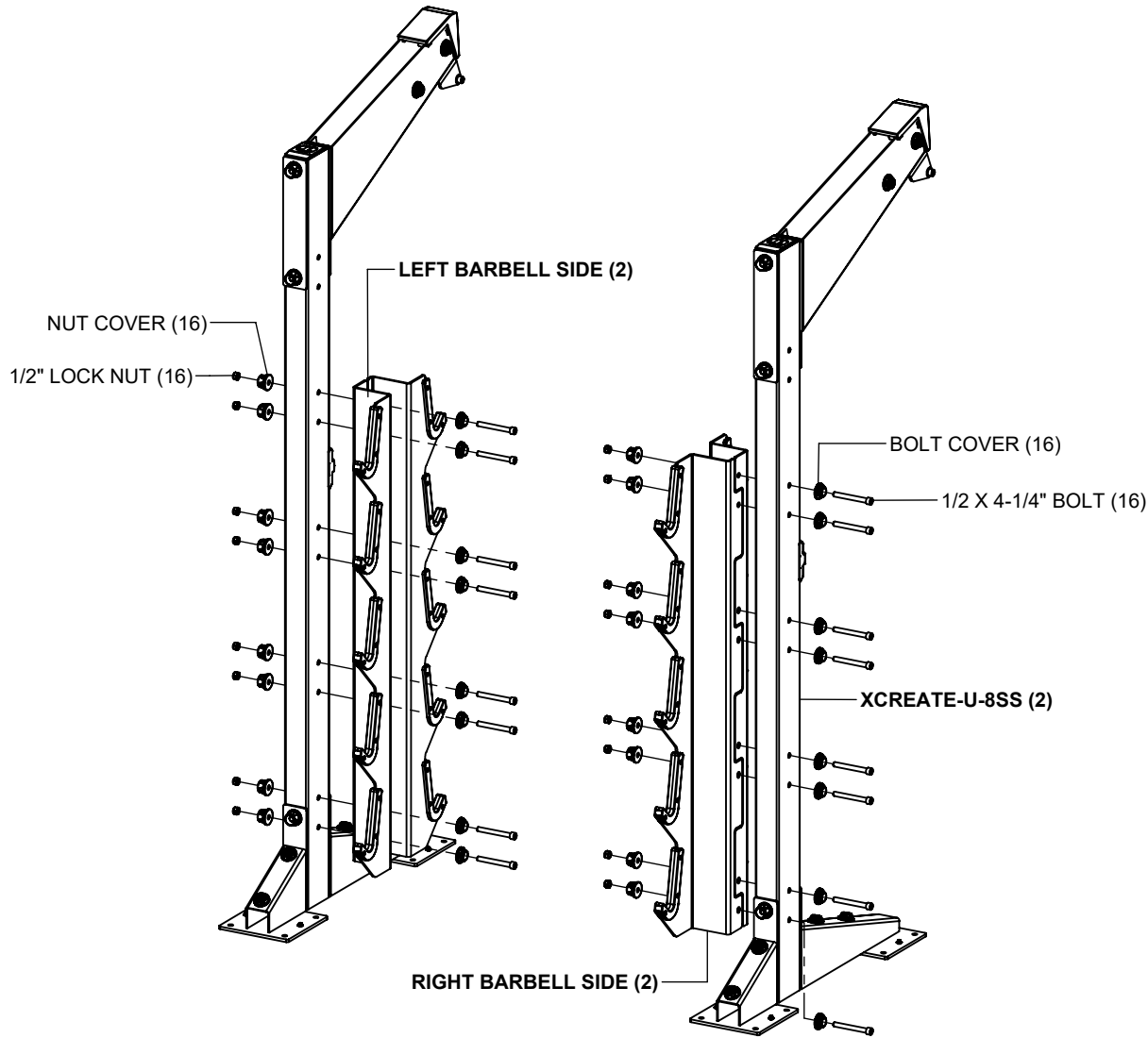
NOTE:

If you are a professional contractor installing this system for a facility, leave these labels and instruction with manager or inquire what label to attach to each barbell guard.

4' 2 SIDED X 10 BARBELL STORAGE MODULE



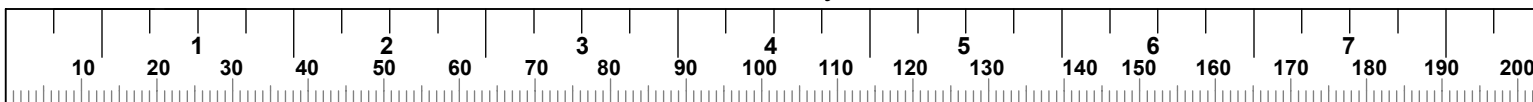
4' 2 SIDED X 10 BARBELL STORAGE MODULE (WITHOUT CONNECTOR)



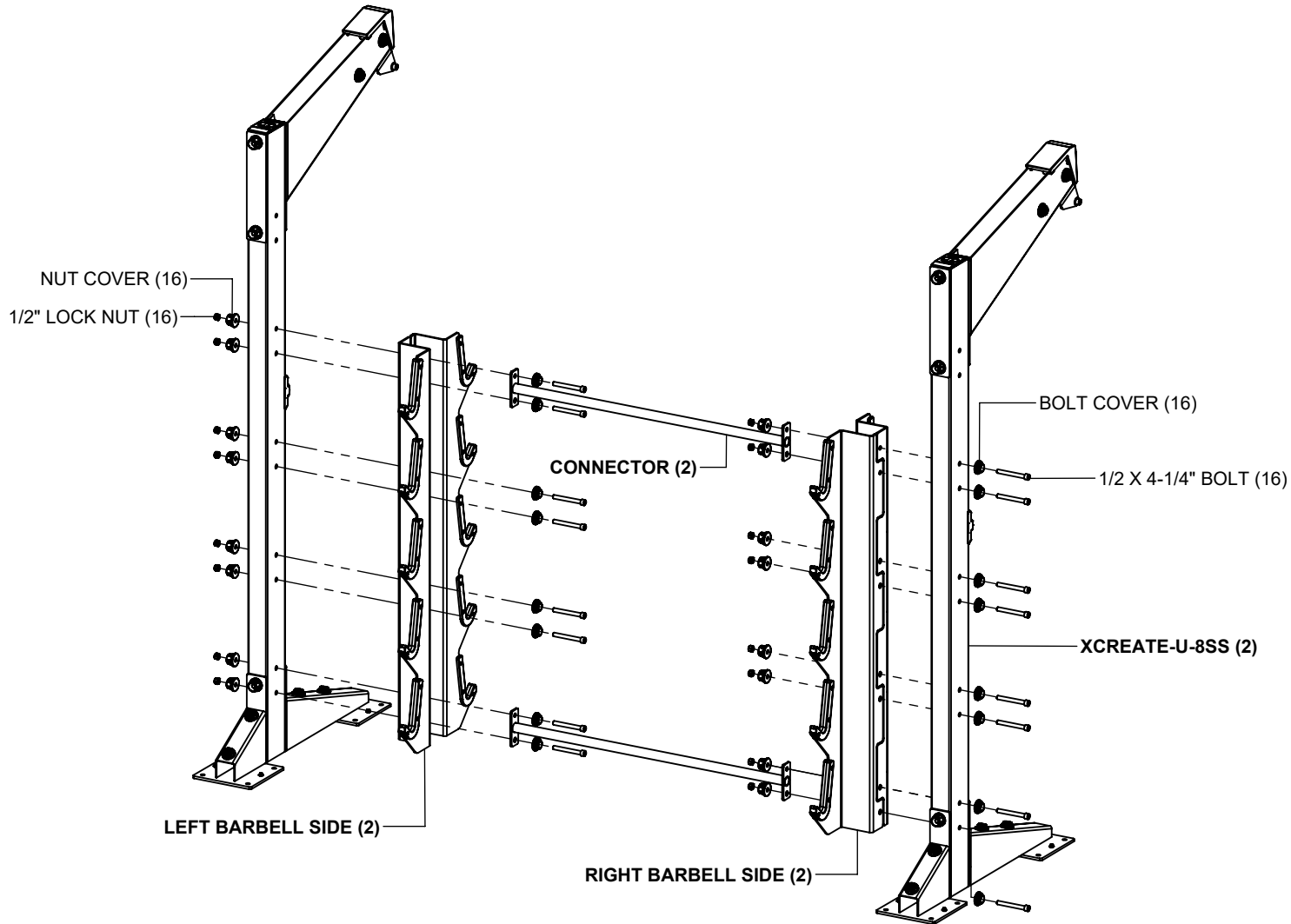
NOTES:

If more modules will be assembled, do not tighten bolts at this time.
If this is the only module being assembled, then **SECURELY** tighten all bolts in this step and previous steps.

The **XCREATE-U-7SS** is assembled the exact same way.



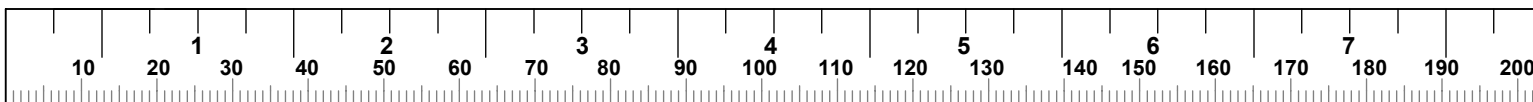
**4' 2 SIDED X 10 BARBELL STORAGE MODULE
(WITH CONNECTOR)**



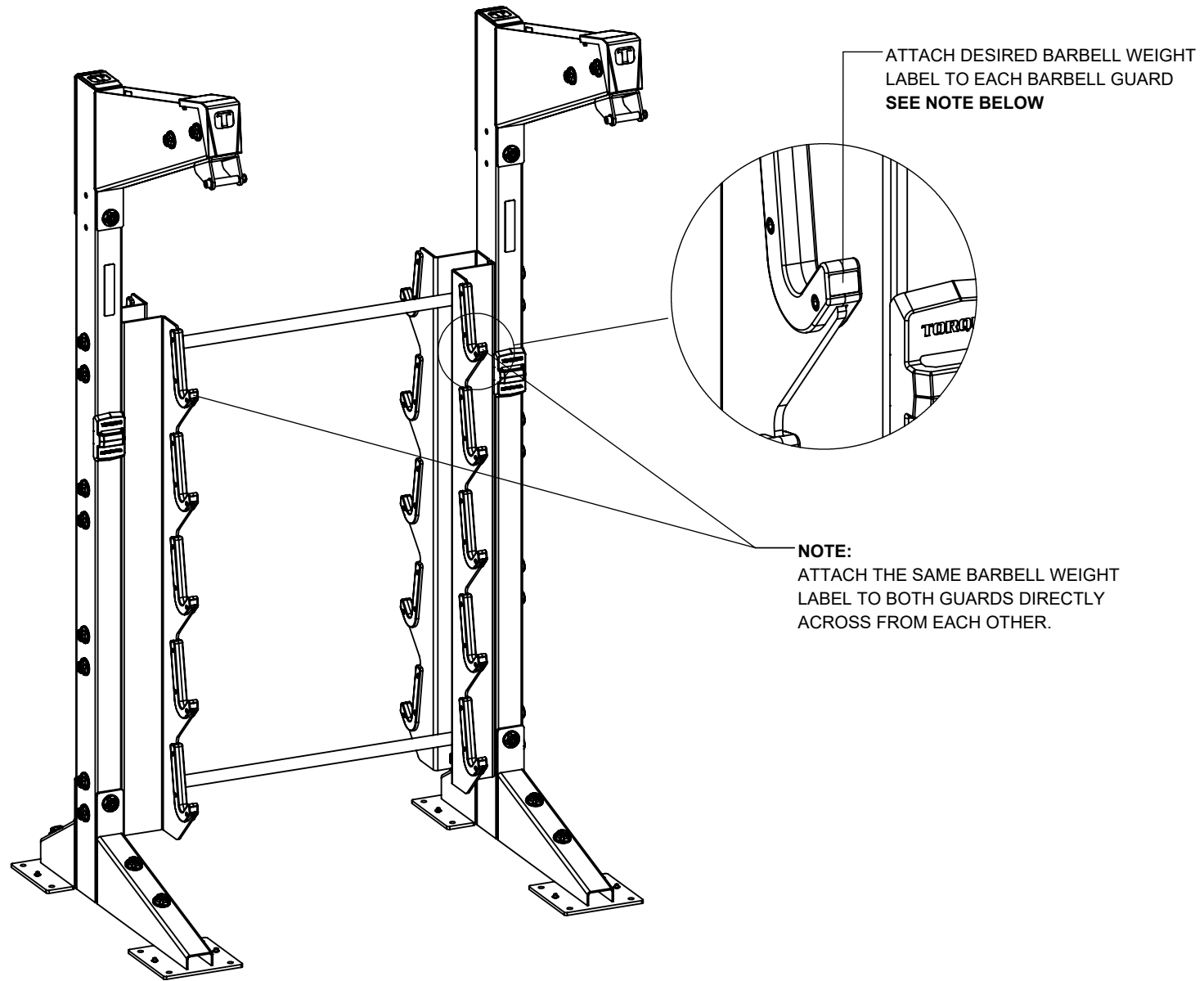
NOTES:

If more modules will be assembled, do not tighten bolts at this time.
If this is the only module being assembled, then **SECURELY** tighten all bolts in this step and previous steps.

The **XCREATE-U-7SS** is assembled the exact same way.



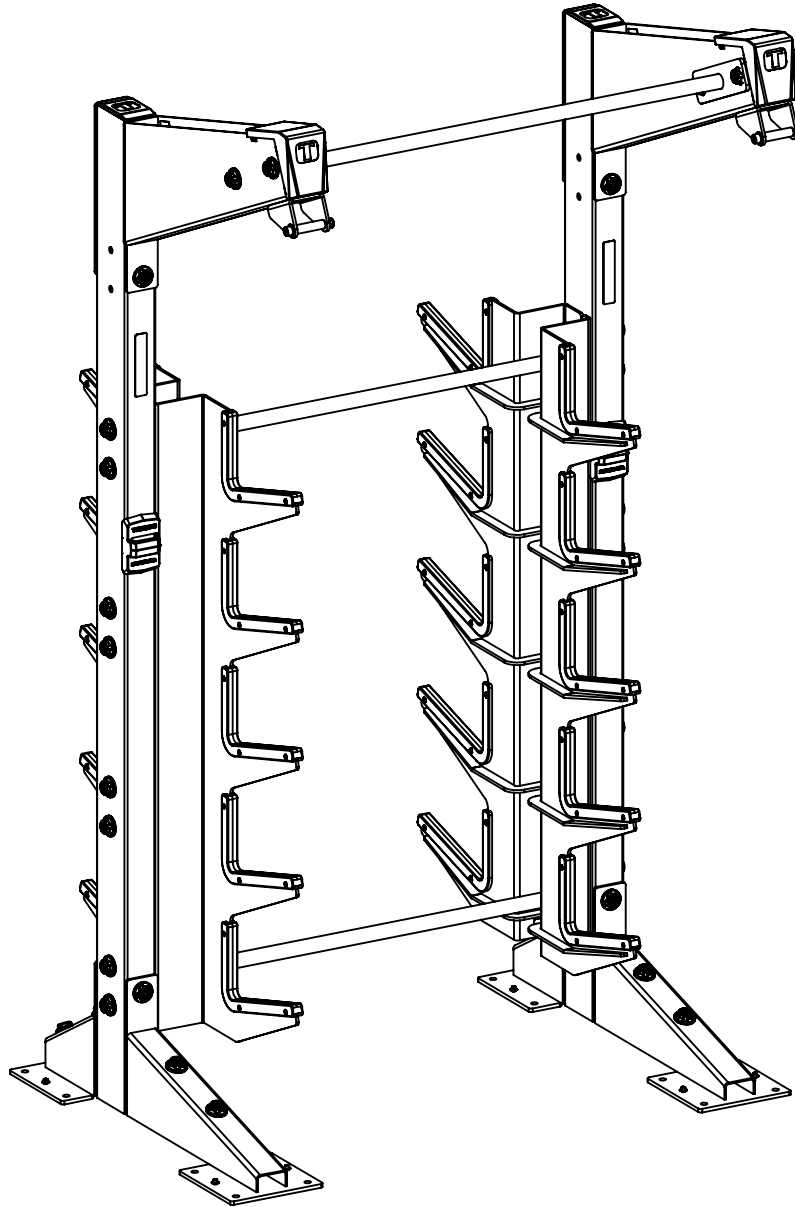
4' 2 SIDED X 10 BARBELL STORAGE MODULE



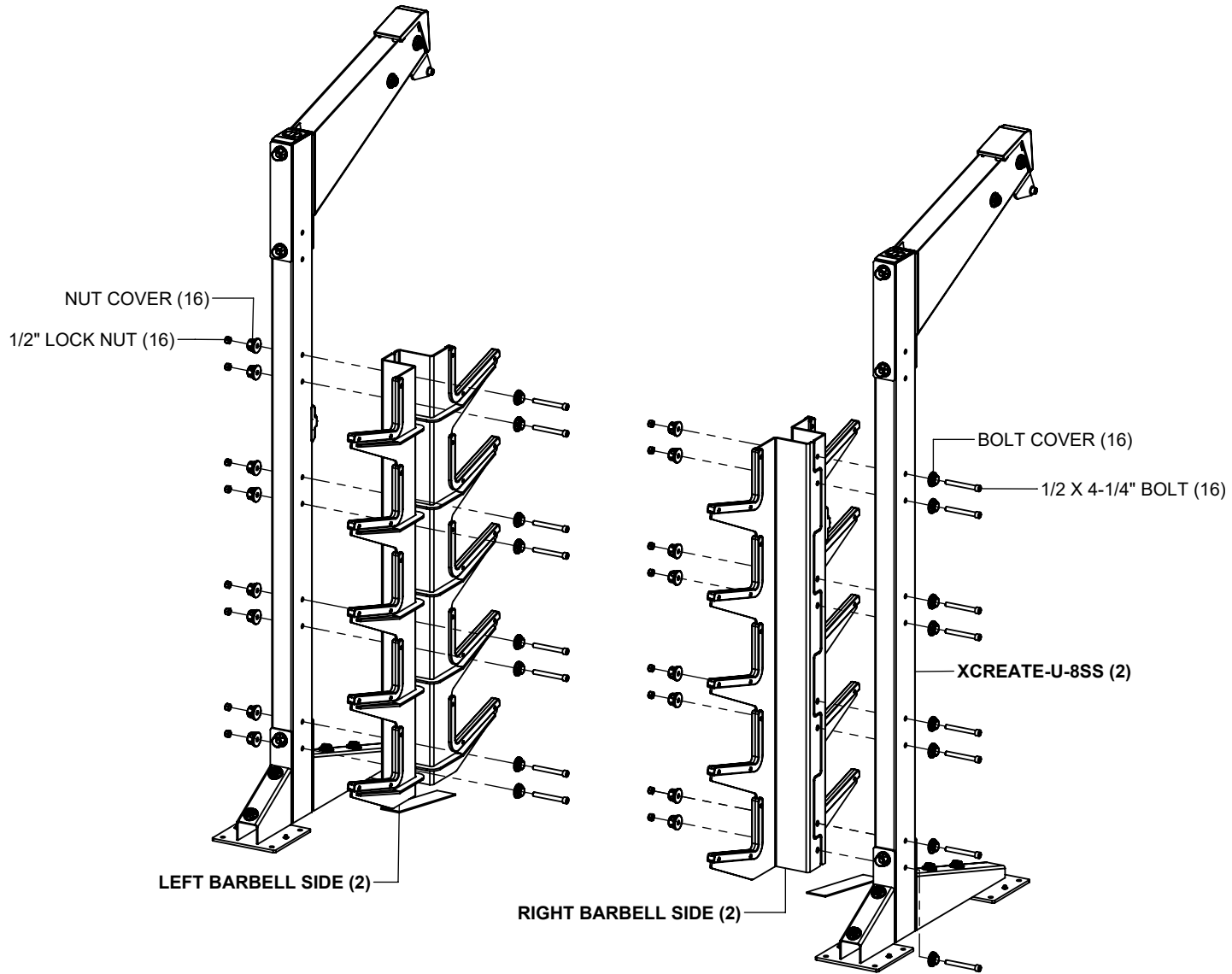
NOTE:

If you are a professional contractor installing this system for a facility, leave these labels and instruction with manager or inquire what label to attach to each barbell guard.

4' 2 SIDED X 20 BARBELL STORAGE MODULE



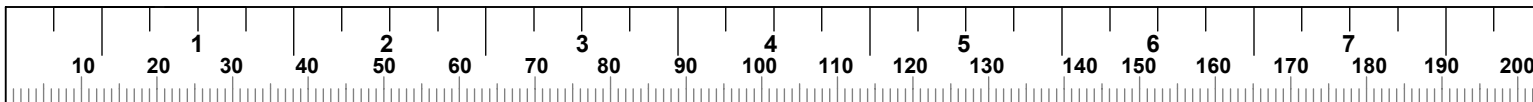
**4' 2 SIDED X 20 BARBELL STORAGE MODULE
(WITHOUT CONNECTOR)**



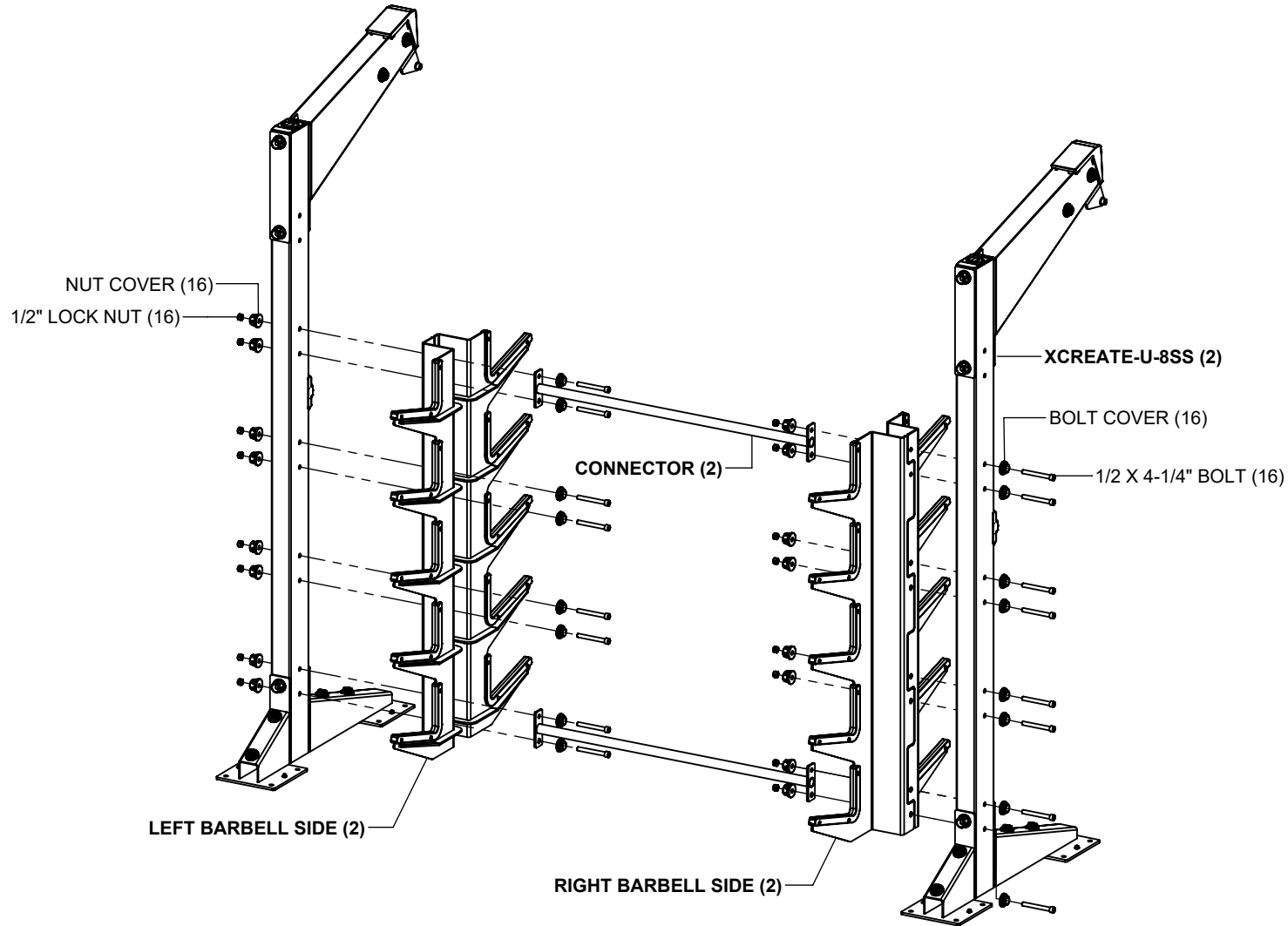
NOTES:

If more modules will be assembled, do not tighten bolts at this time.
If this is the only module being assembled, then **SECURELY** tighten all bolts in this step and previous steps.

The **XCREATE-U-7SS** is assembled the exact same way.



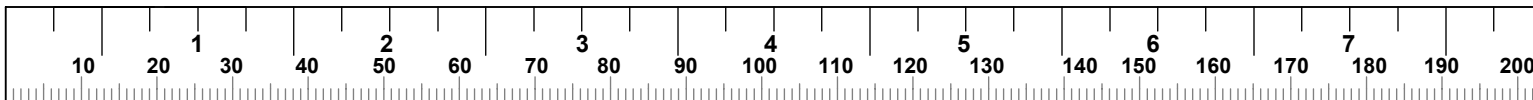
**4' 2 SIDED X 20 BARBELL STORAGE MODULE
(WITH CONNECTOR)**



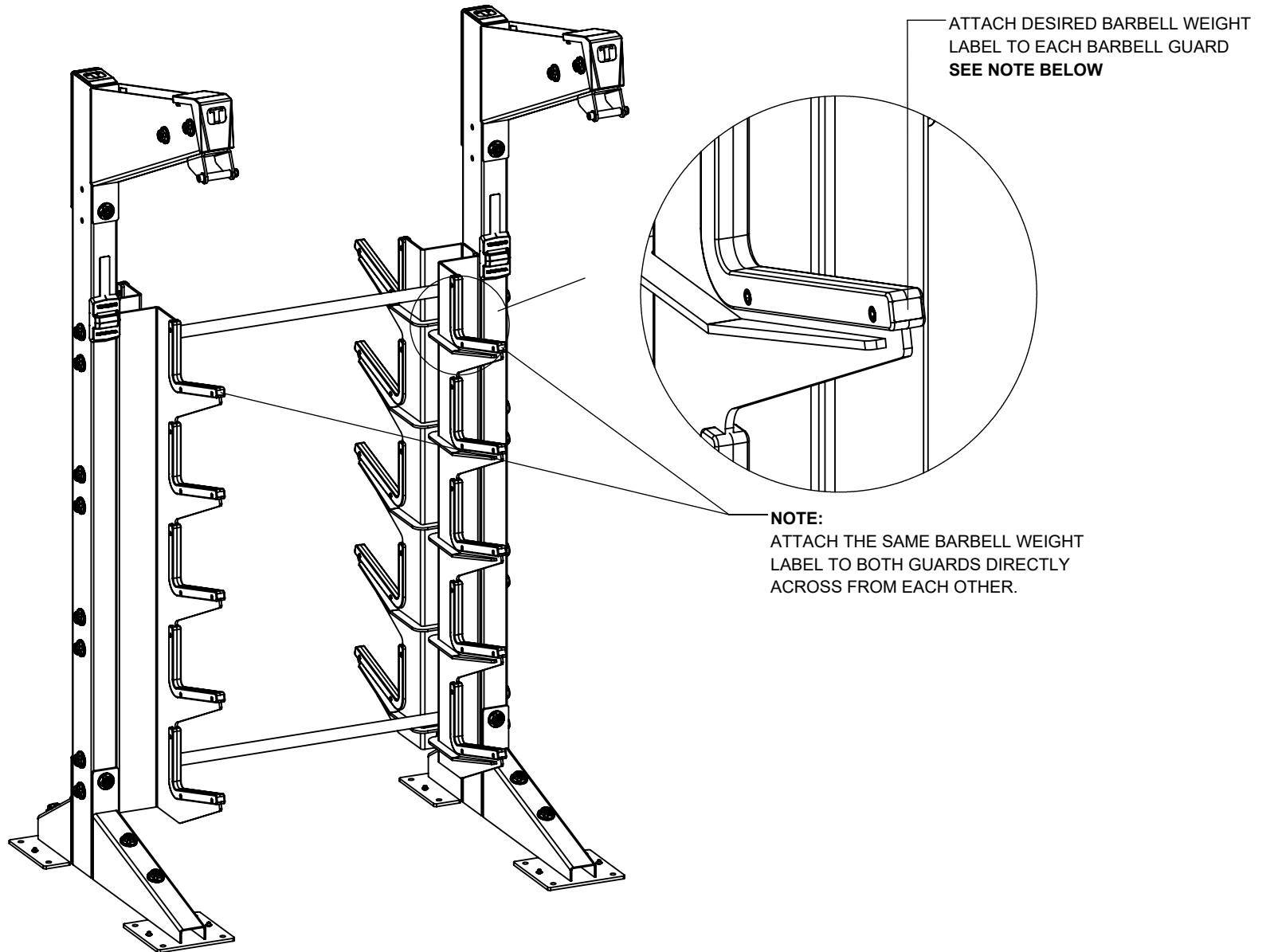
NOTES:

If more modules will be assembled, do not tighten bolts at this time.
If this is the only module being assembled, then **SECURELY** tighten all bolts in this step and previous steps.

The **XCREATE-U-7SS** is assembled the exact same way.



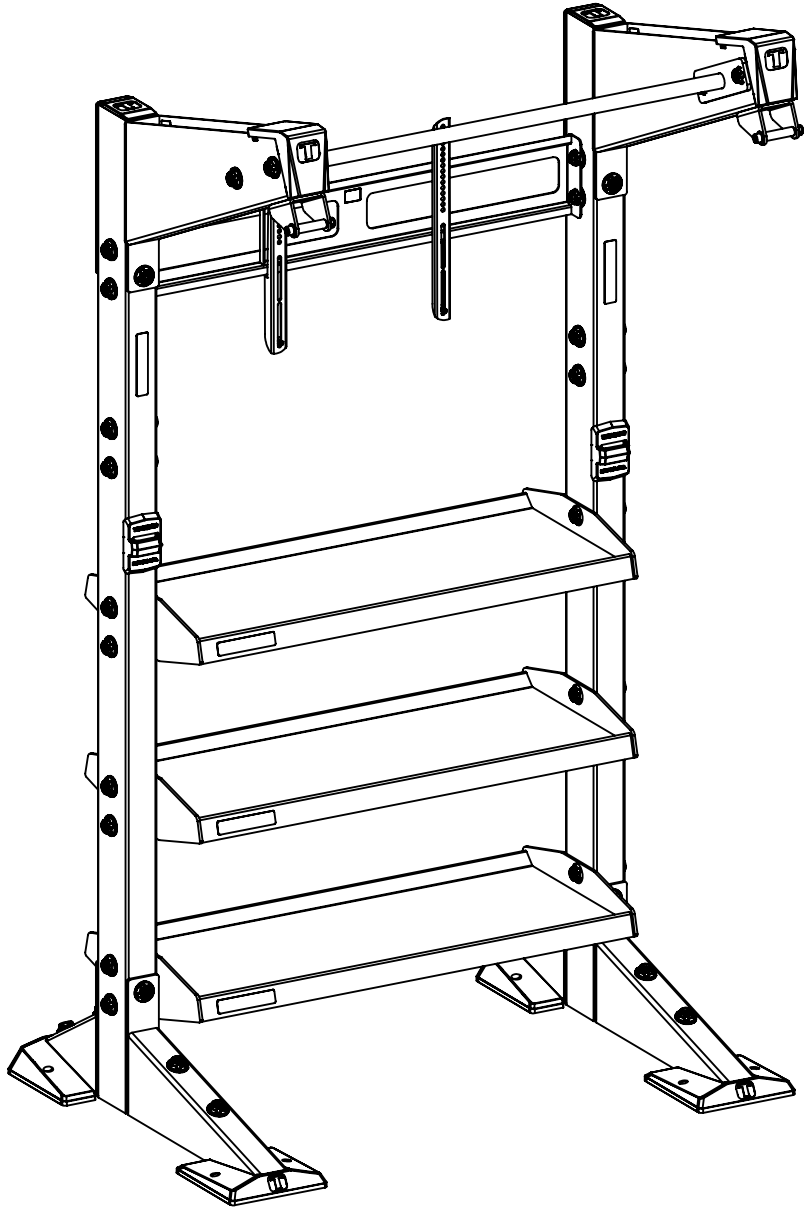
4' 2 SIDED X 10 BARBELL STORAGE MODULE



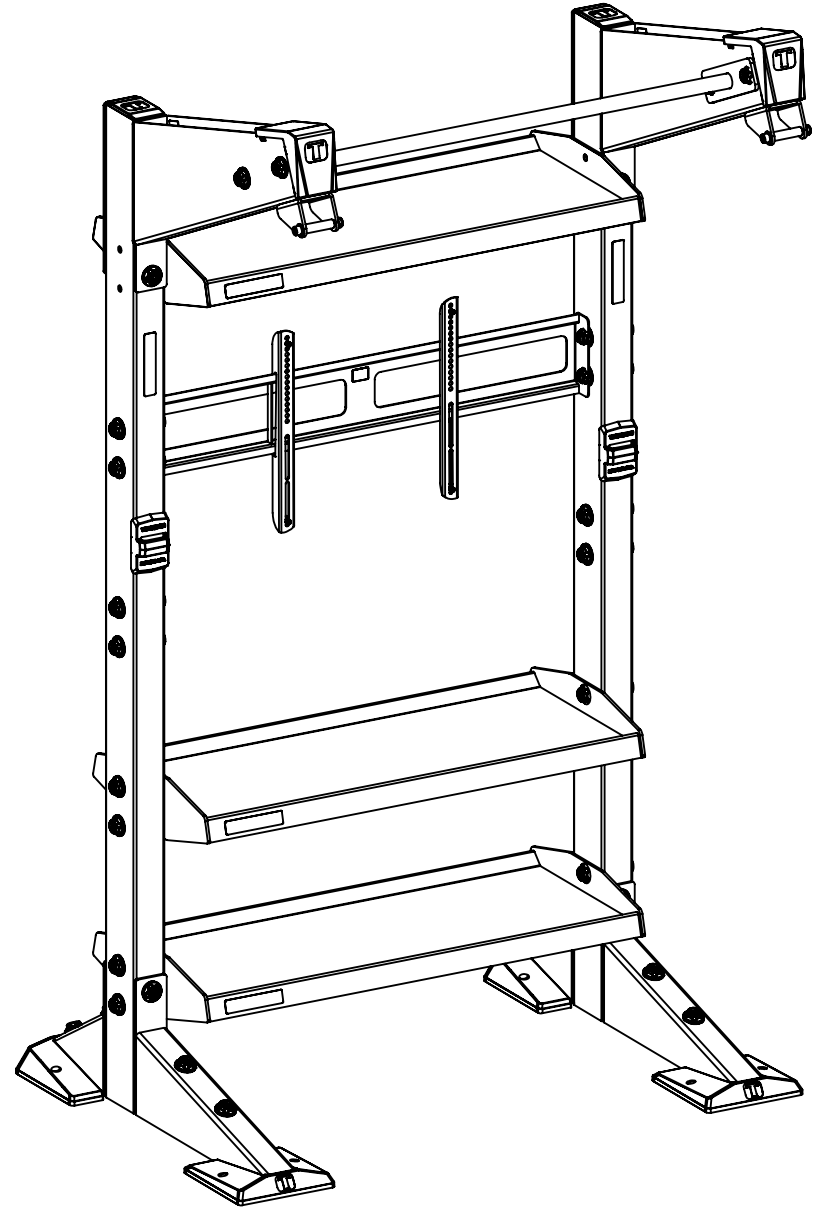
NOTE:

If you are a professional contractor installing this system for a facility, leave these labels and instruction with manager or inquire what label to attach to each barbell guard.

4' MONITOR MOUNT & STORAGE MODULE



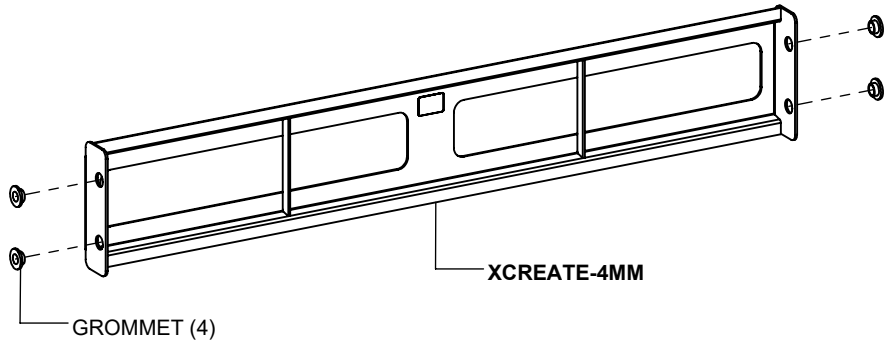
STANDARD CONFIGURATION



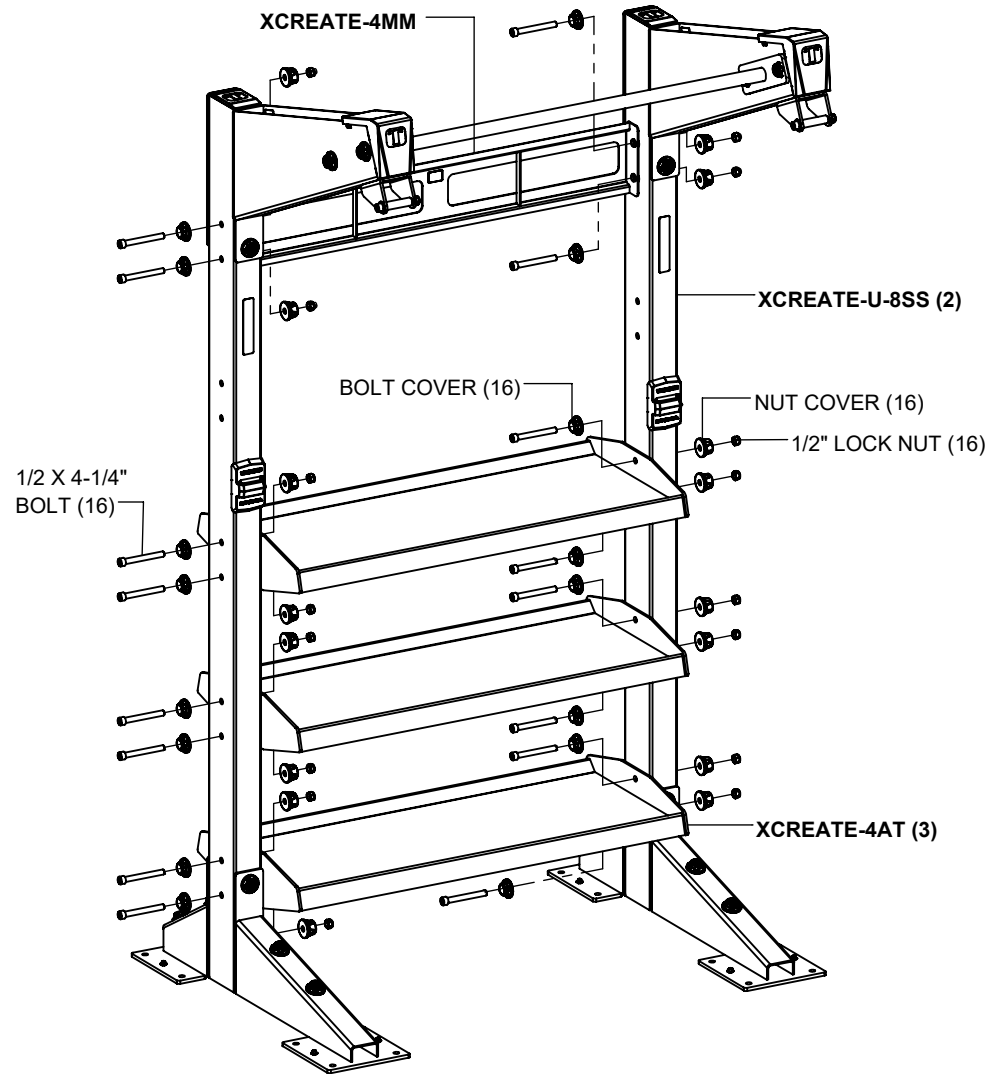
OPTIONAL CONFIGURATION

4' MONITOR MOUNT & STORAGE MODULE

STEP 1A



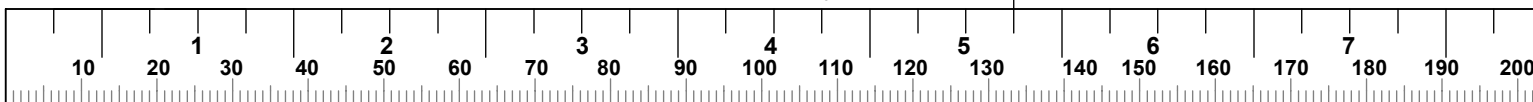
STEP 1B



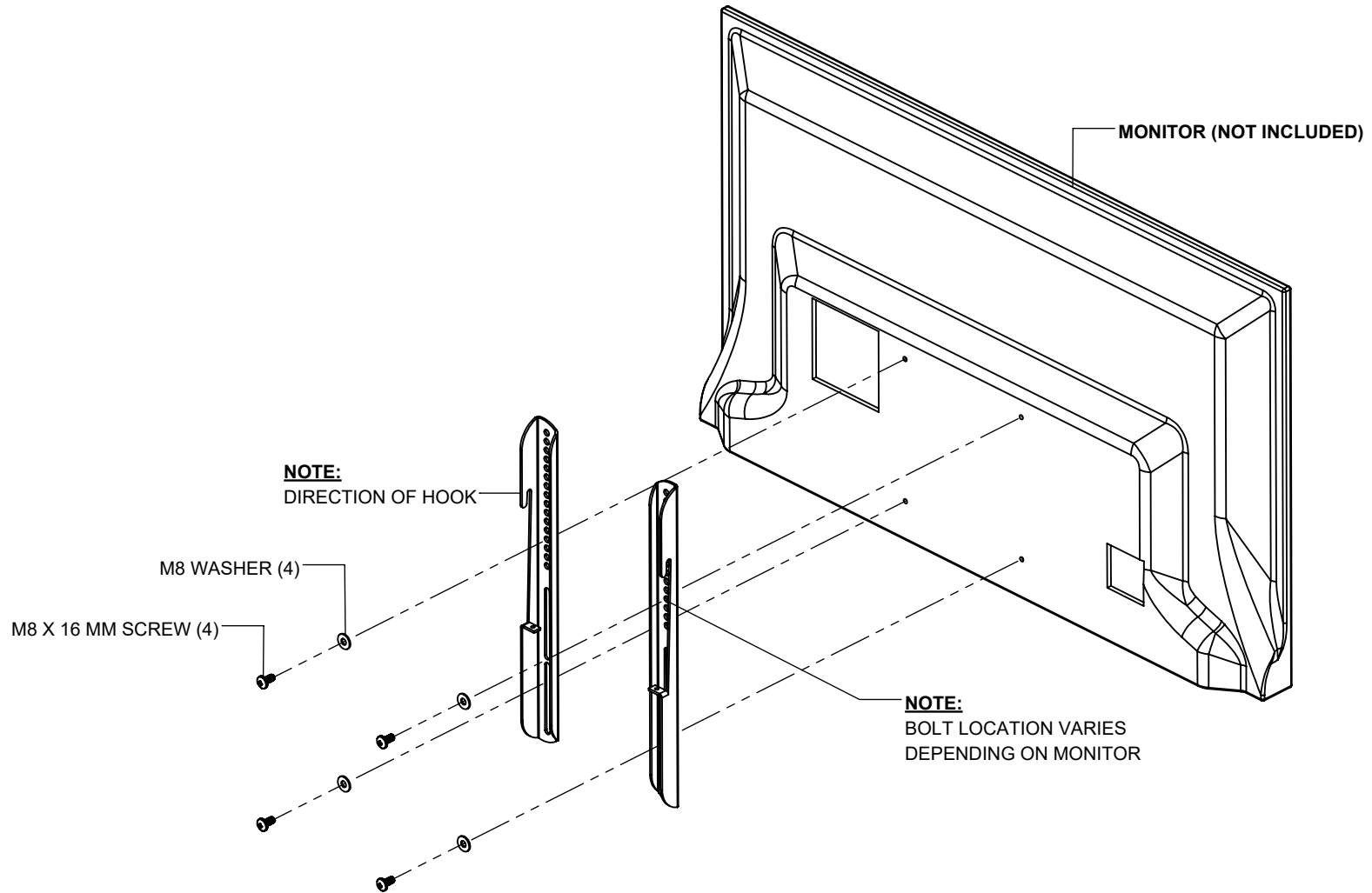
NOTES:

If more modules will be assembled, do not tighten bolts at this time. If this is the only module being assembled, then **SECURELY** tighten all bolts in this step and previous steps.

The **XCREATE-U-7SS** is assembled the exact same way.

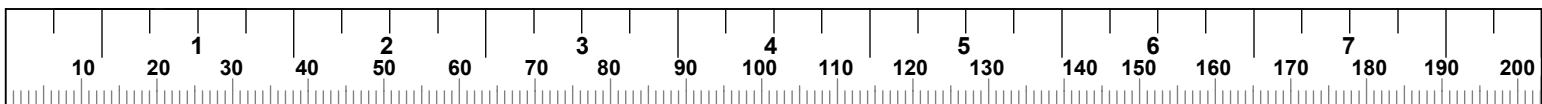


4' MONITOR MOUNT & STORAGE MODULE

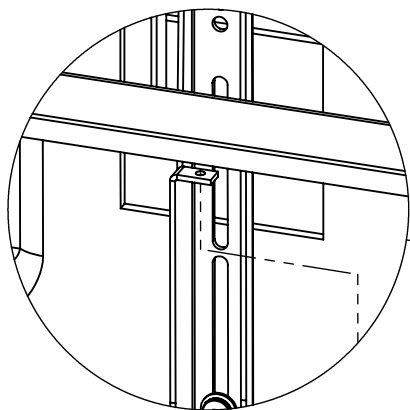


NOTE:

SECURELY tighten all connections in this step.

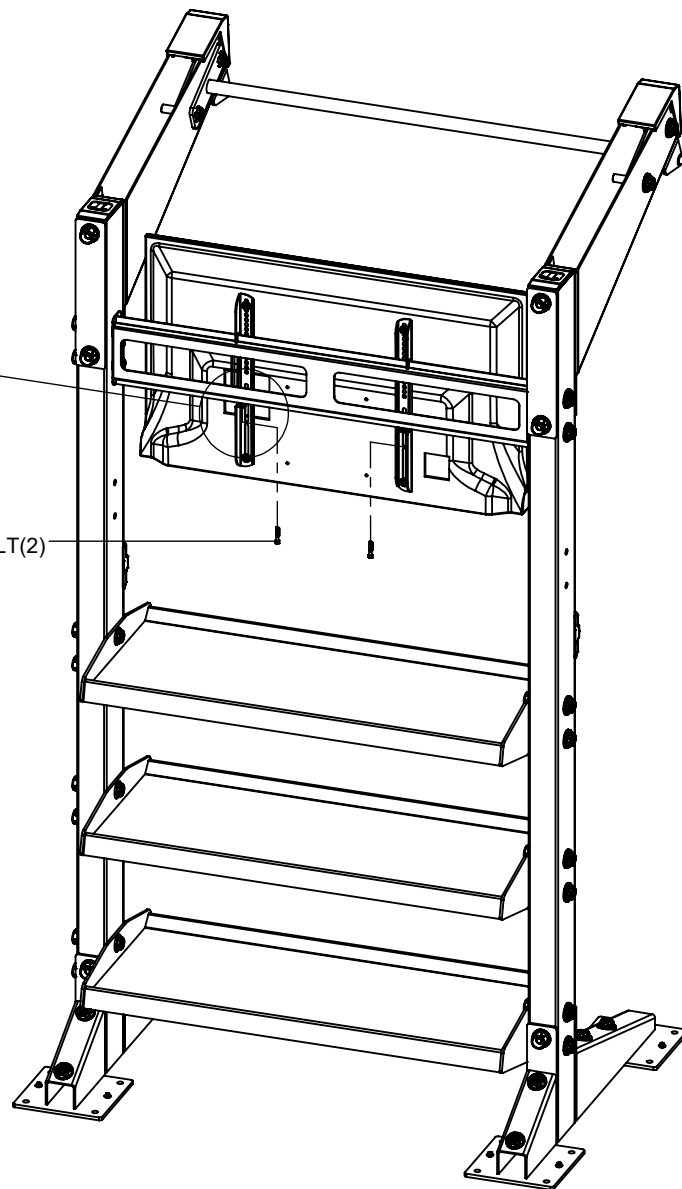


4' MONITOR MOUNT & STORAGE MODULE



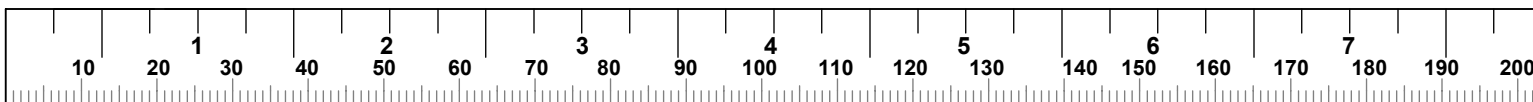
NOTE:
CENTER MONITOR BEFORE TIGHTENING

M6 x 35 MM BOLT(2)

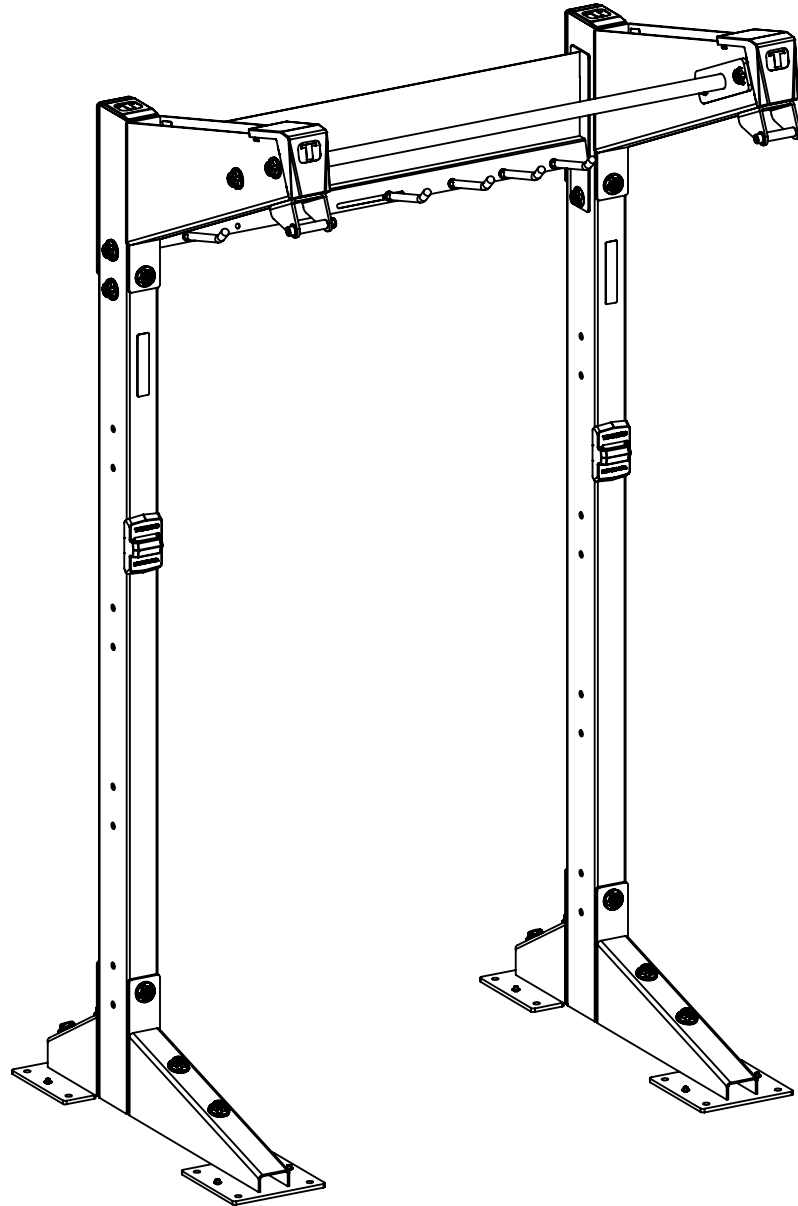


NOTE:

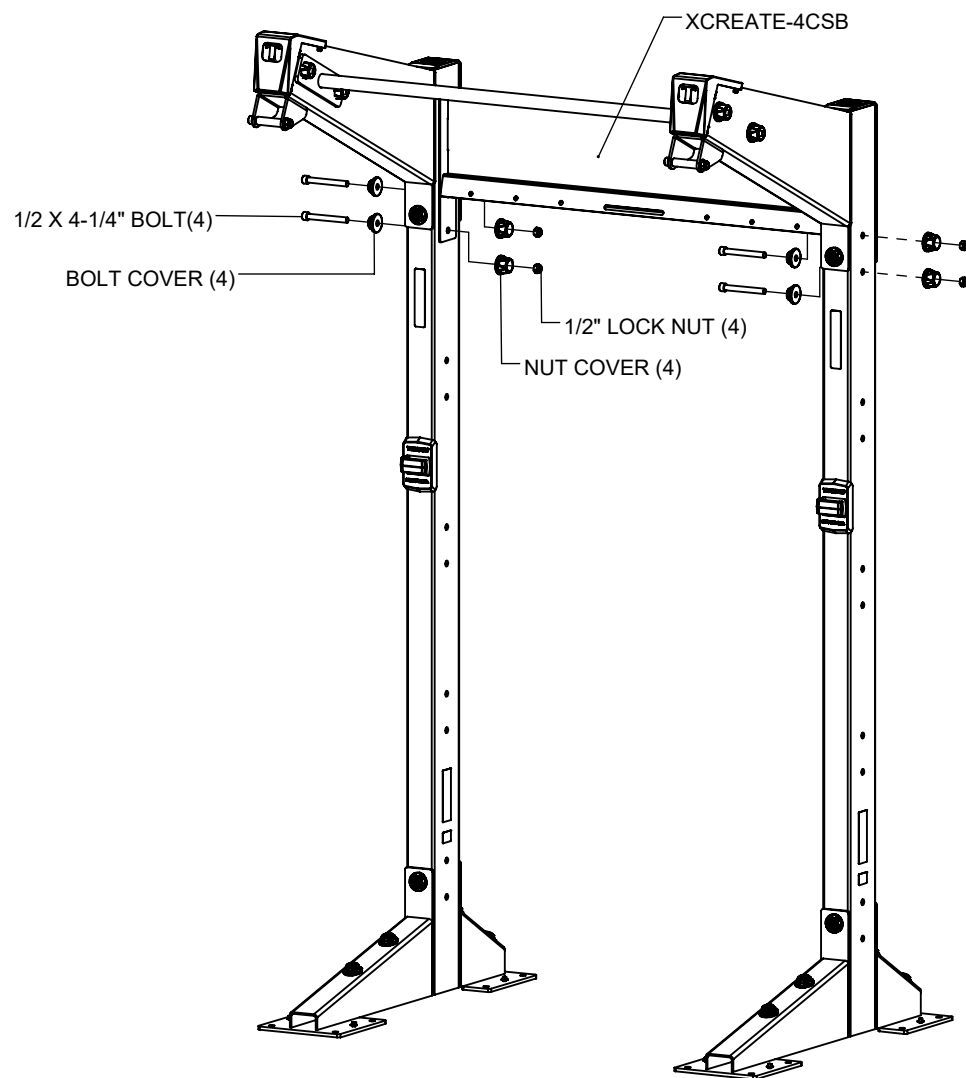
SECURELY tighten all connections in this step.



4' CUSTOM SIGN AND HANGING STORAGE MODULE

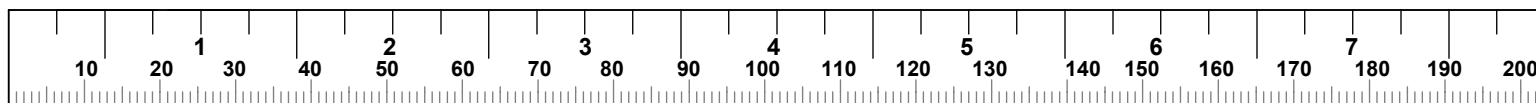


4' CUSTOM SIGN AND HANGING STORAGE MODULE

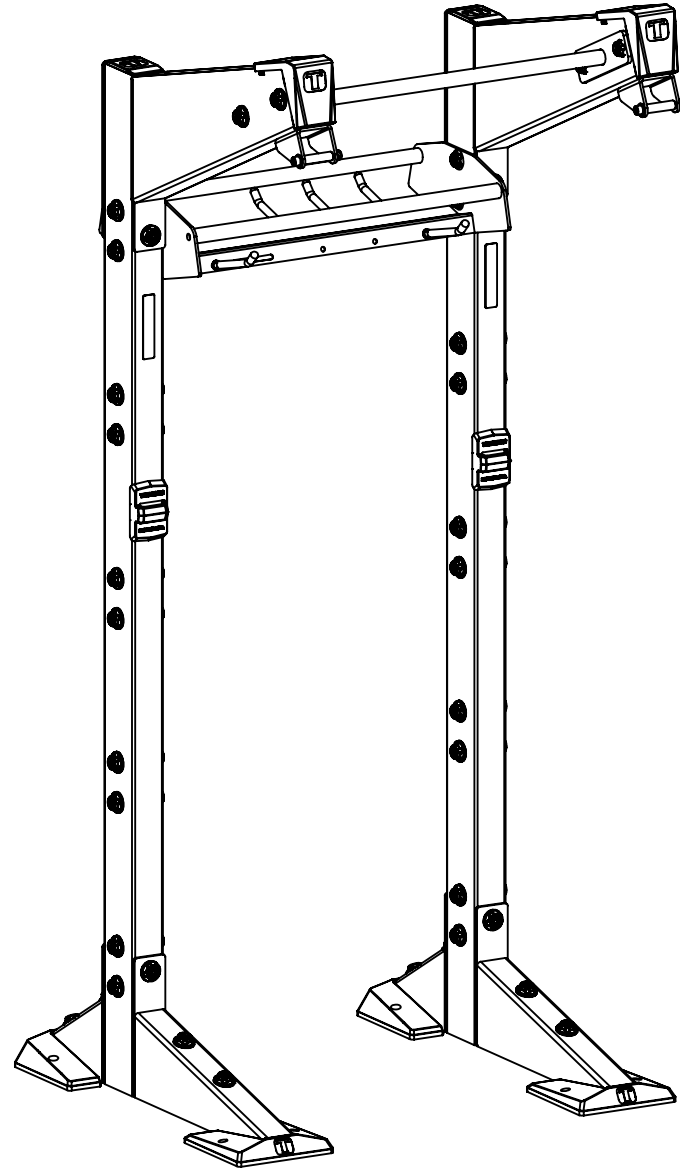


NOTE:

SECURELY tighten all connections in this step.



2.5' BALL AND HANGING STORAGE MODULE



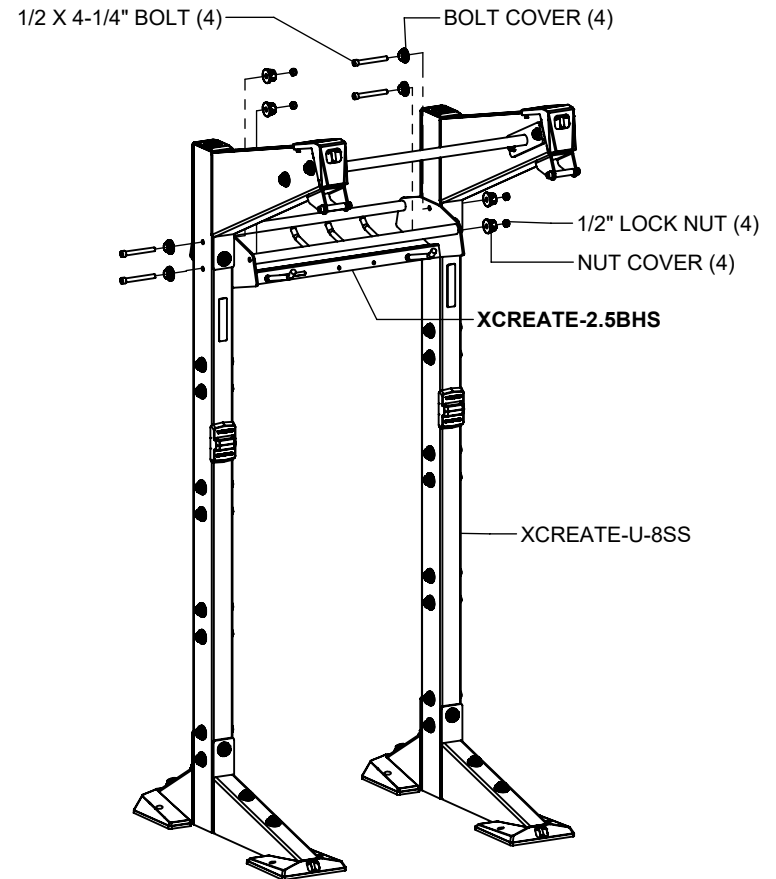
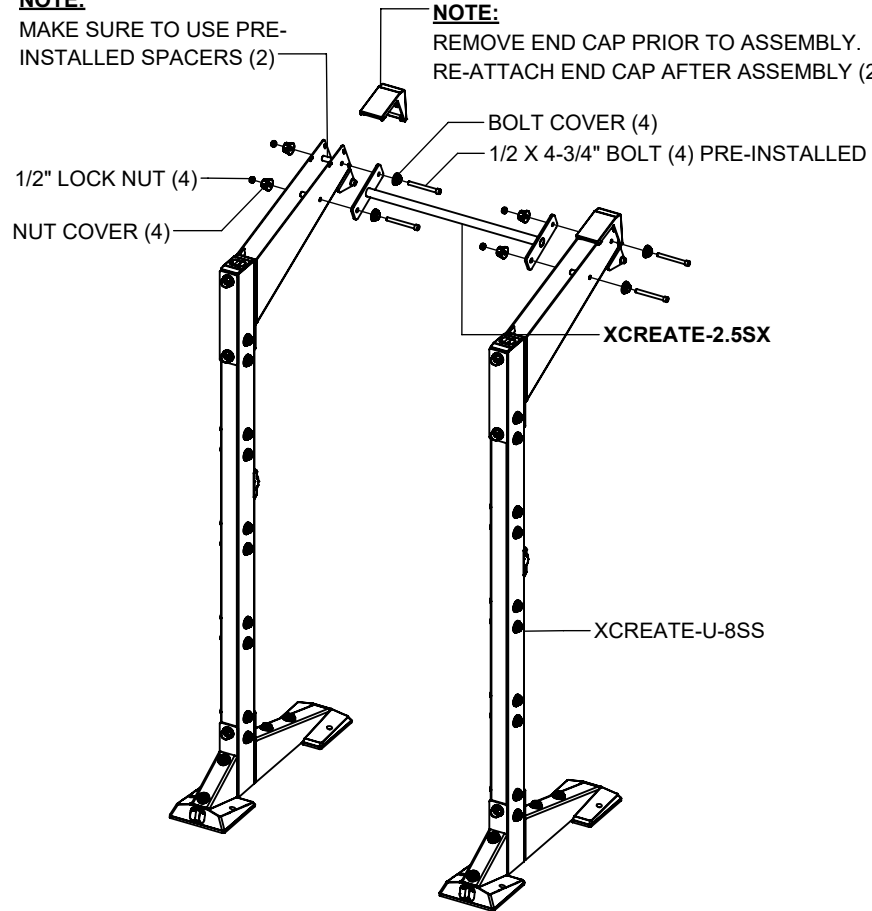
2.5' BALL AND HANGING STORAGE MODULE

NOTE:

MAKE SURE TO USE PRE-INSTALLED SPACERS (2)

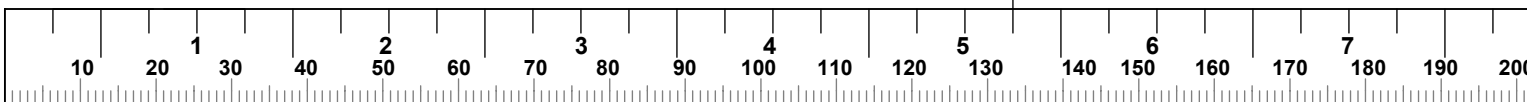
NOTE:

REMOVE END CAP PRIOR TO ASSEMBLY.
RE-ATTACH END CAP AFTER ASSEMBLY (2)

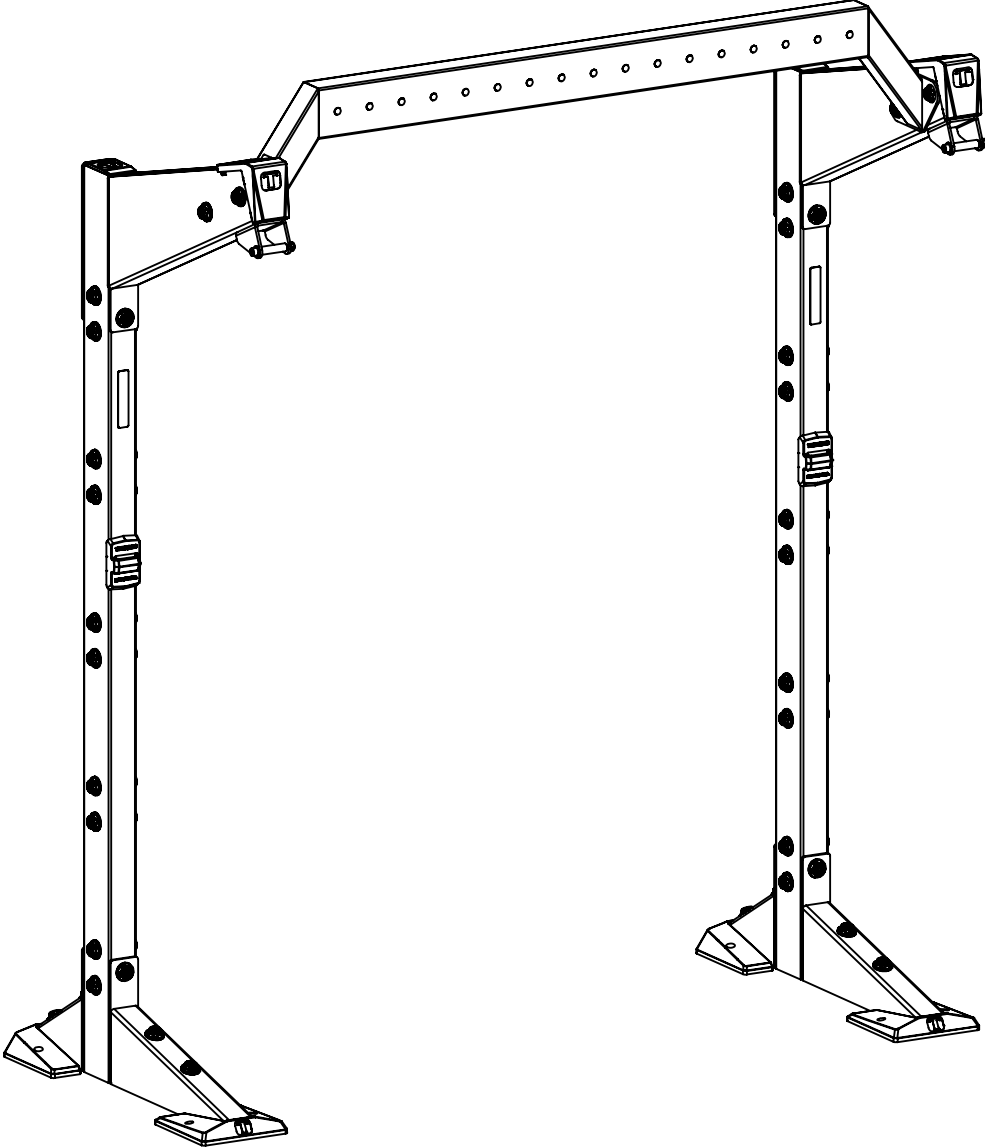


NOTES:

If more modules will be assembled, do not tighten bolts at this time.
If this is the only module being assembled, then **SECURELY** tighten all bolts in this step and previous steps.



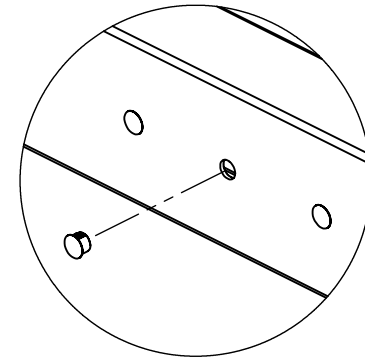
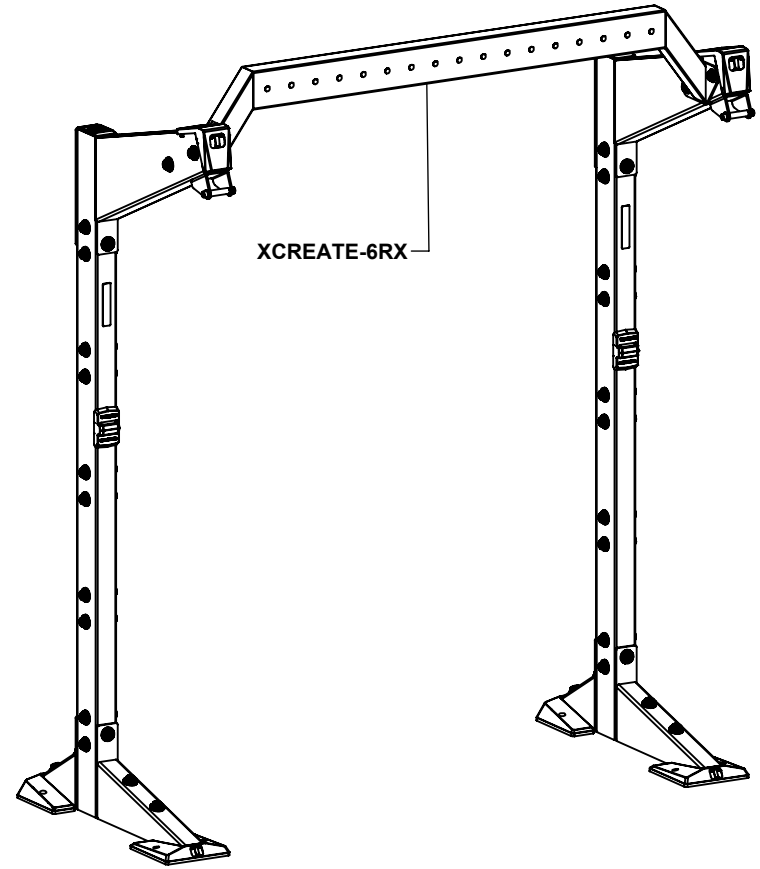
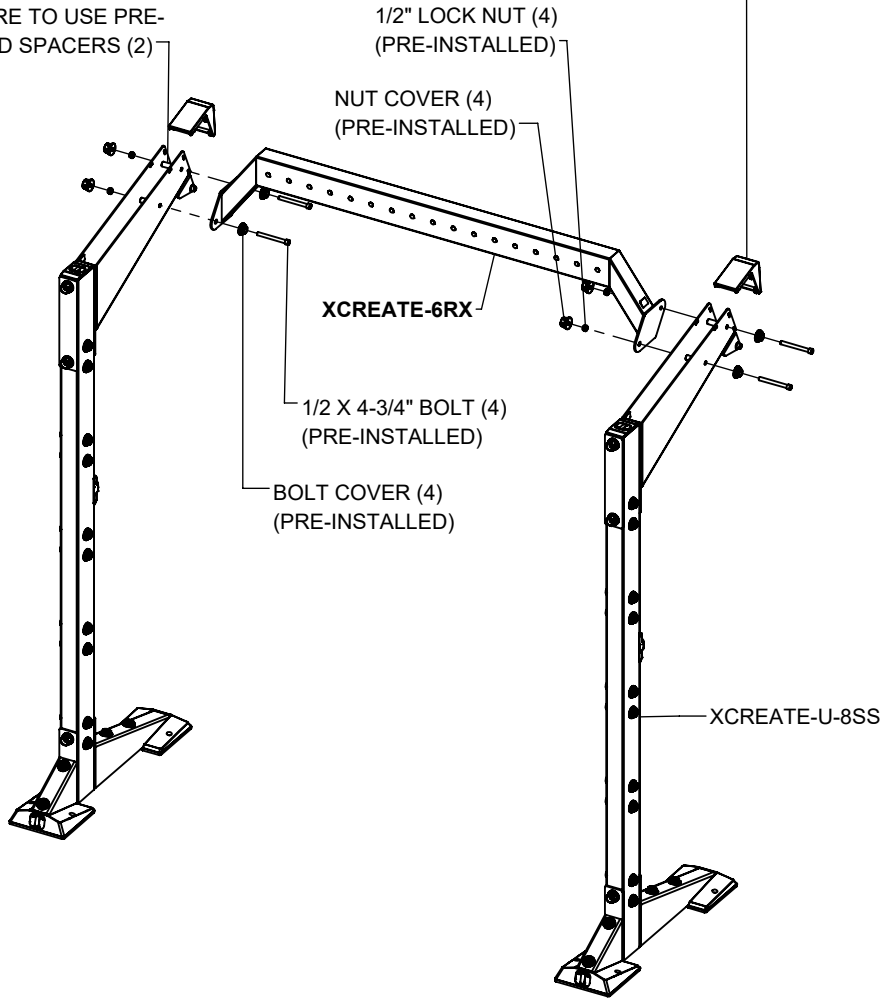
6' RECTANGULAR CROSS MODULE



6' RECTANGULAR CROSS MODULE

NOTE:
REMOVE END CAP PRIOR TO ASSEMBLY.
RE-ATTACH END CAP AFTER ASSEMBLY (2)

NOTE:
MAKE SURE TO USE PRE-INSTALLED SPACERS (2)

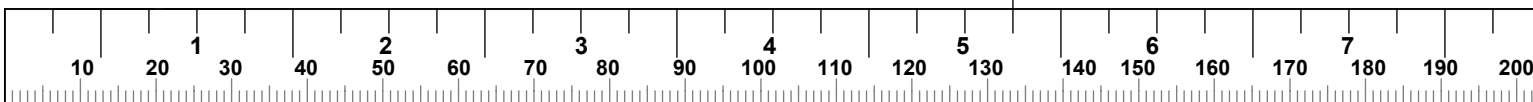


NOTES:

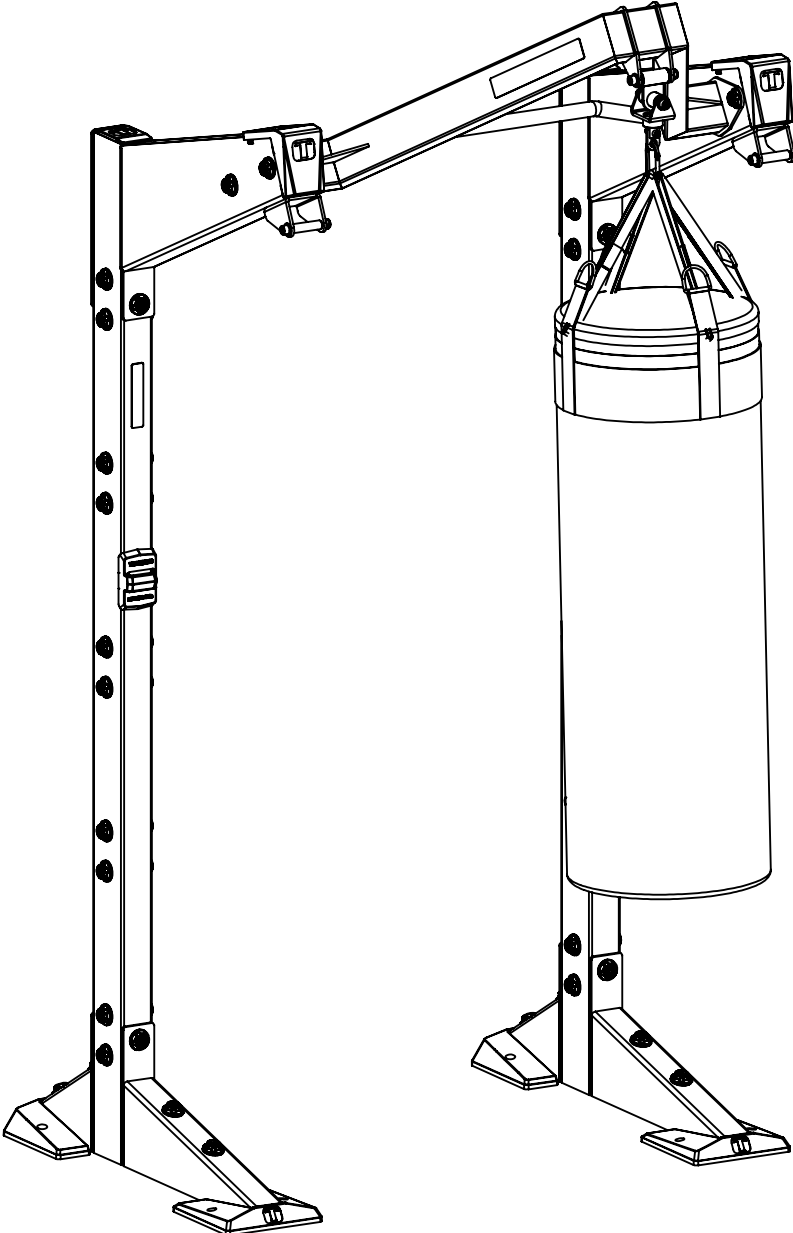
If more modules will be assembled, do not tighten bolts at this time. If this is the only module being assembled, then **SECURELY** tighten all bolts in this step and previous steps.

NOTE:

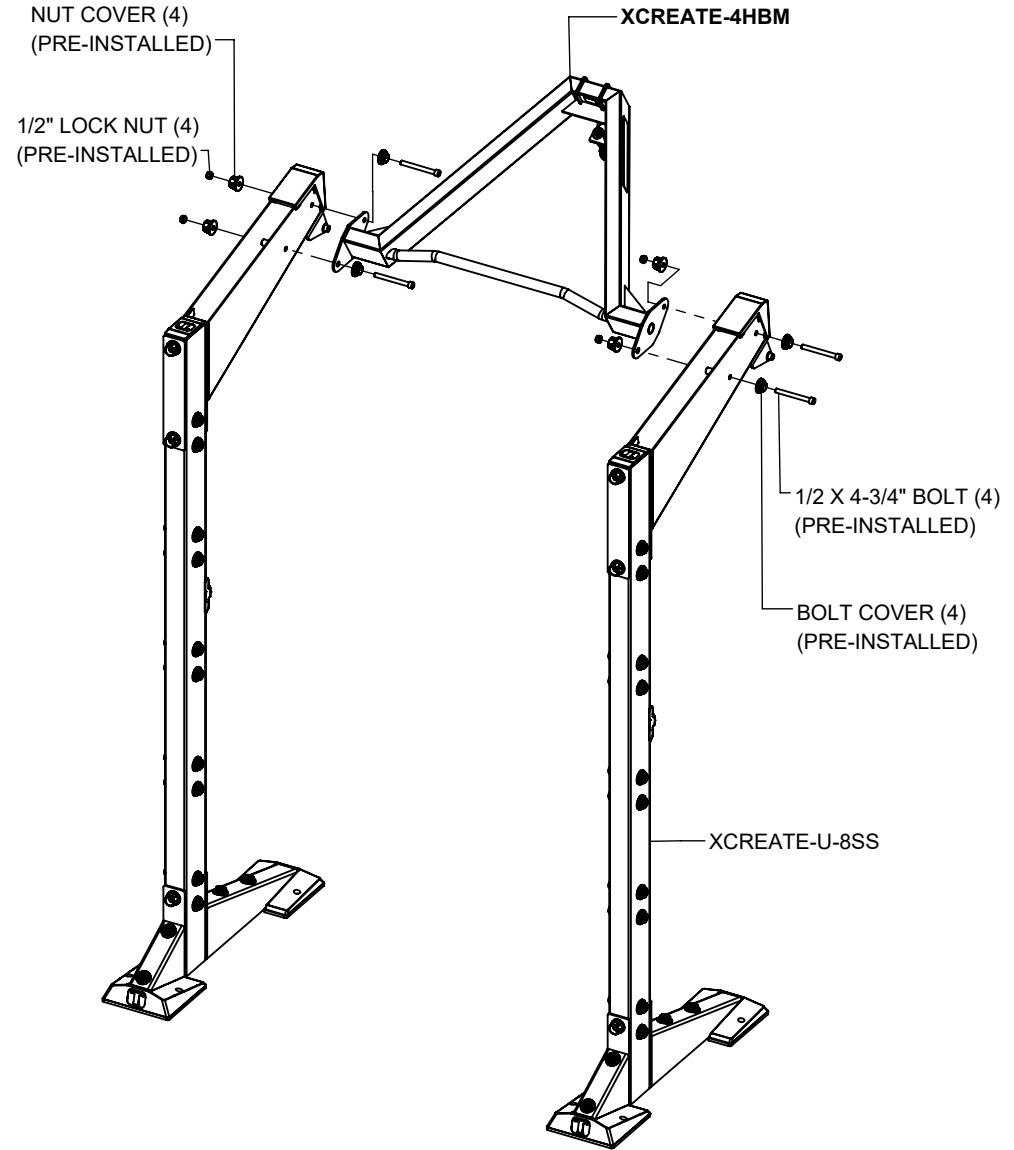
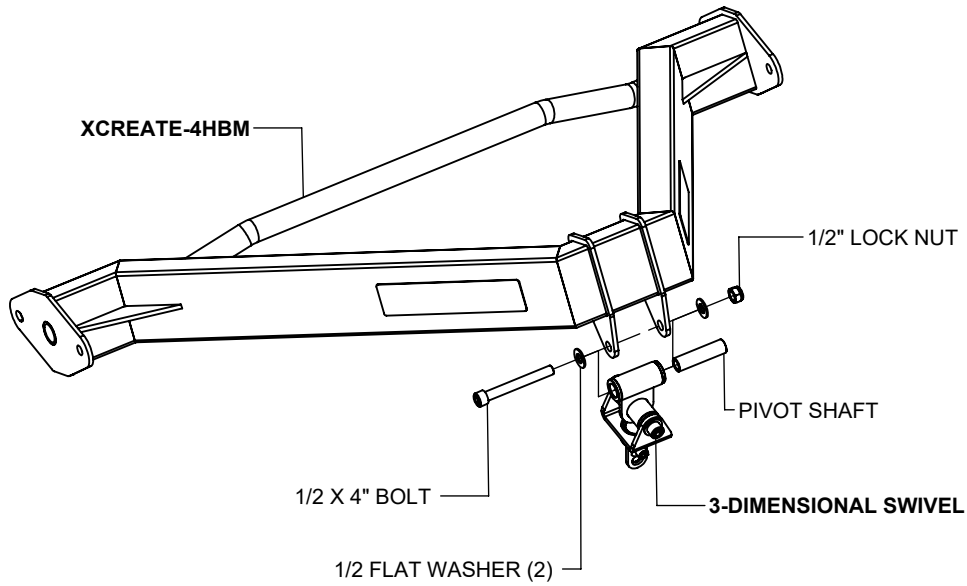
AFTER ALL ATTACHMENTS HAVE BEEN ASSEMBLED (SEE ATTACHMENT SECTION), COVER ALL EMPTY HOLES WITH THE COVER CAPS PROVIDED.



4' HEAVY BAG MODULE

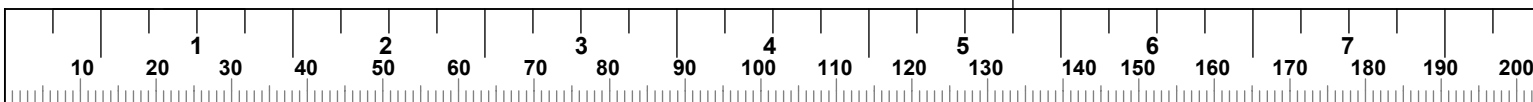


4' HEAVY BAG MODULE

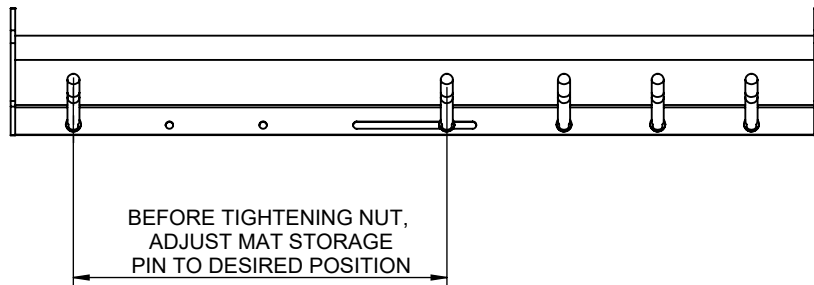
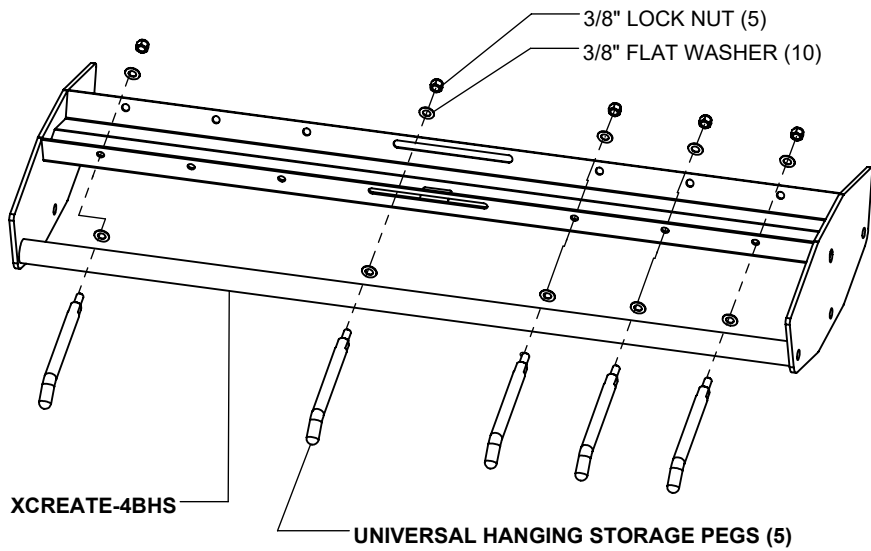


NOTES:

SECURELY tighten all bolt connections in this step.



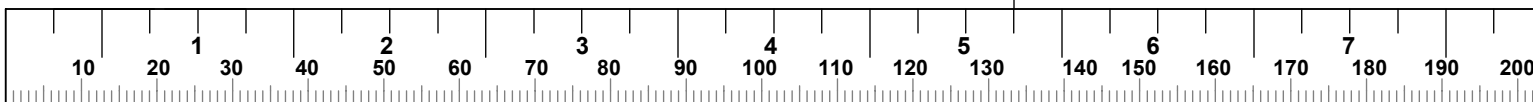
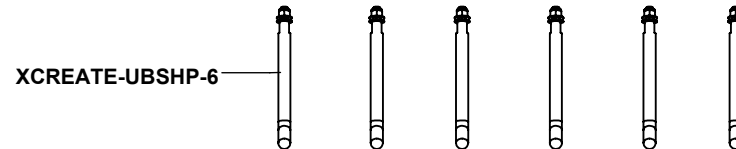
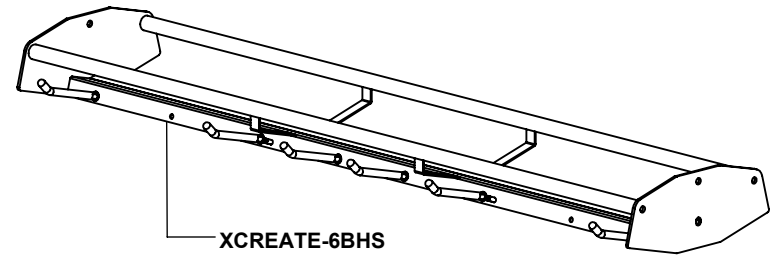
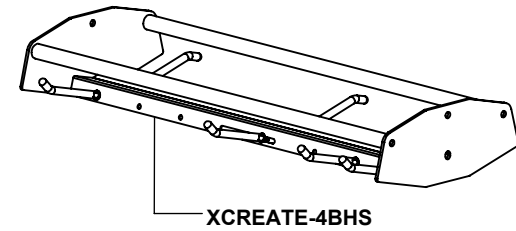
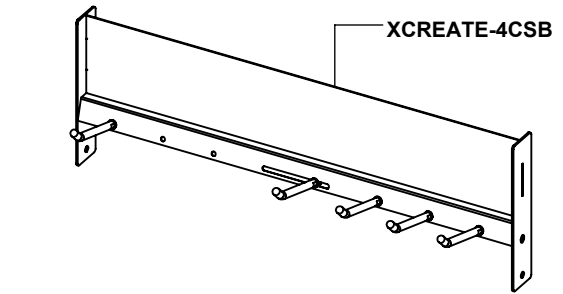
MAT STORAGE AND ACCESSORY PINS



NOTE:

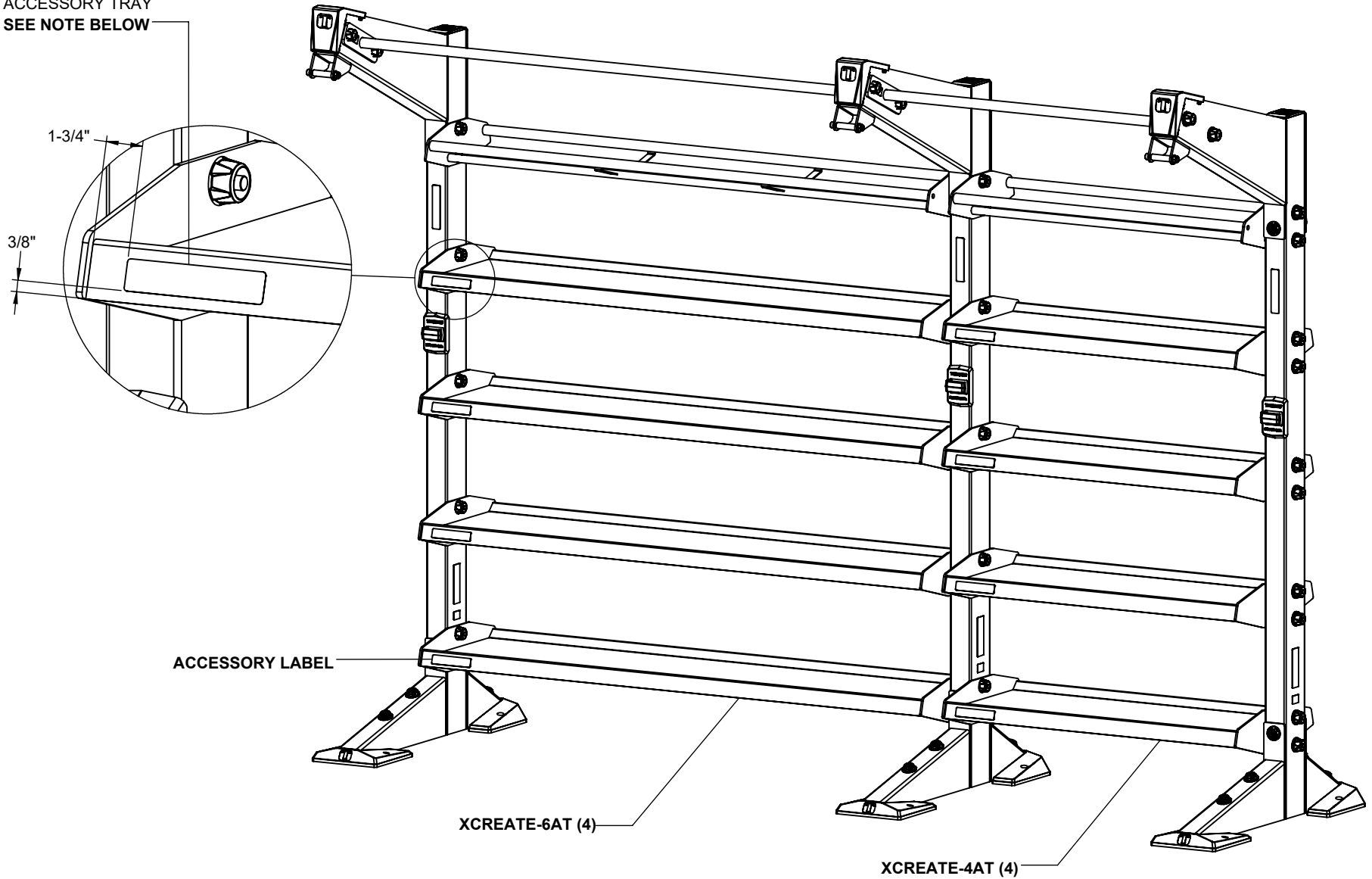
For the purpose of illustration the XCREATE-4BHS is shown. The XCREATE-4BHS, XCREATE-4CSB and XCREATE-6-UBS can be assembled the same way.

SECURELY tighten all connections in this step.



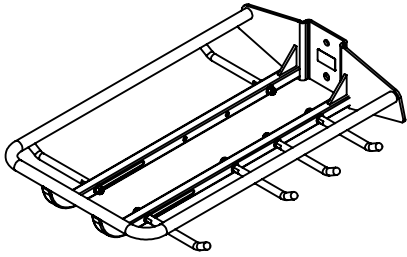
ACCESSORY TRAY LABELS

ATTACH DESIRED
LABEL TO EACH
ACCESSORY TRAY
SEE NOTE BELOW

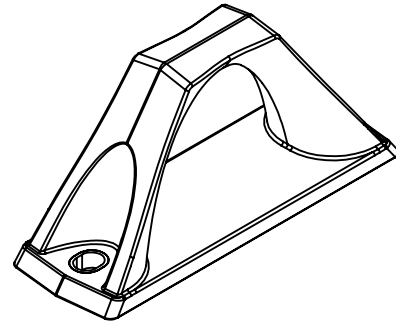


NOTE:

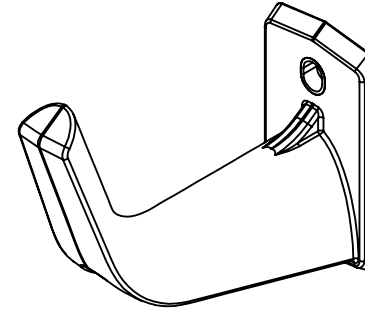
If you are a professional contractor installing this system for a facility, leave these labels and instruction with manager or inquire what label to attach to each accessory tray.



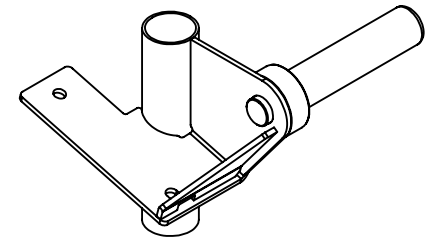
XCREATE-BHSE
BALL AND HANGING
STORAGE EXTENSION



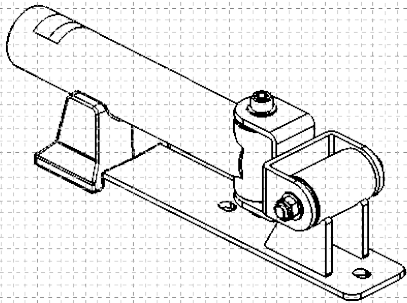
XRACK-BRA
BATTLE ROPE ANCHOR



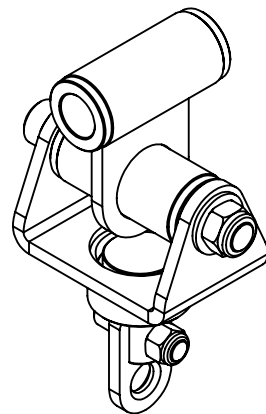
XCREATE-HSH
HANGING STORAGE HOOK



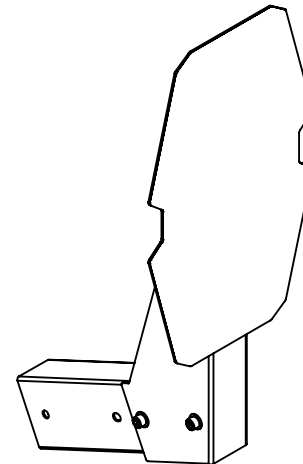
XCREATE-DP
DOUBLE PLAY



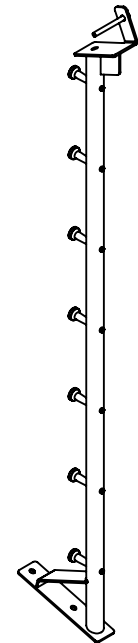
XHMGR
HORIZONTAL MOUNT
GROUND ROTATIONAL TRAINER



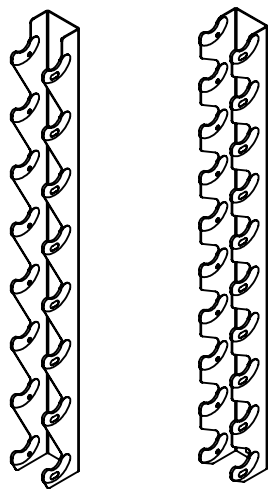
XCREATE-3DS
3 DIMENSIONAL SWIVEL



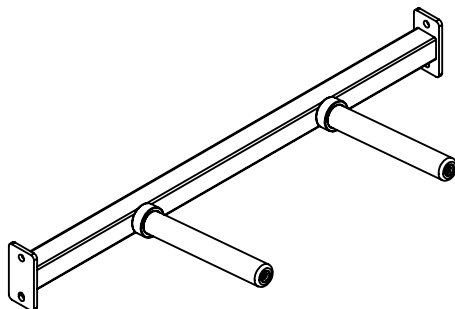
XCREATE-BT
BALL TARGET



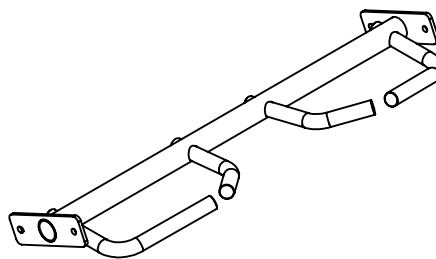
XCREATE-RBA
RESISTANCE BAND ANCHOR



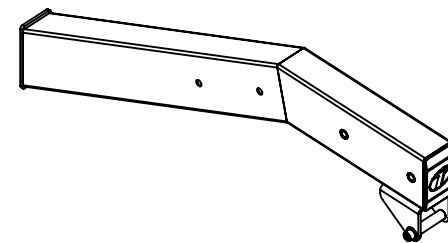
XCREATE-VDS4 / VDS5
VERTICAL DUMBBELL
STORAGE



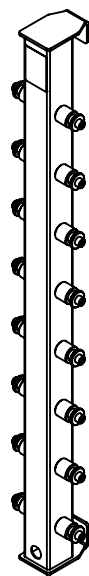
XCREATE-4SSHWS
4' SINGLE SIDE HORIZONTAL
WEIGHT STORAGE



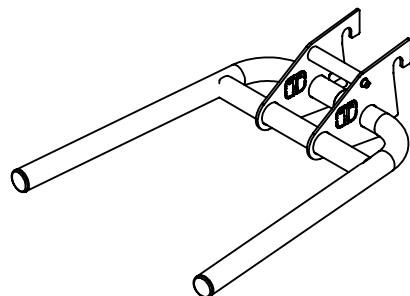
XCREATE-4MGX
4' MULTI GRIP CROSS



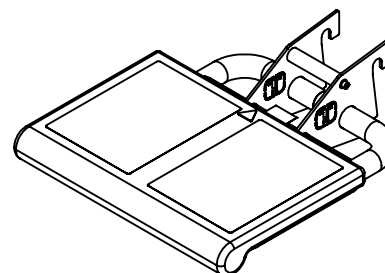
XCREATE-TBE
TOP BOOM EXTENSION



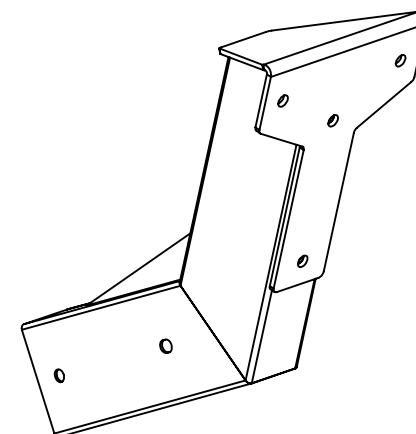
XCREATE-AA
ATTACHMENT ANCHOR



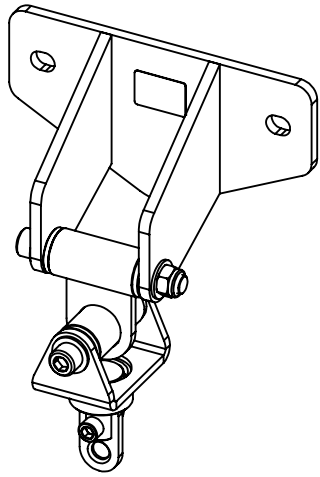
XCREATE-AAD
DIP ATTACHMENT



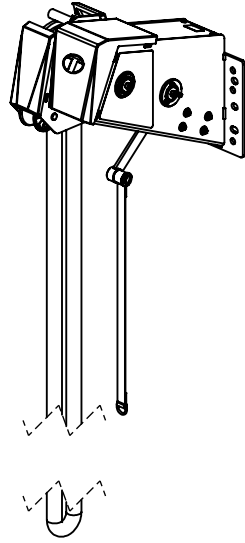
XCREATE-AAPS
PLYO STEP



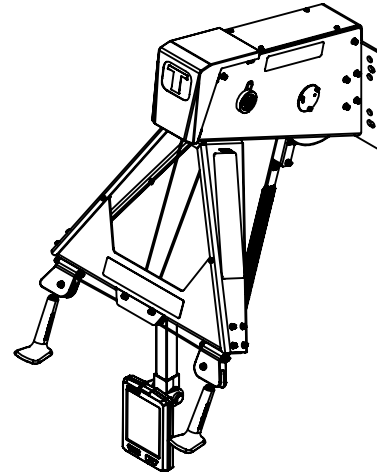
XCREATE-AE
ATTACHMENT EXTENSION



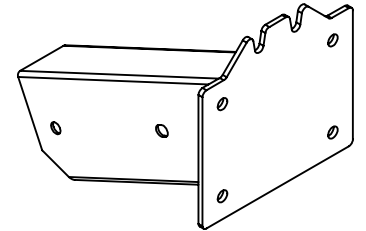
XCREATE-3DSM
3 DIMENSIONAL SWIVEL W/MOUNT



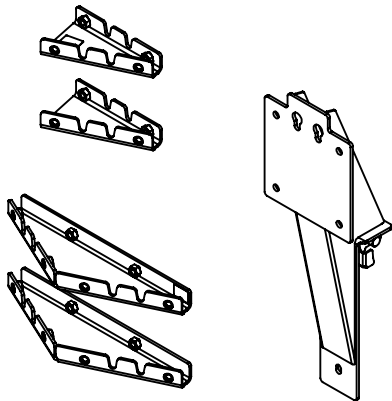
XERT
RELENTLESS ROPE TRAINER



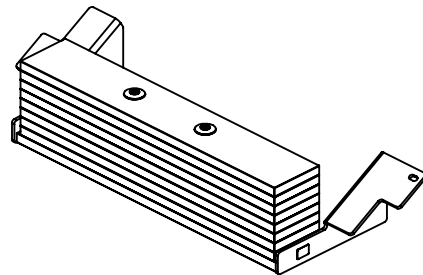
XRR-SKI
RELENTLESS RIPPER



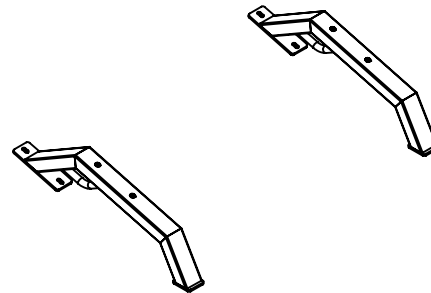
XCREATE-XERTBM
BOOM MOUNT



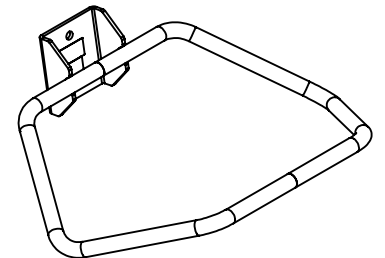
XCREATE-SAM
SIDE ATTACHMENT MOUNT



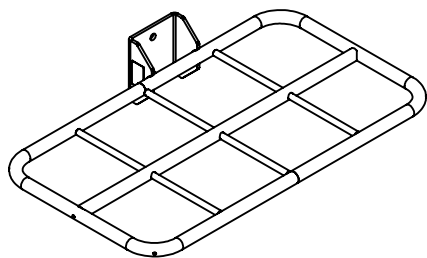
XCREATE-4CWS/CWP
4' COUNTERWEIGHT SUPPORT/
COUNTERWEIGHT PLATES



XCREATE-OR
OUTRIGGER



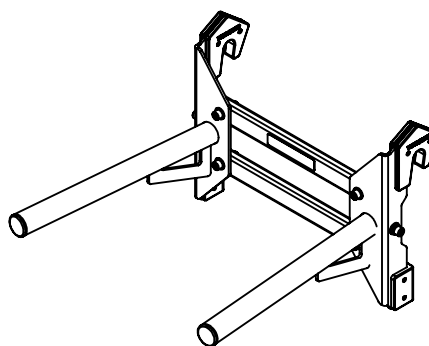
XCREATE-SA-BOSU
BOSU STORAGE ATTACHMENT



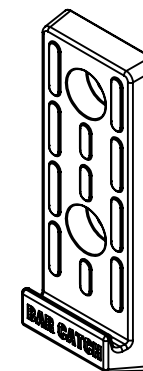
XCREATE-FRS6-8
FOAM ROLLER STORAGE



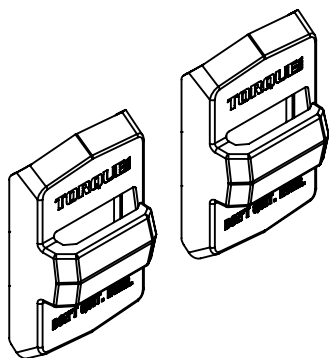
XCREATE-BBT
BRIDGE BALL TARGET



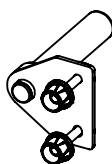
XCREATE-SBDA
STALL BAR DIP ATTACHMENT



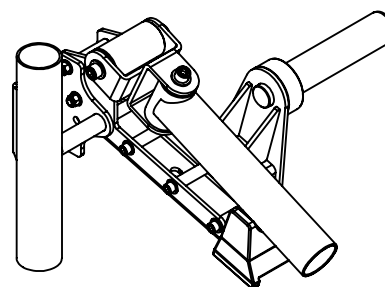
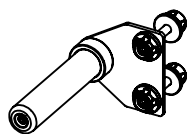
BCSA
BAR CATCH STORAGE
ATTACHMENT



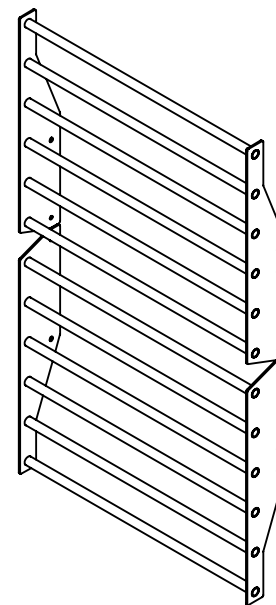
XCREATE-HMSC
MAGNETIC SUSPENSION CLIP



CPWH
CHANGE PLATE WEIGHT HORN

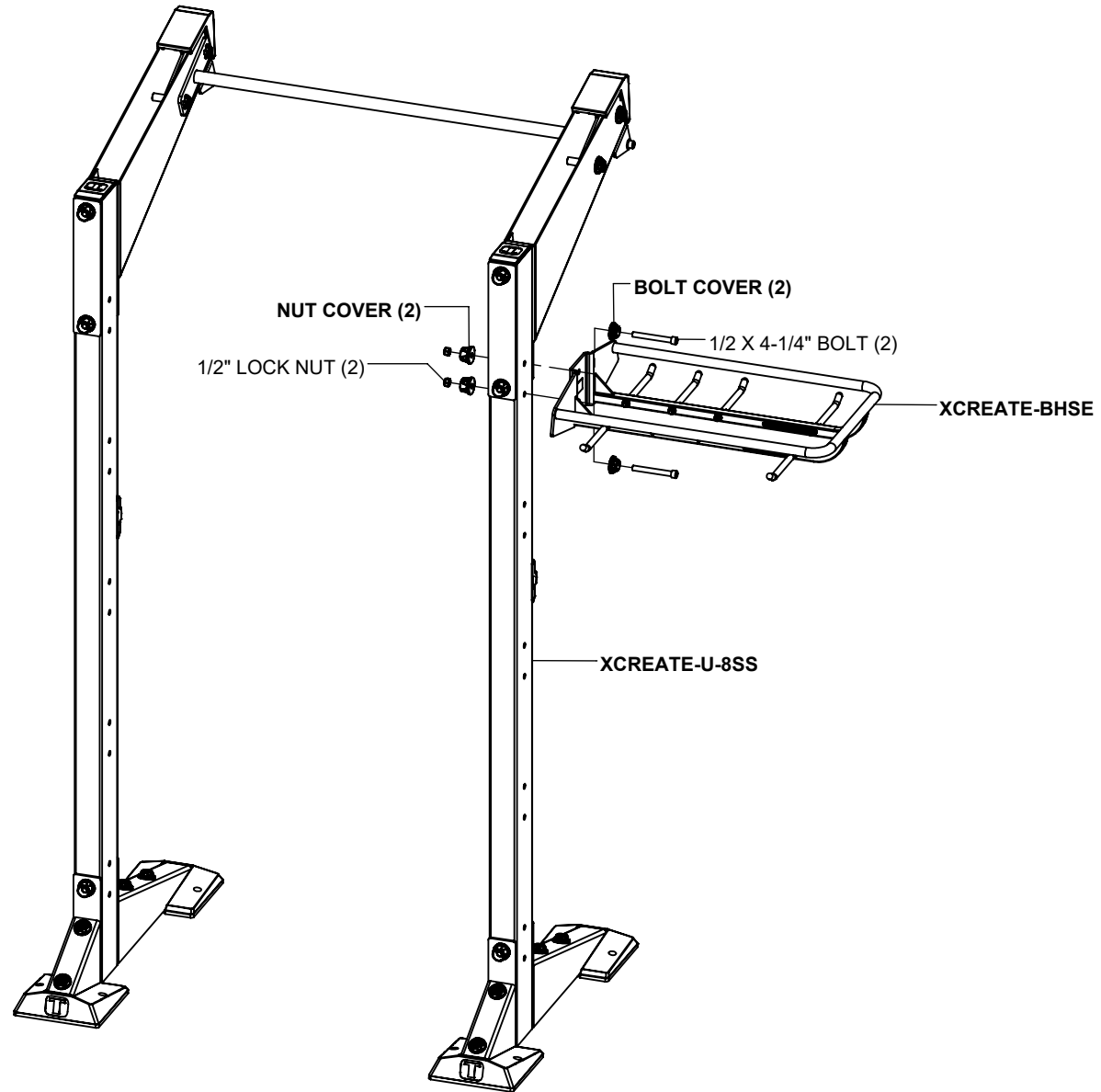


XCREATE-TP
TRIPLE PLAY



XCREATE-4OSB
4' OFFSET STALL BARS

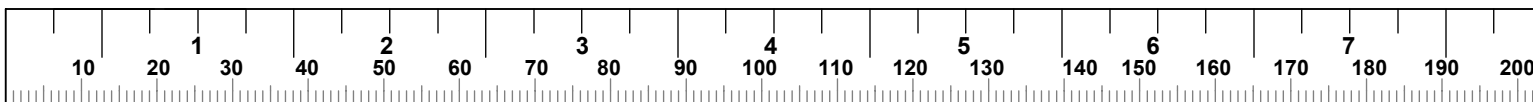
**XCREATE-BHSE
BALL & HANGING
STORAGE EXTENSION**



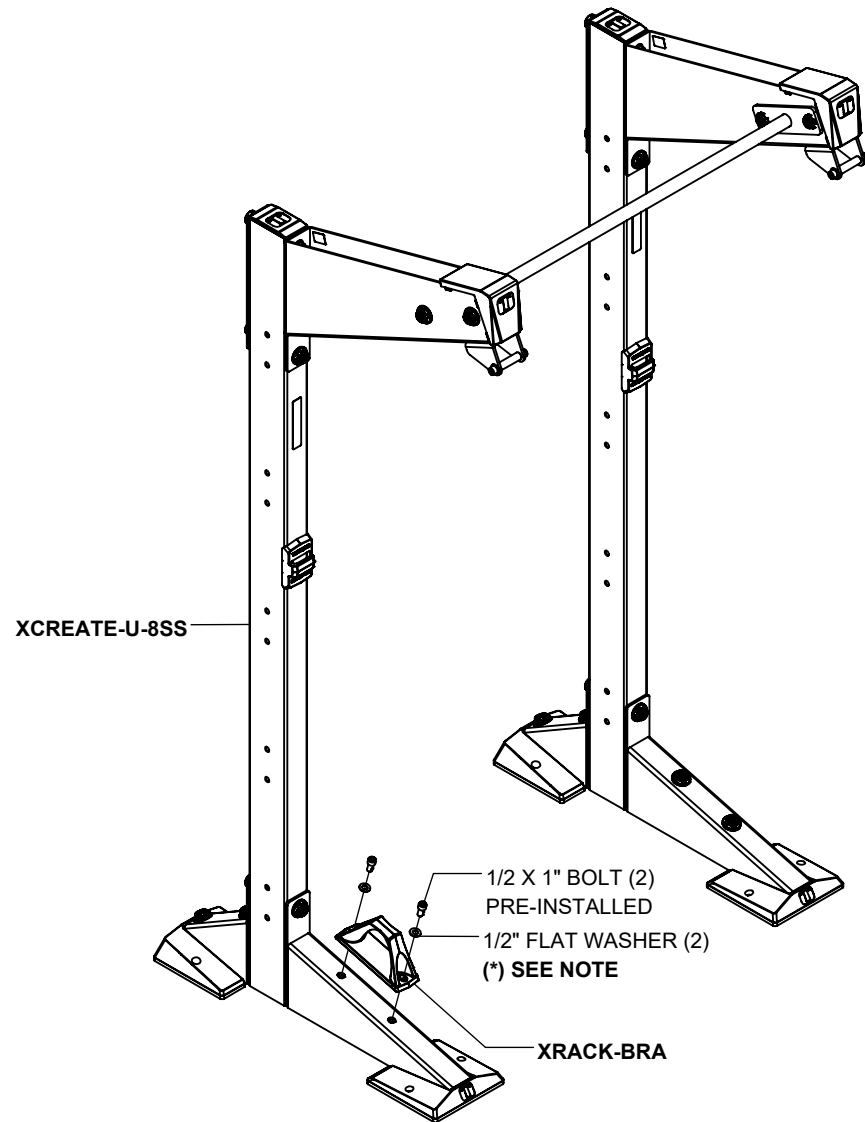
NOTES:

SECURELY tighten all bolt connections in this step.

The **XCREATE-U-7SS** is assembled the exact same way.



XRACK-BRA BATTLE ROPE ANCHOR

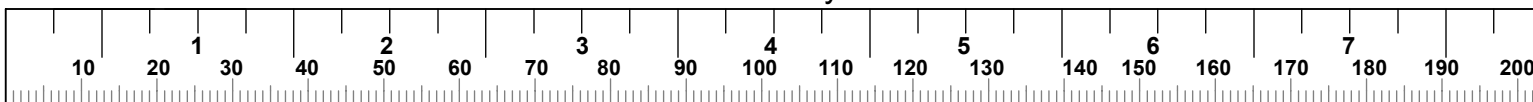


NOTES:

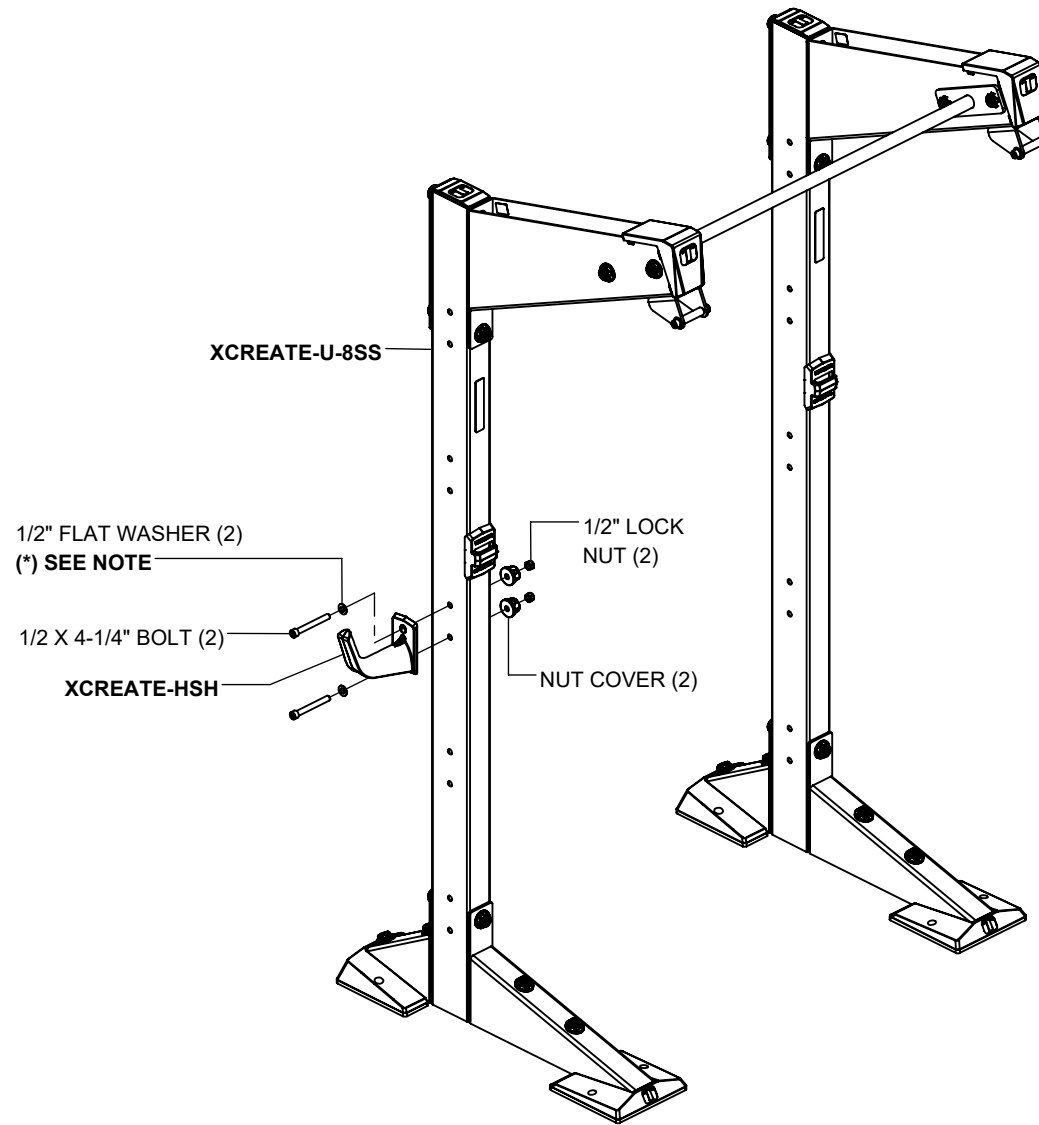
SECURELY tighten all bolt connections in this step.

(**) **HARDWARE COVERS CANNOT** be used in this step.

The **XCREATE-U-7SS** is assembled the exact same way.



**XCREATE-HSH
HANGING STORAGE HOOK**

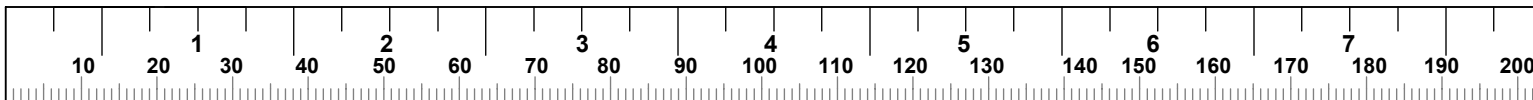


NOTES:

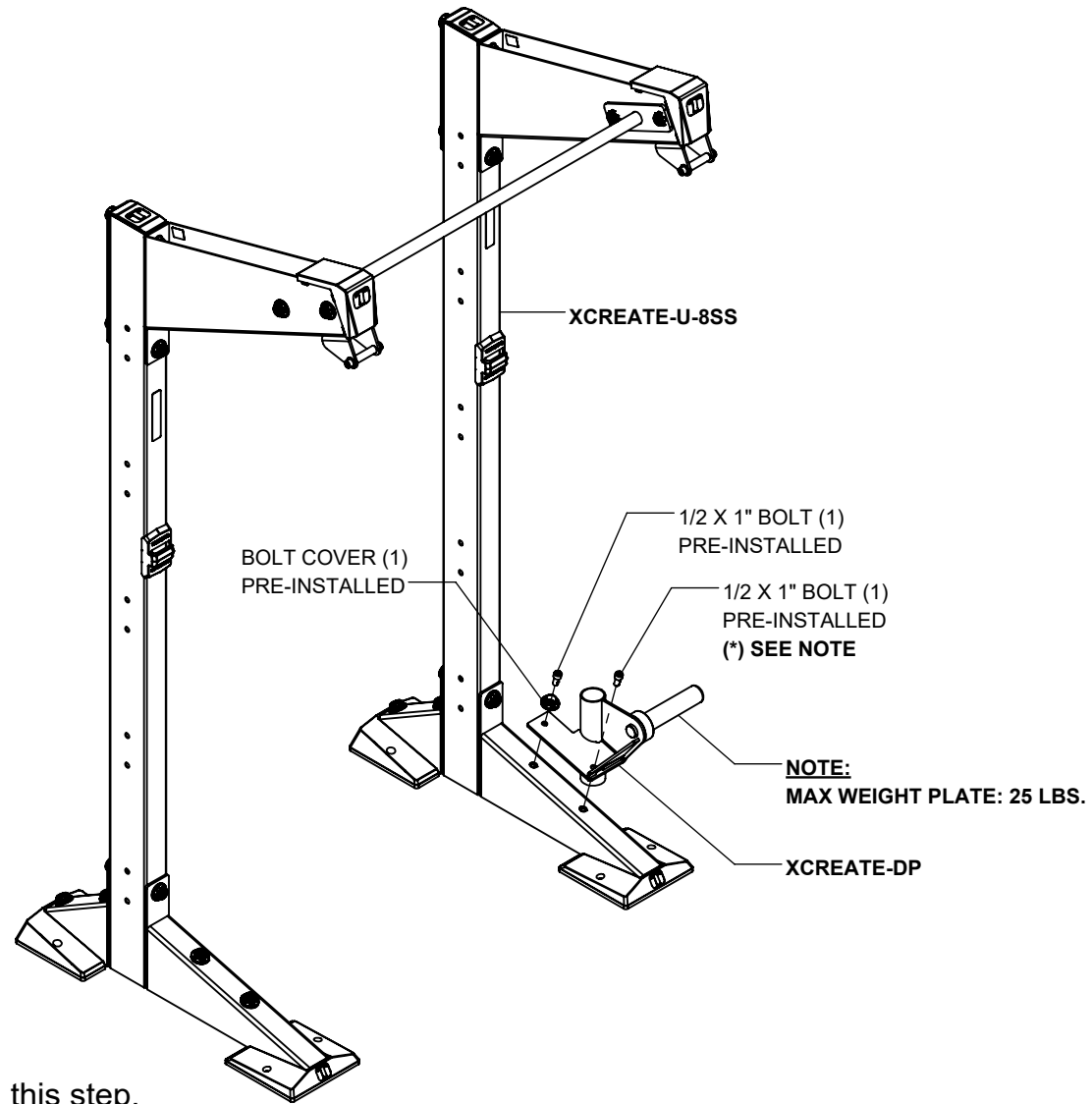
SECURELY tighten all bolt connections in this step.

(**) **HARDWARE COVER CANNOT** be used on **HSH** side.

The **XCREATE-U-7SS** is assembled the exact same way.



**XCREATE-DP
DOUBLE PLAY (BAR & PLATE STORAGE)**



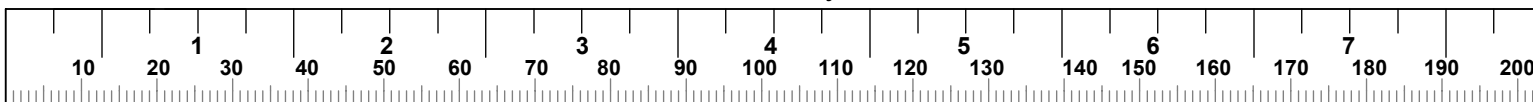
NOTES:

SECURELY tighten all bolt connections in this step.

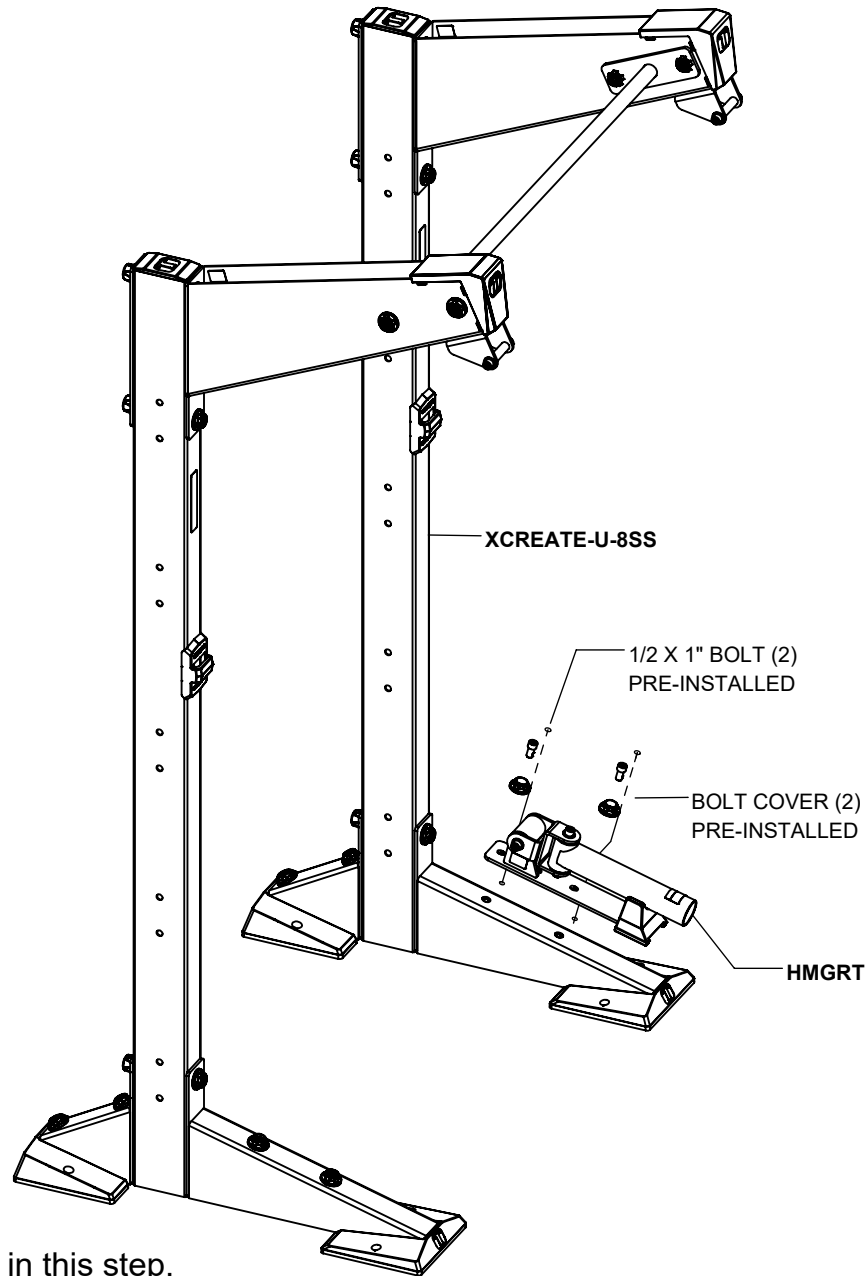
(*) HARDWARE COVER **CAN** be used in place of washer.
(SEE PAGE 3).

(**) HARDWARE COVER **CANNOT** be used in place of washer.

The **XCREATE-U-7SS** is assembled the exact same way.



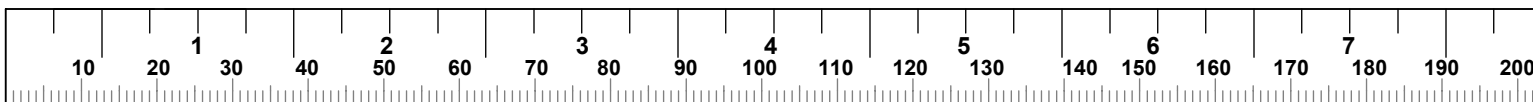
**XHMGRT
HORIZONTAL MOUNT GROUND
ROTATIONAL TRAINER**



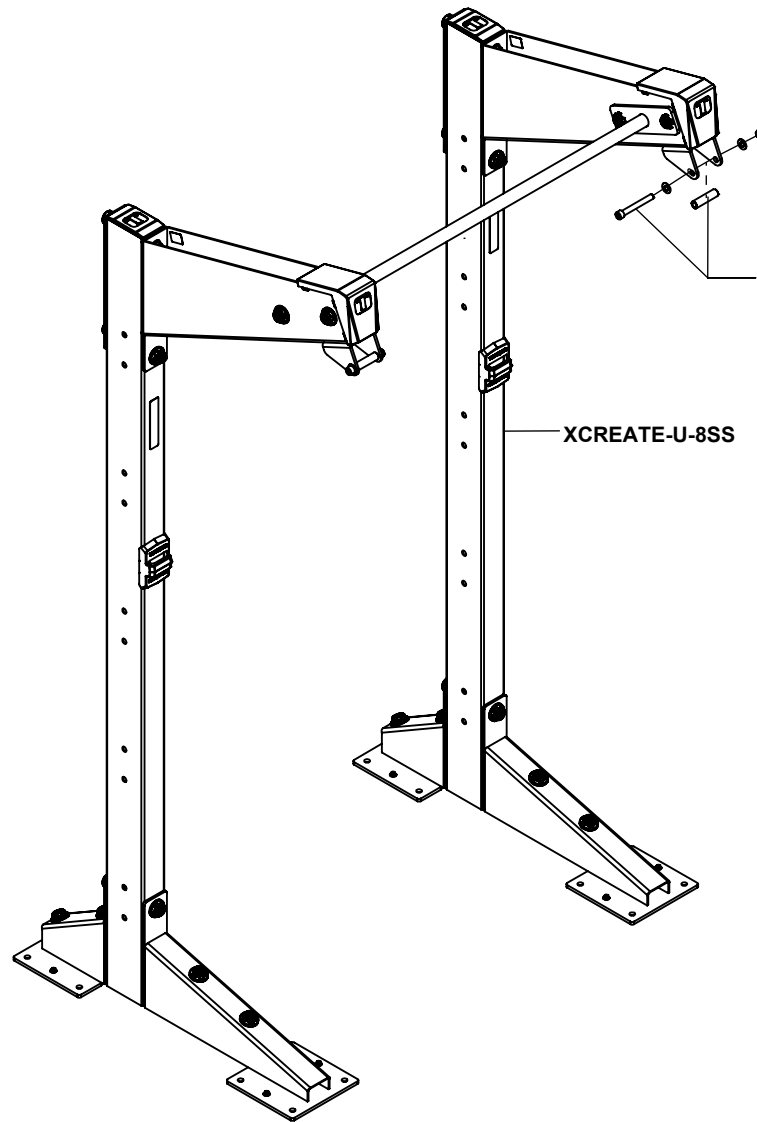
NOTES:

SECURELY tighten all bolt connections in this step.

The **XCREATE-U-7SS** is assembled the exact same way.



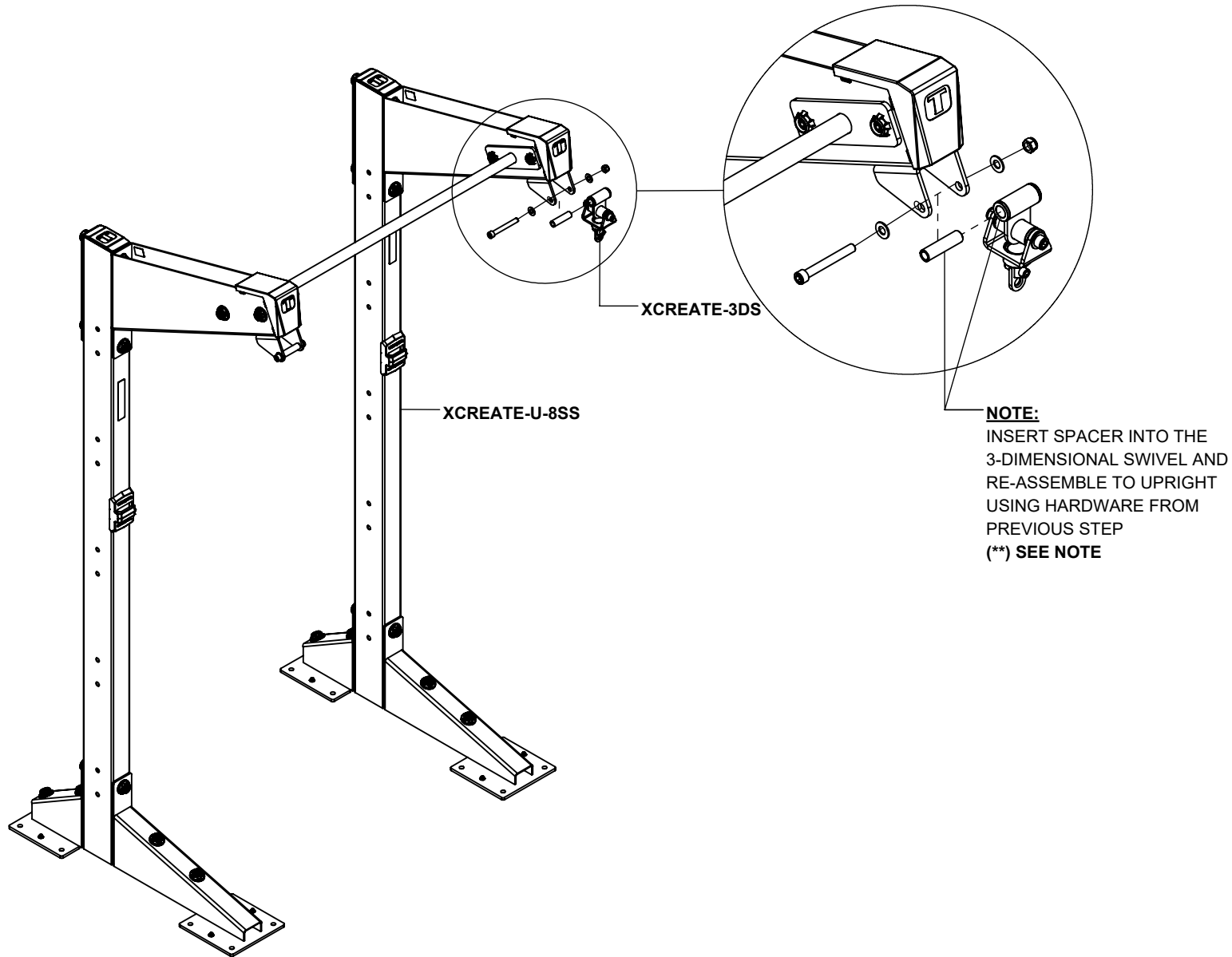
XCREATE-3DS
3 DIMENSIONAL SWIVEL



NOTE:
TEMPORARILY REMOVE BOLT,
SPACER, WASHERS AND NUT

XCREATE-U-8SS

XCREATE-3DS
3-DIMENSIONAL SWIVEL



NOTES:

SECURELY assemble bolt connection in this step.

(**) **HARDWARE COVERS** **CANNOT** be used in place of washers in this step.

**XCREATE-BT
BALL TARGET**

NOTE:

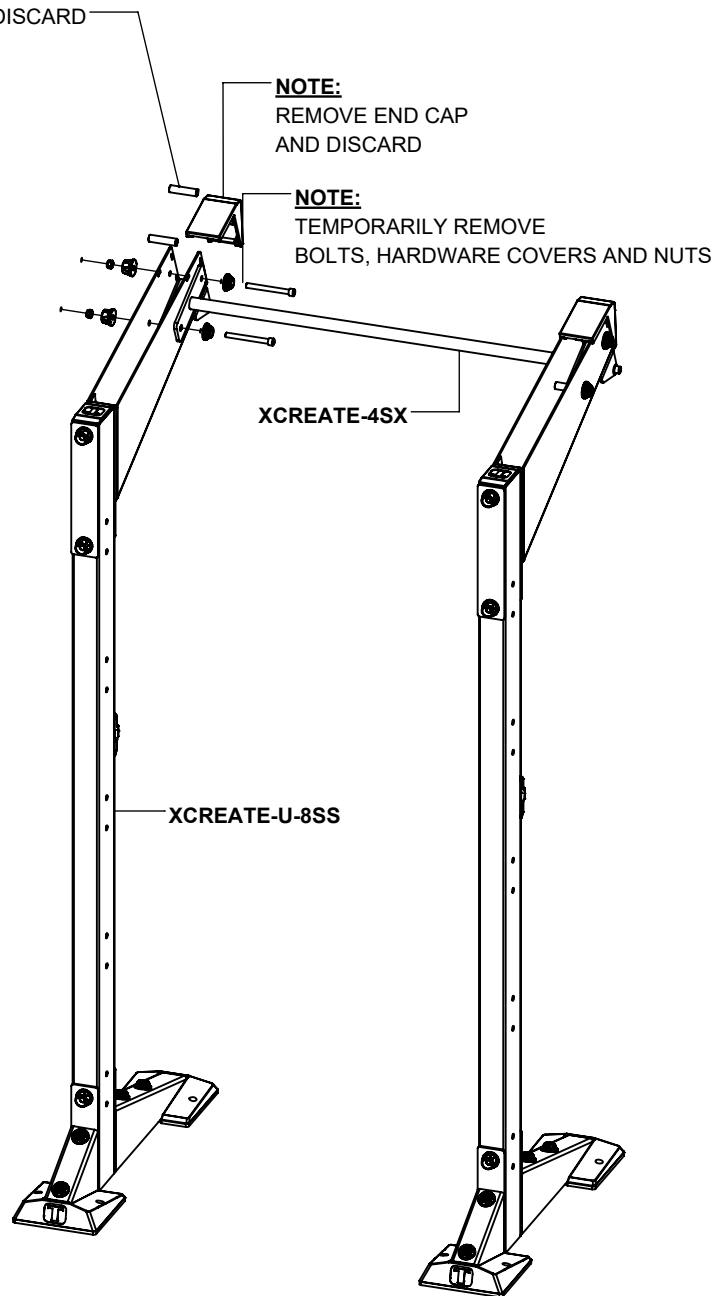
REMOVE SPACERS
(2) AND DISCARD

NOTE:

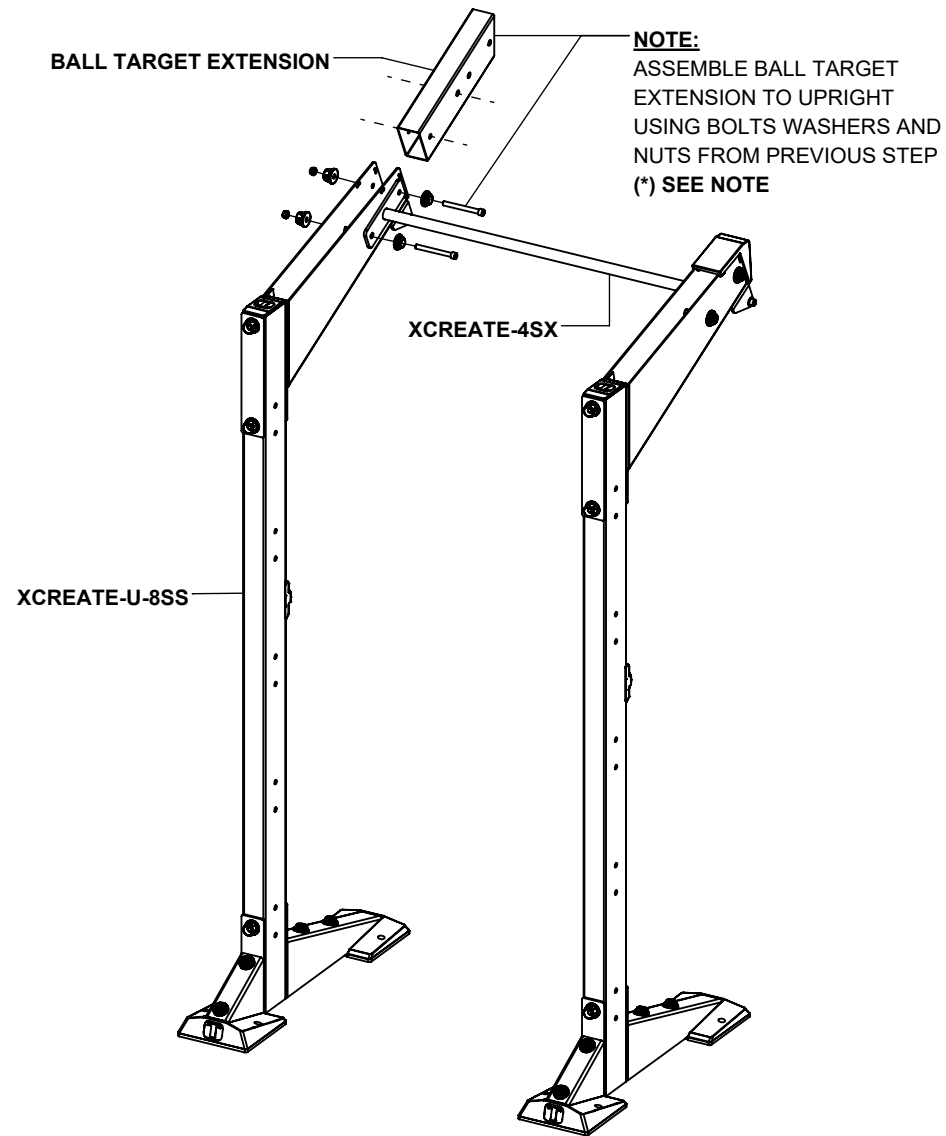
REMOVE END CAP
AND DISCARD

NOTE:

TEMPORARILY REMOVE
BOLTS, HARDWARE COVERS AND NUTS

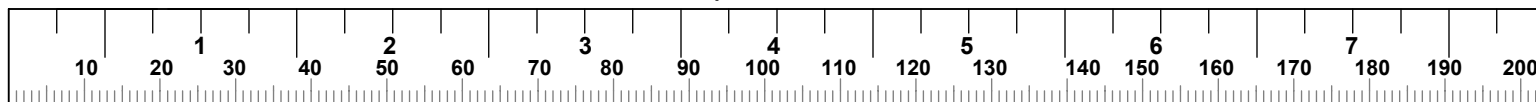


XCREATE-BT BALL TARGET

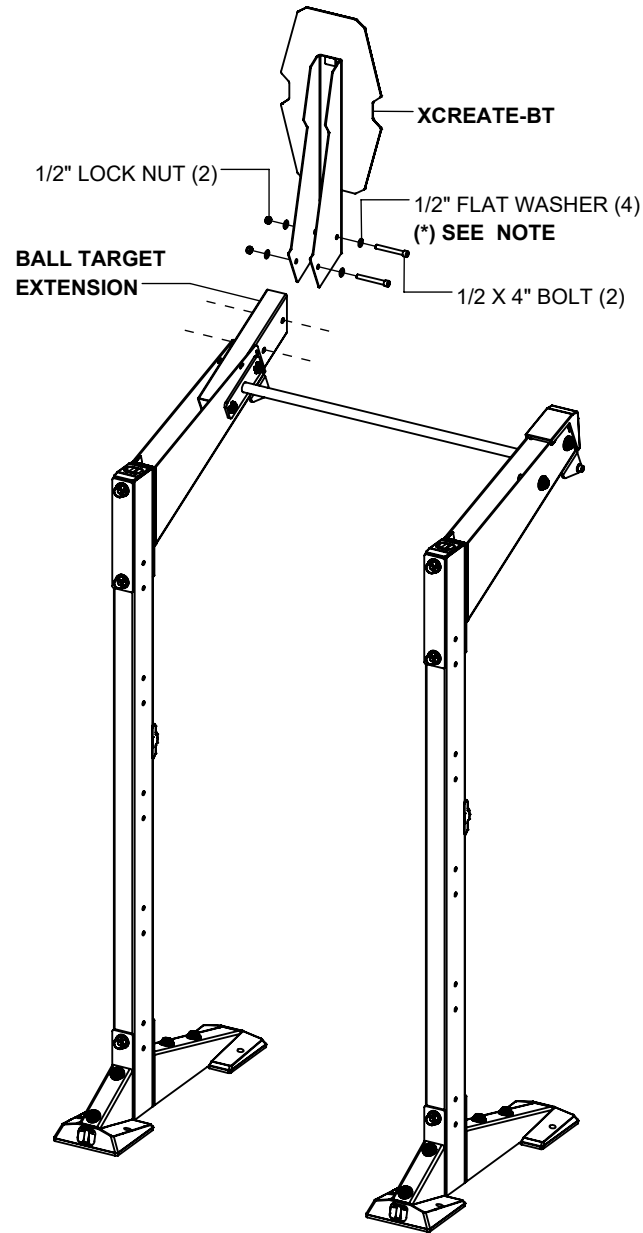


NOTES:

LOOSELY assemble bolt connections in this step.

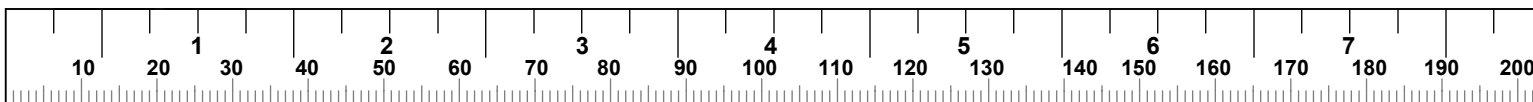


**XCREATE-BT
BALL TARGET**

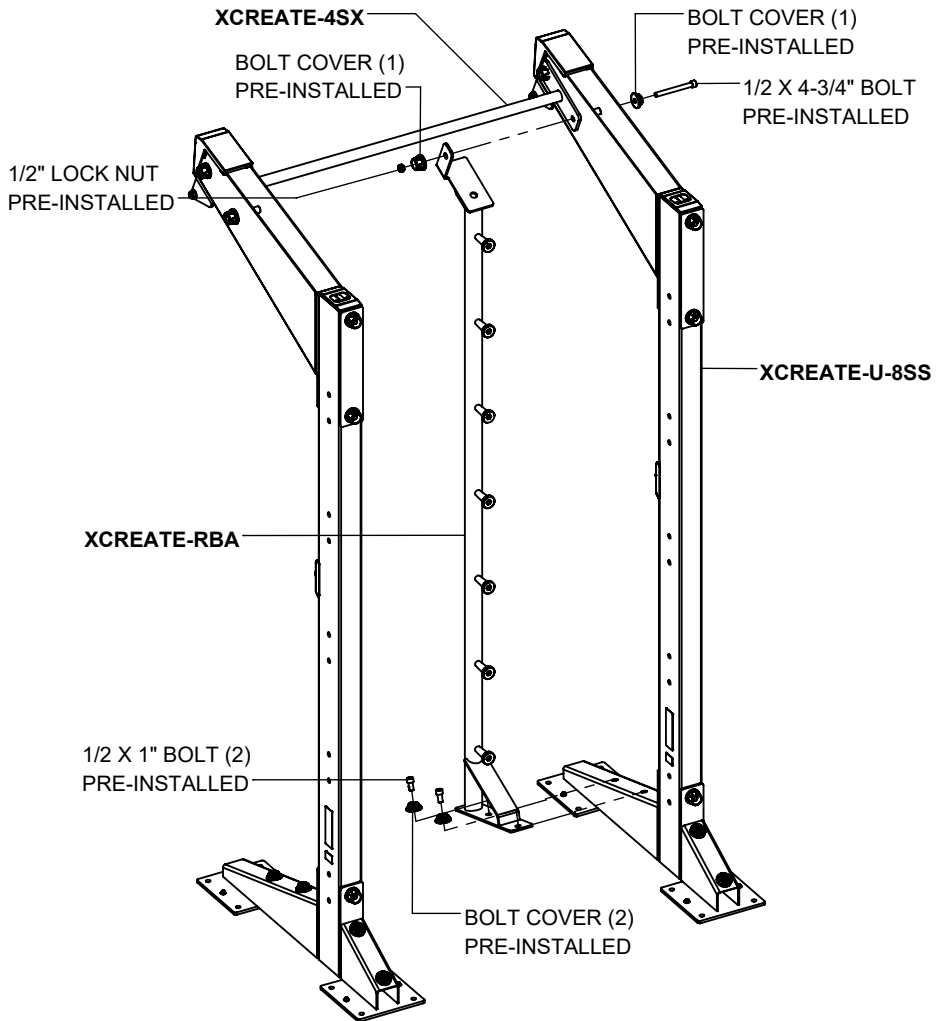
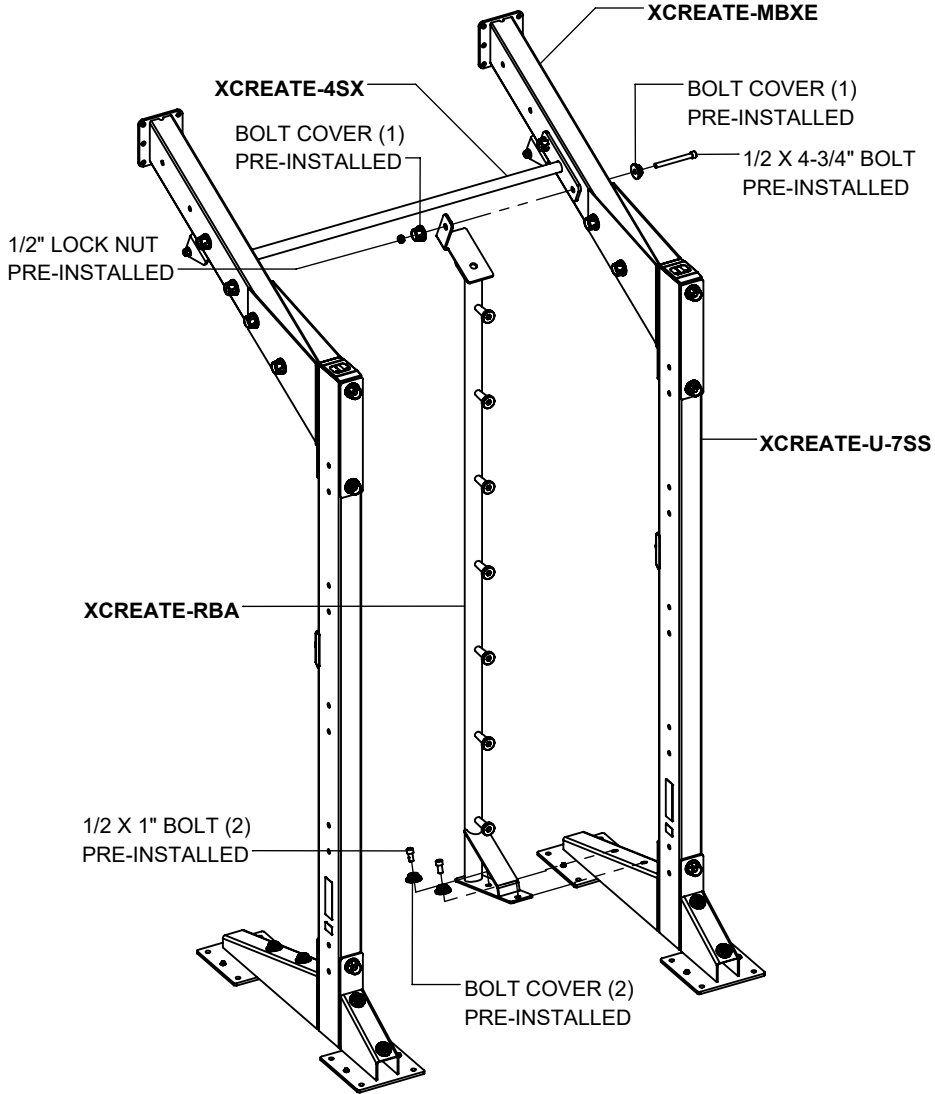


NOTES:

After this step has been completed, **SECURELY** tighten all bolt connections from the last two steps.

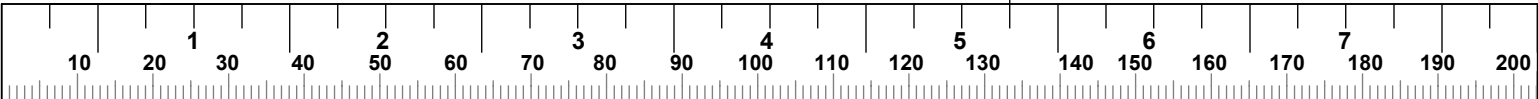


**XCREATE-RBA
RESISTANCE BAND ANCHOR**

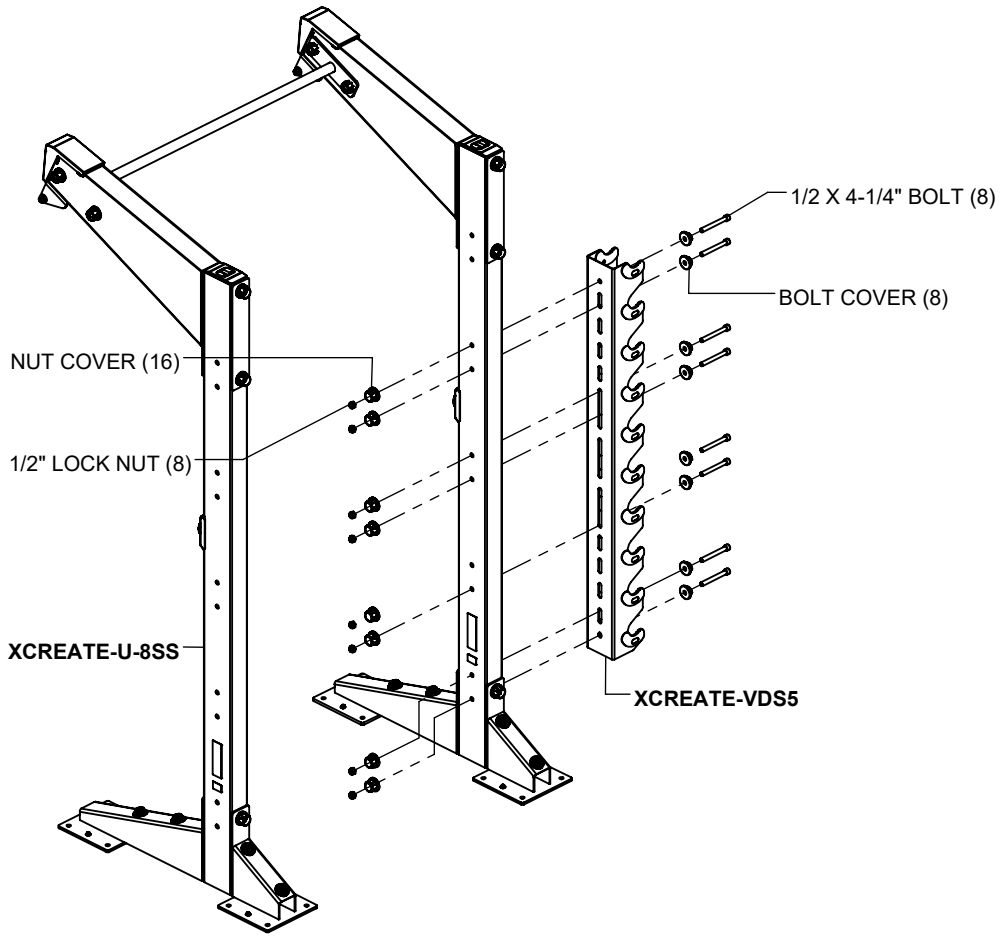
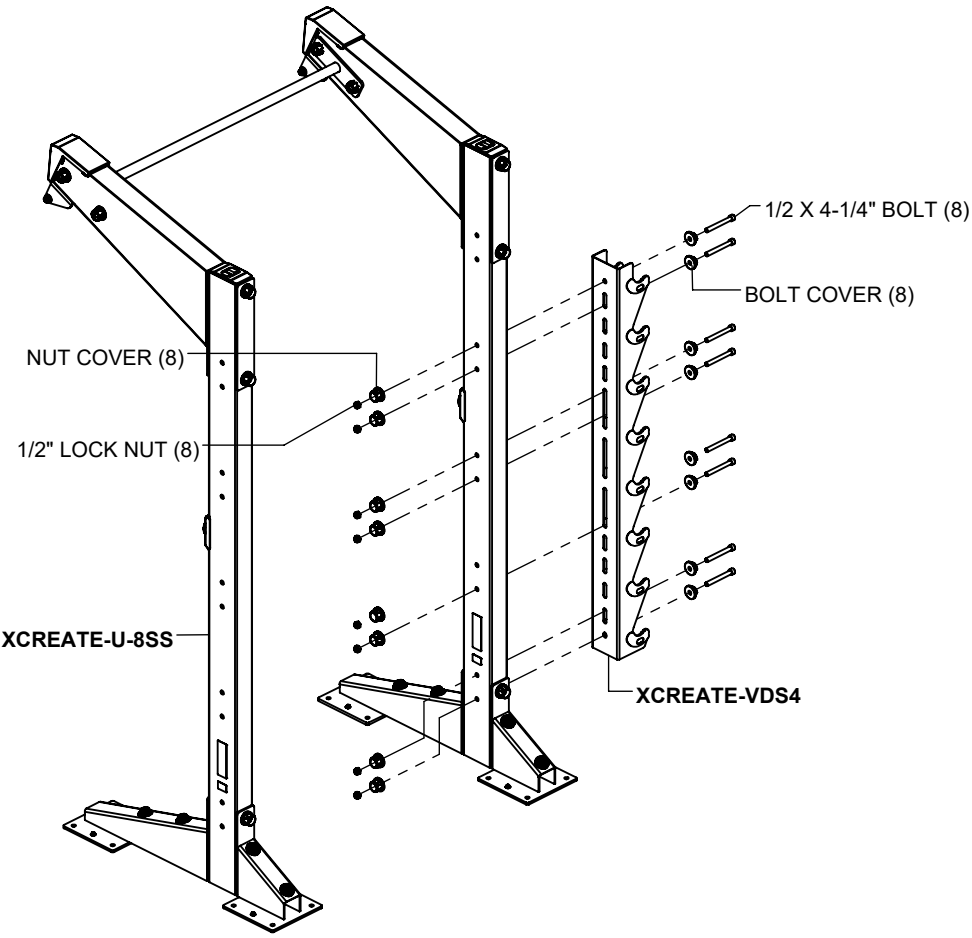


NOTES:

SECURELY tighten all bolt connections in this step.

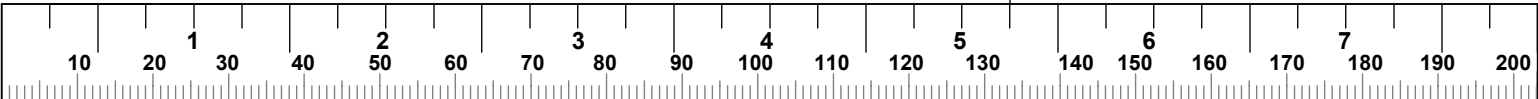


**XCREATE-VDS4 AND VDS5
VERTICAL DUMBBELL STORAGE**



NOTES:

SECURELY tighten all bolt connections in this step.
The **XCREATE-U-7SS** is assembled the exact same way.



**XCREATE-4MGX
4' MULTI GRIP CROSS**

NOTE:

REMOVE END CAPS PRIOR
TO ASSEMBLY RE-ATTACH
END CAPS AFTER ASSEMBLY (2)

NUT COVER (4)
(PRE-INSTALLED)

1/2" LOCK NUT (4)
(PRE-INSTALLED)

NOTE:

MAKE SURE TO USE PRE-
INSTALLED SPACERS (4)

BOLT COVER (4)
(PRE-INSTALLED)

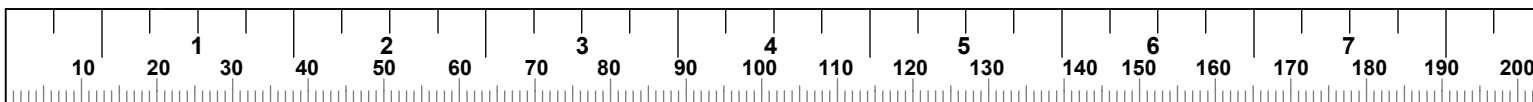
1/2 X 4-3/4" BOLT (4)
(PRE-INSTALLED)

XCREATE-4MGX

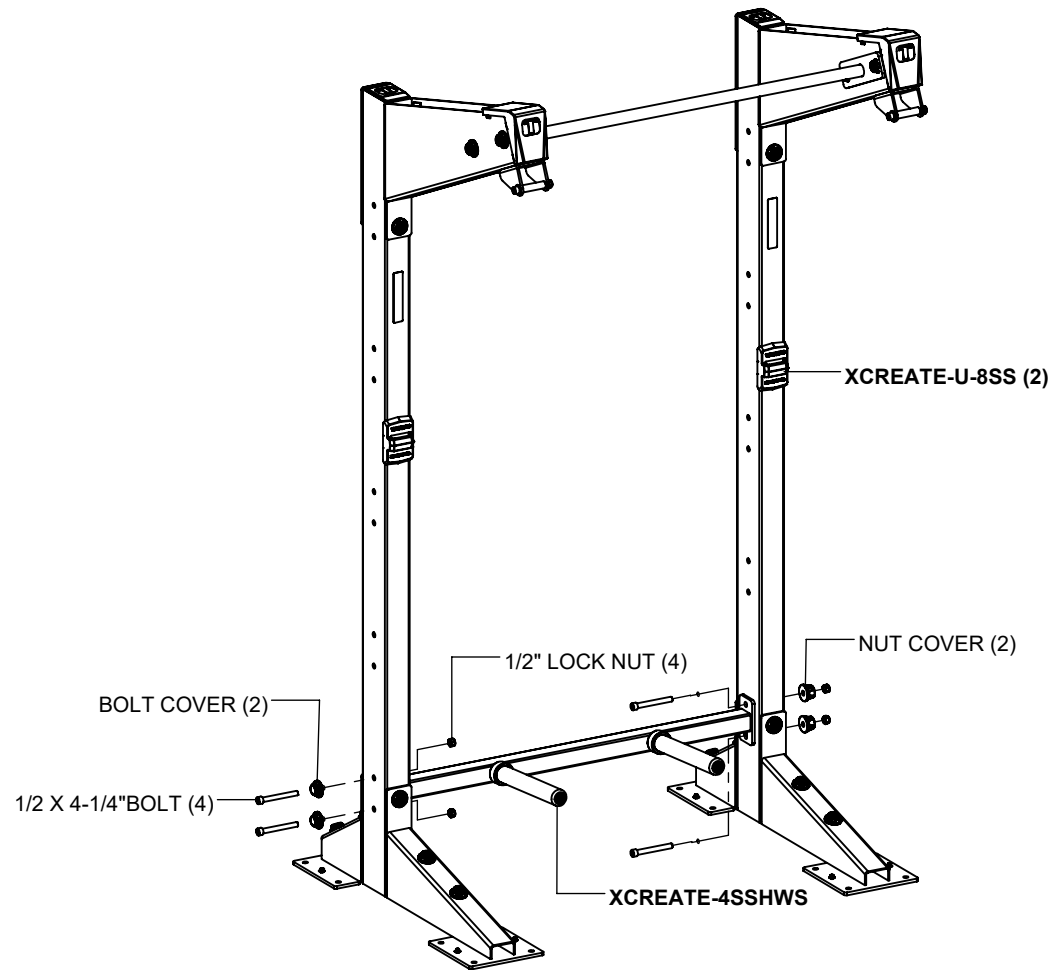
XCREATE-U-8SS (2)

NOTES:

SECURELY tighten all bolt connections in this step.



XCREATE-4SSHWS
4' SINGLE SIDE HORIZONTAL WEIGHT STORAGE

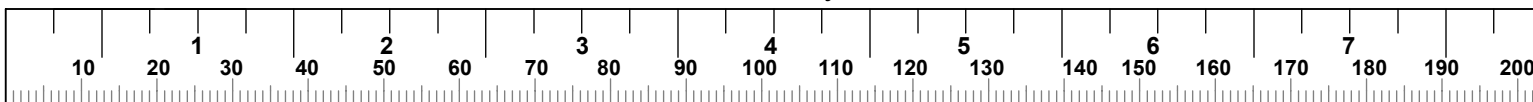


NOTES:

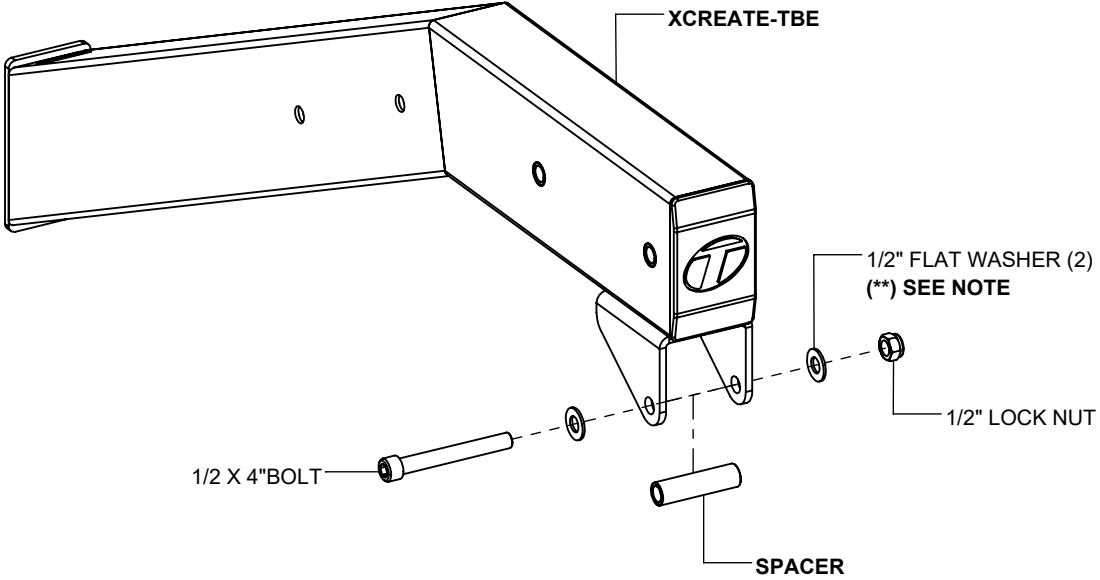
SECURELY tighten all bolt connections in this step.

(*) **HARDWARE COVERS CANNOT** be used on plate side.

The **XCREATE-U-7SS** is assembled the exact same way.



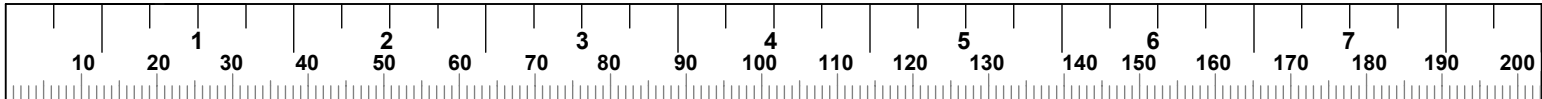
**XCREATE-TBE
TOP BOOM EXTENSION**



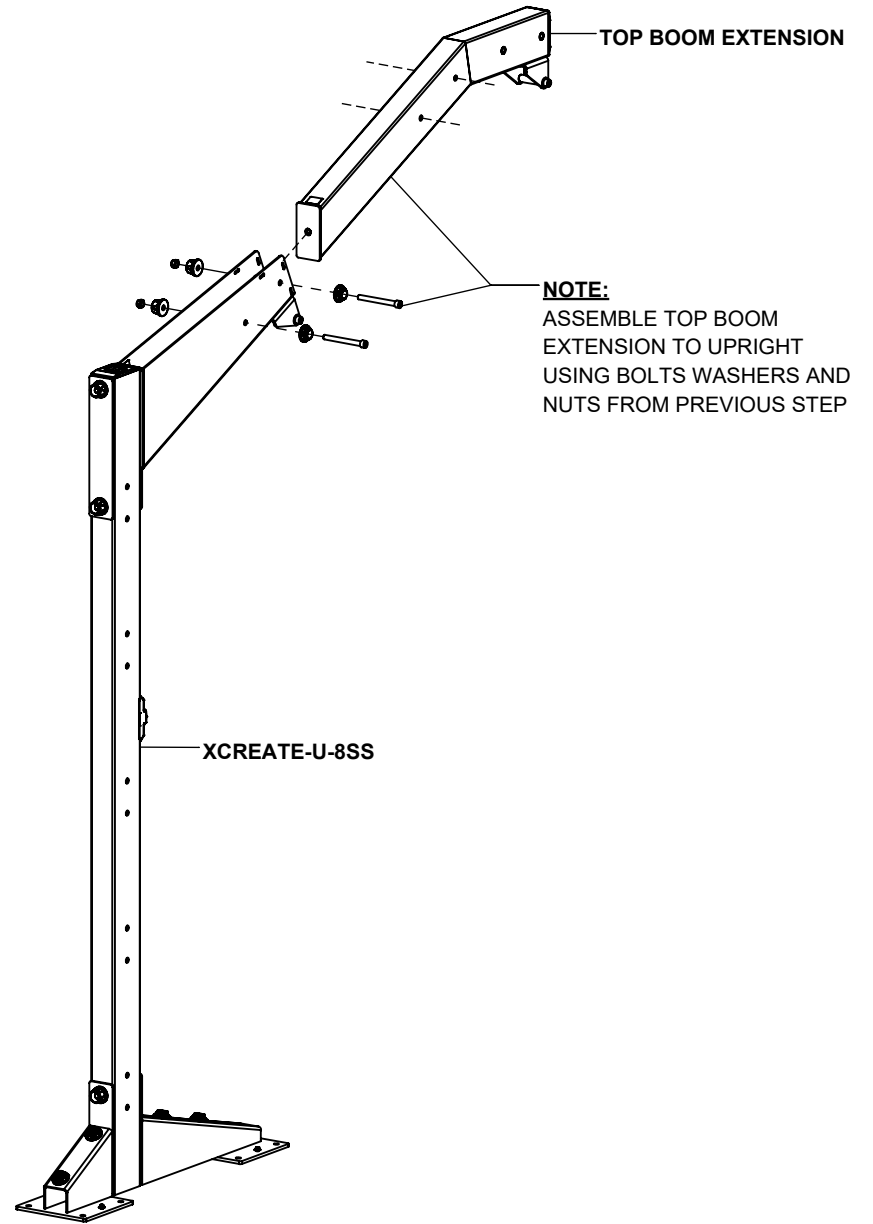
NOTES:

SECURELY tighten bolt connection in this step.

(**) **HARDWARE COVERS CANNOT** be used in place of washers in this step.



**XCREATE-TBE
TOP BOOM EXTENSION**



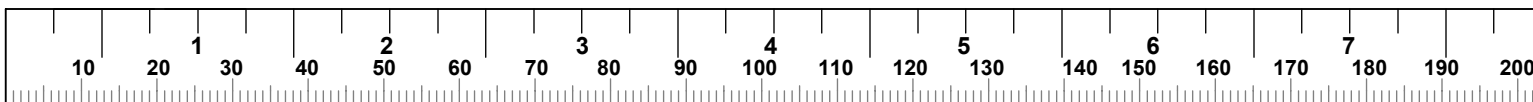
NOTES:

Repeat this step for as many TOP BOOM EXTENSIONS there are to assemble.

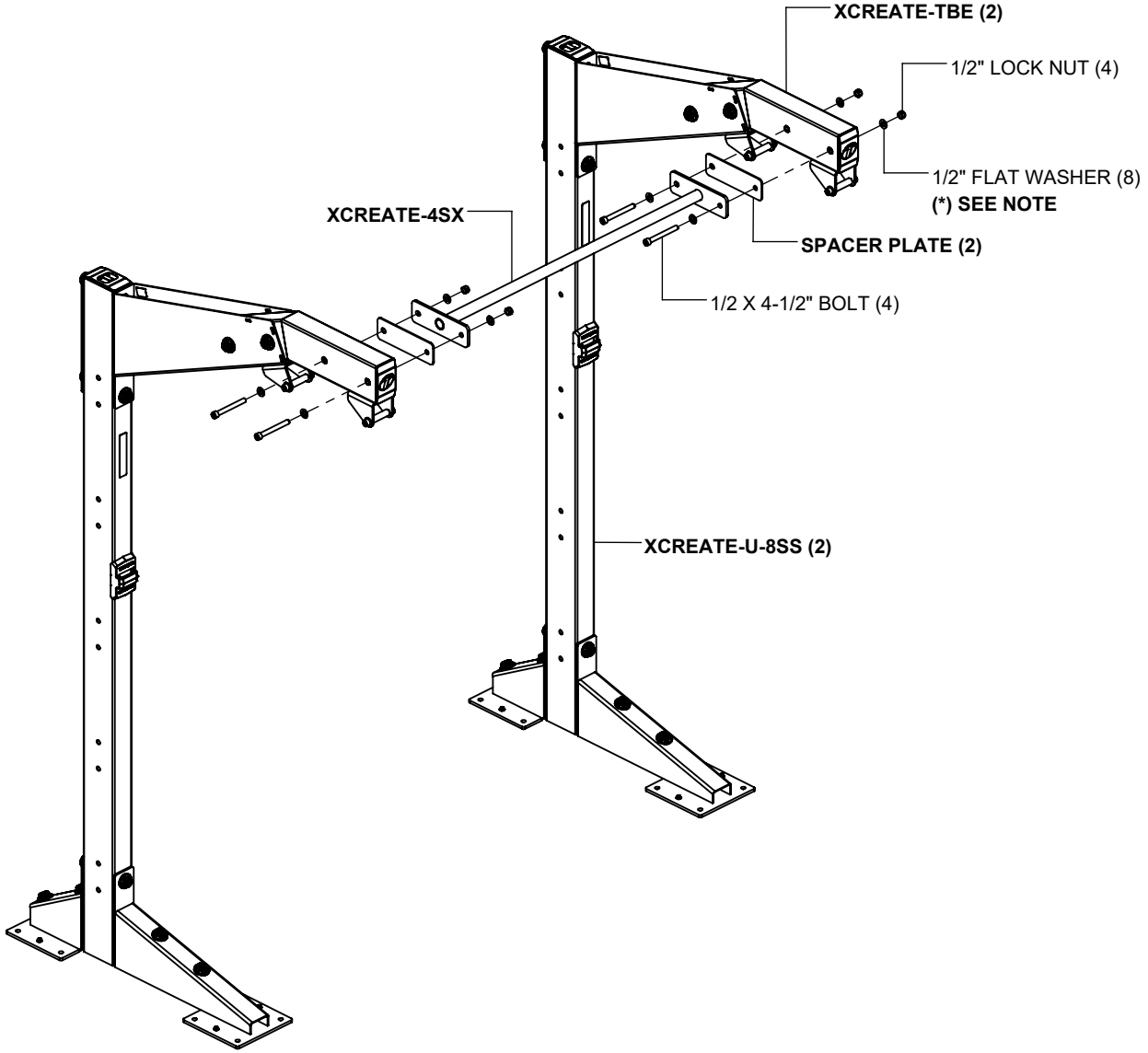
If only one TOP BOOM EXTENSION is being assembled, then **SECURELY** tighten all bolt connections in this step.

If joining two TOP BOOM EXTENSIONS together, then keep all bolt connections loose until next step.

(*) HARDWARE COVERS **CAN** be used in place of washers in this step. (SEE PAGE 3).



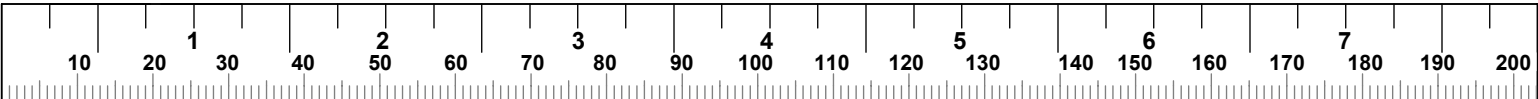
**XCREATE-TBE
TOP BOOM EXTENSION**



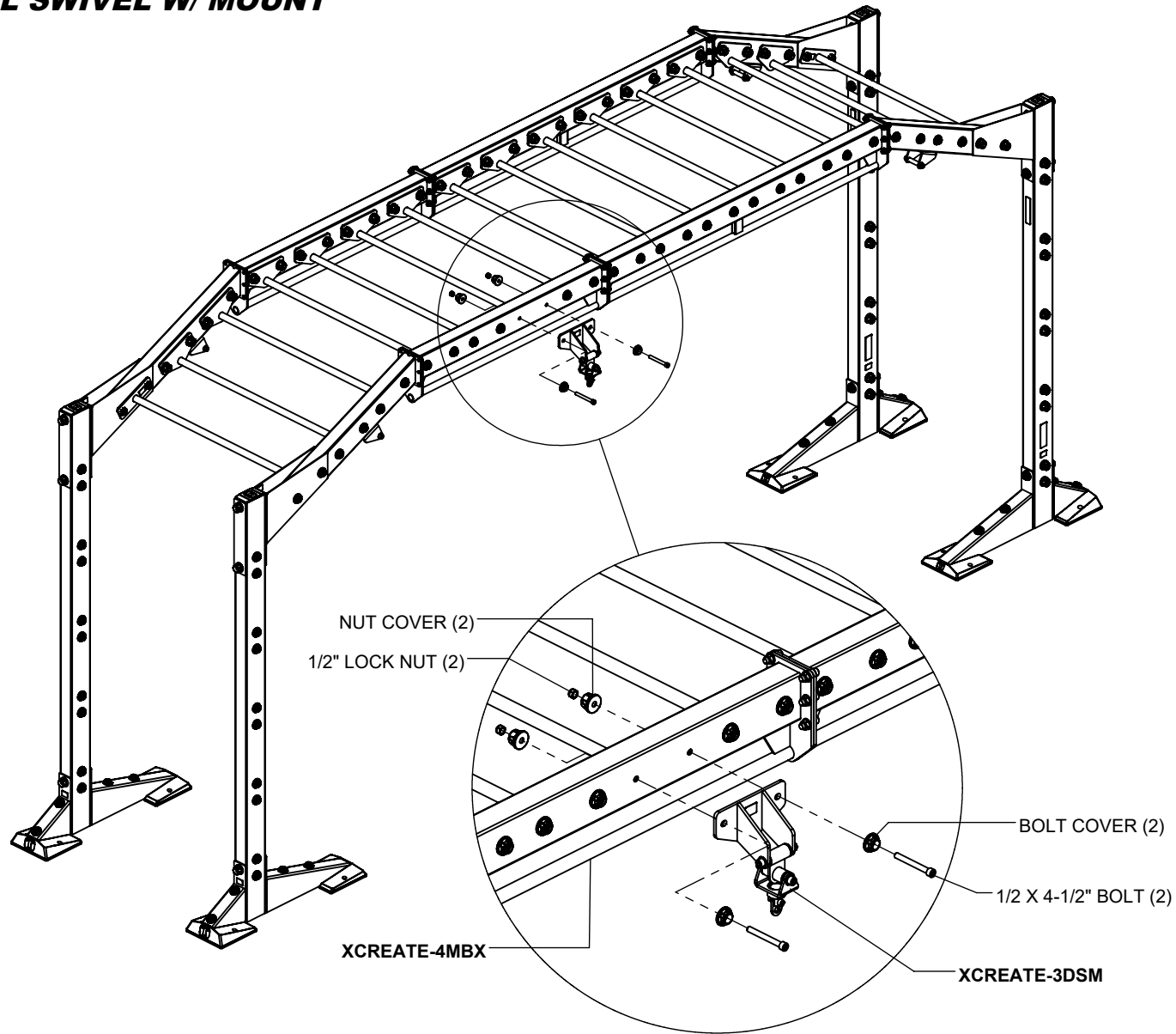
NOTES:

SECURELY tighten all bolt connections in this step.

(* **HARDWARE COVERS CAN** be used in place of washers in this step. **(SEE PAGE 3).**

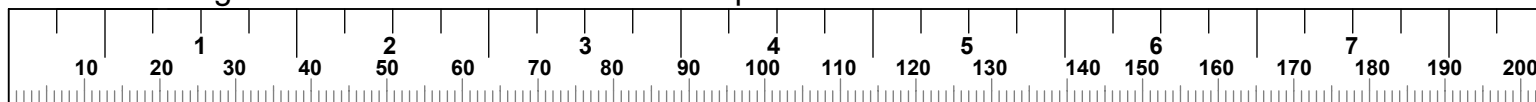


XCREATE-3DSM
3 DIMENSIONAL SWIVEL W/ MOUNT

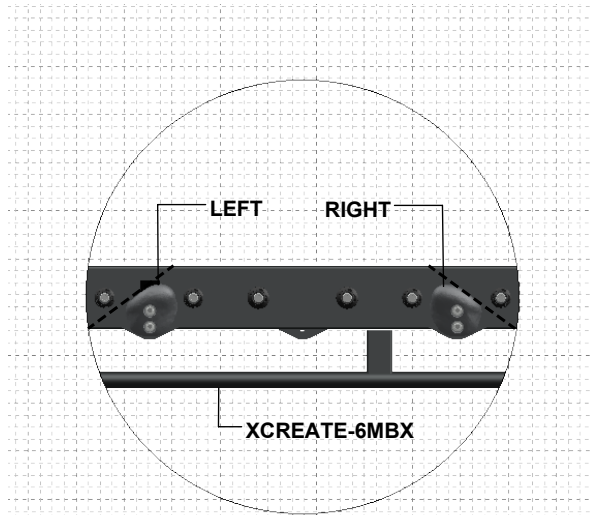
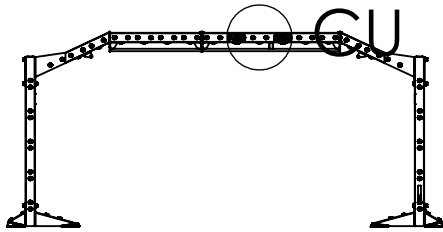


NOTES:

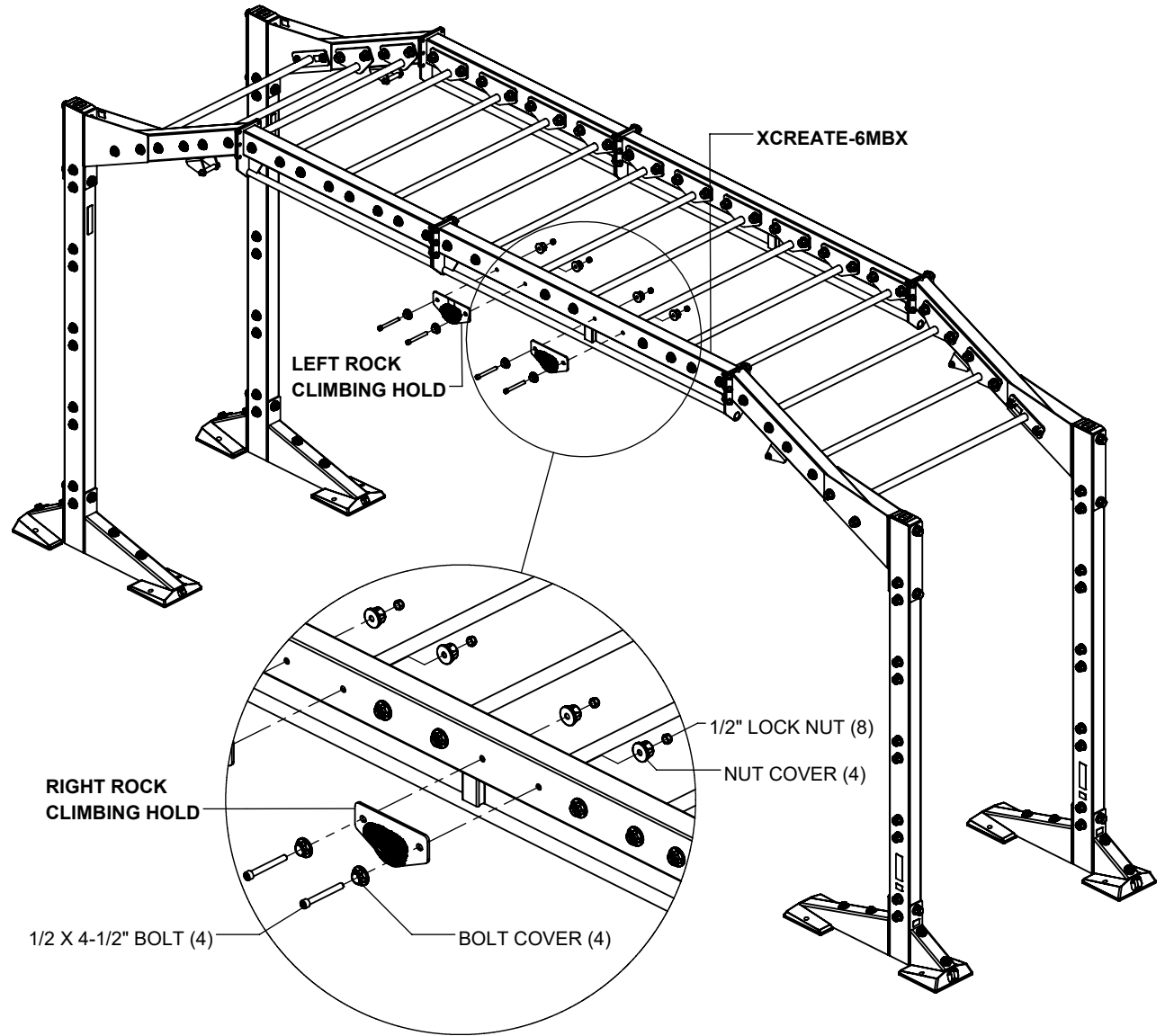
SECURELY tighten all bolt connections in this step.



XRACK-RCK ROCK CLIMBING KIT

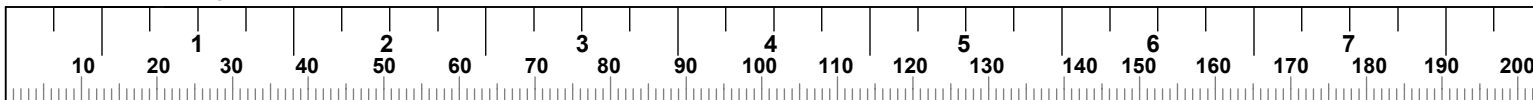


NOTE:
MAKE SURE THE LEFT AND RIGHT ROCK CLIMBING
HOLDS ANGLE IN TOWARDS EACH OTHER.

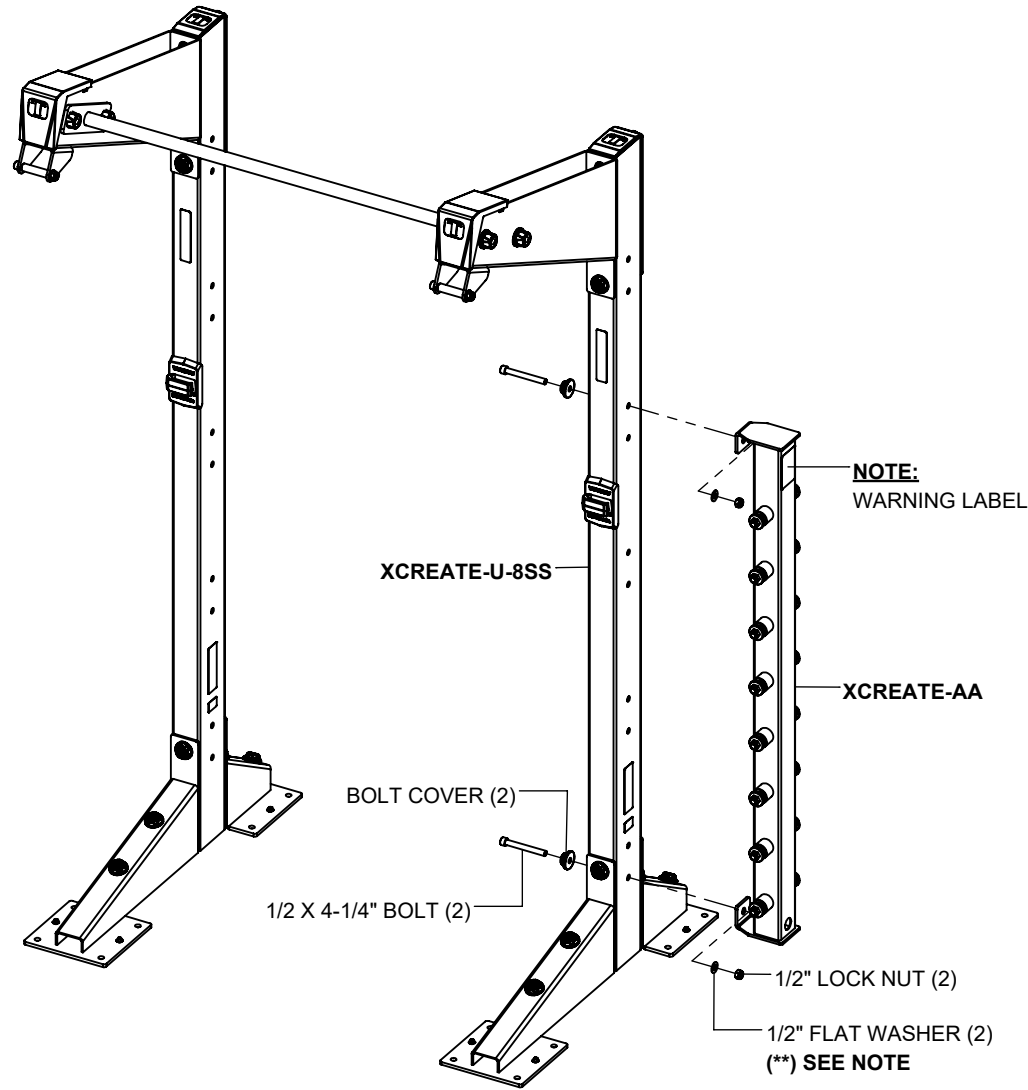


NOTES:

SECURELY tighten all bolt connections in this step.



XCREATE-AA ATTACHMENT ANCHOR

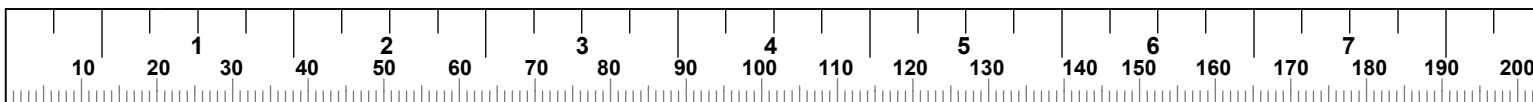


NOTES:

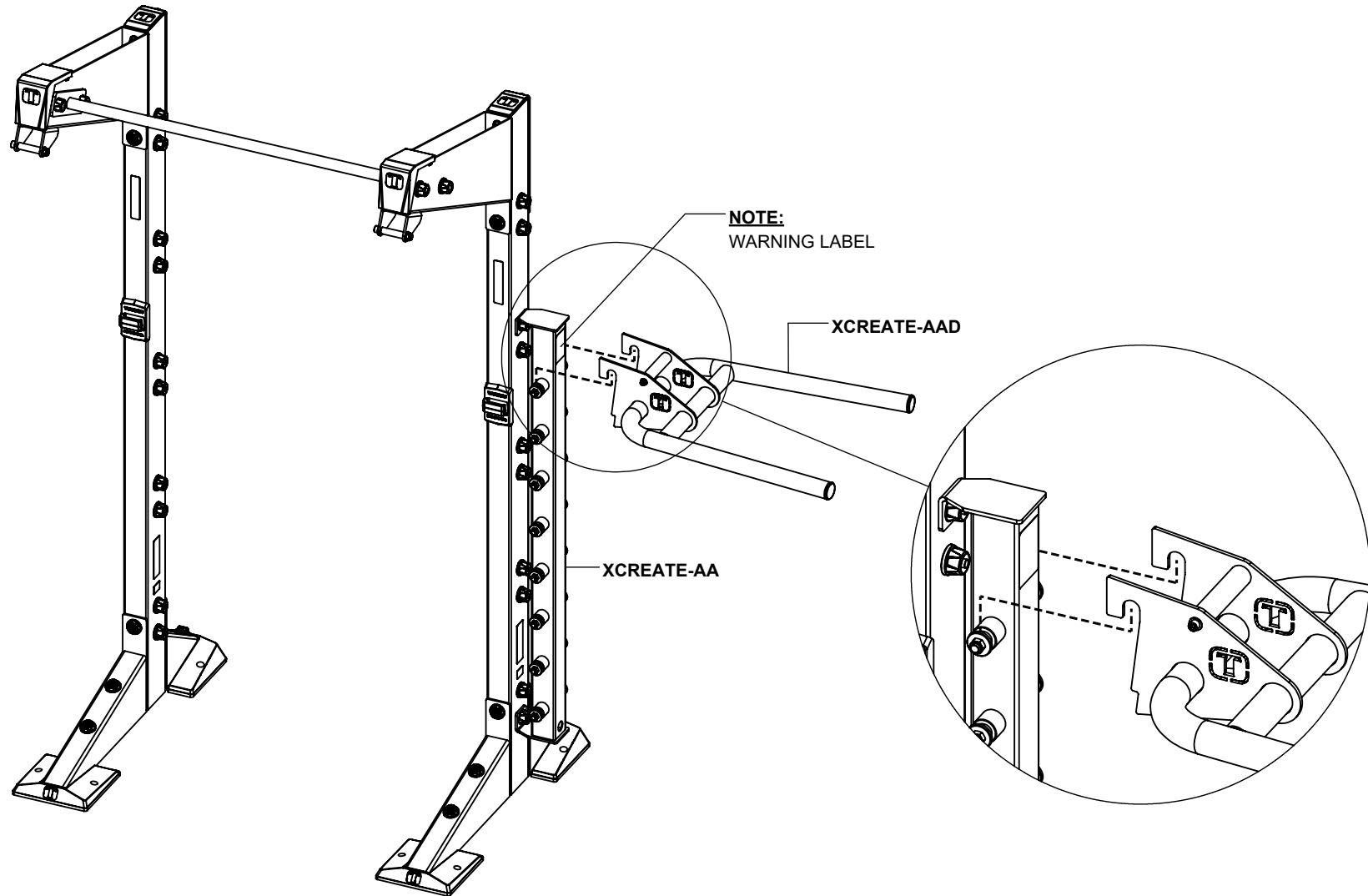
SECURELY tighten all bolt connections in this step.

(**) **HARDWARE COVERS CANNOT** be used on plate side.

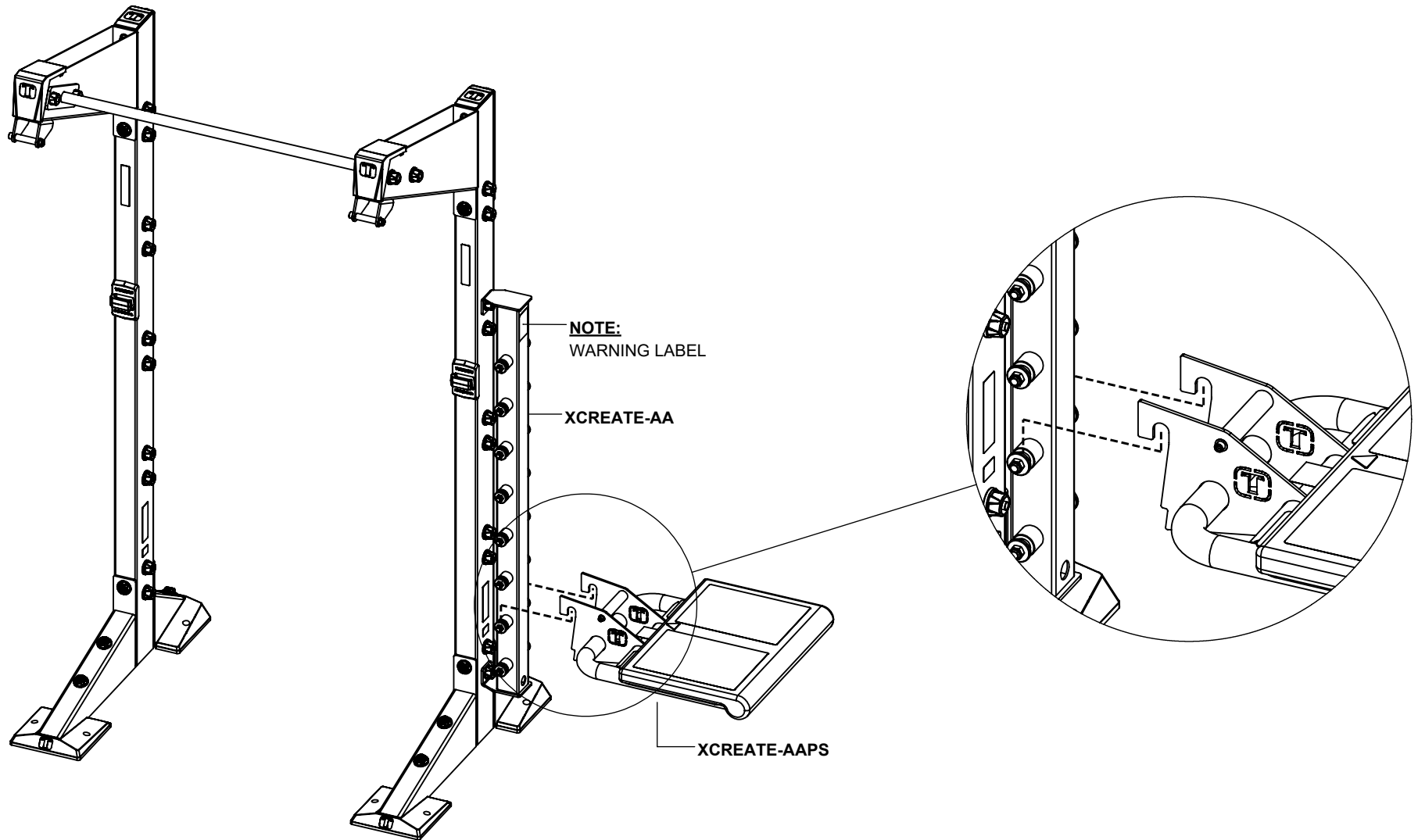
The **XCREATE-U-7SS** is assembled the exact same way.



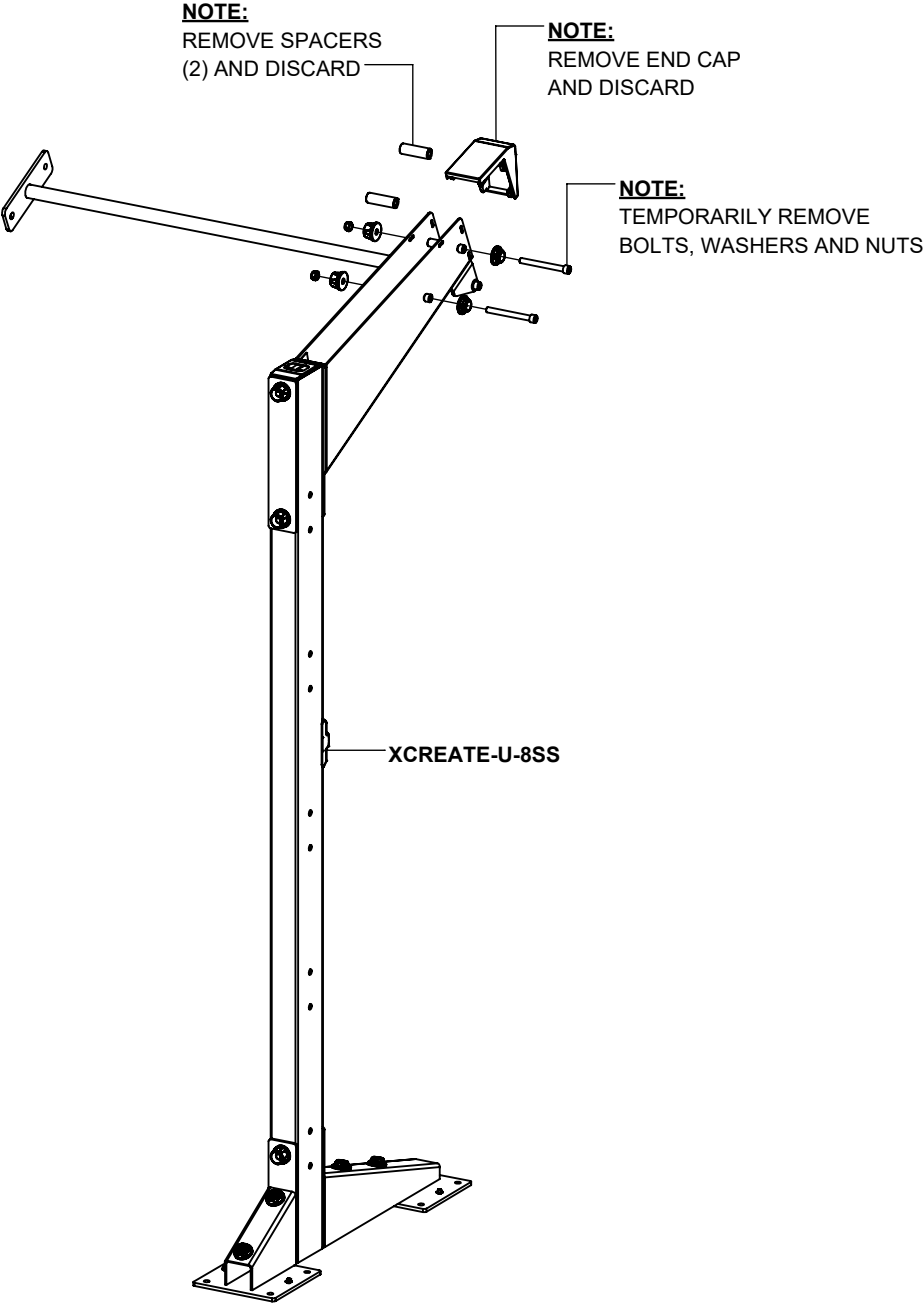
**XCREATE-AAD
DIP ATTACHMENT**



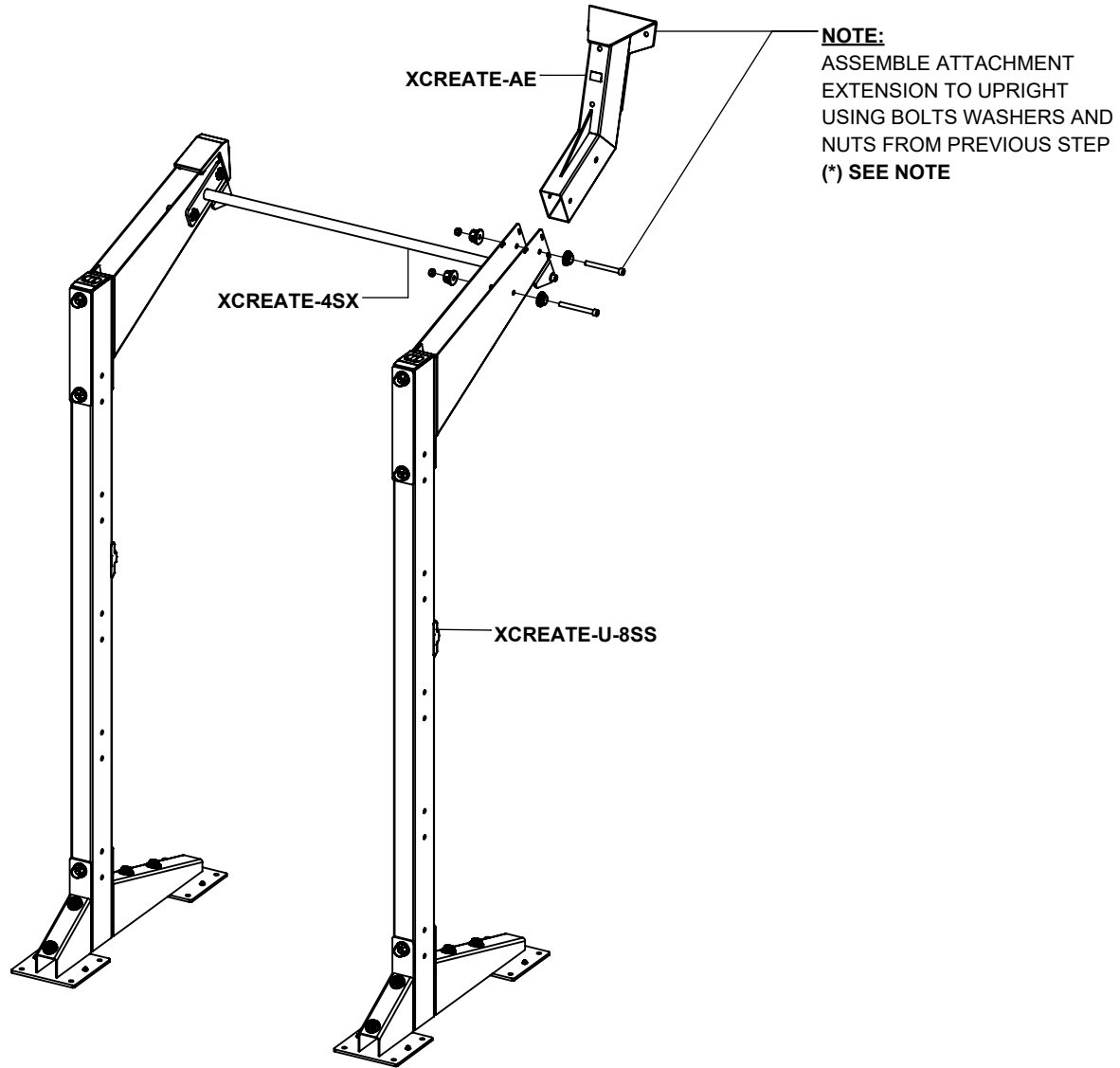
**XCREATE-AAPS
PLYO STEP**



**XCREATE-AE
ATTACHMENT EXTENSION**

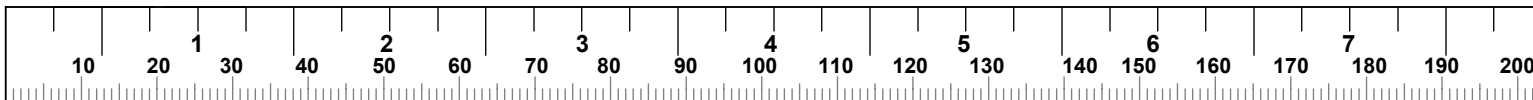


XCREATE-AE ATTACHMENT EXTENSION

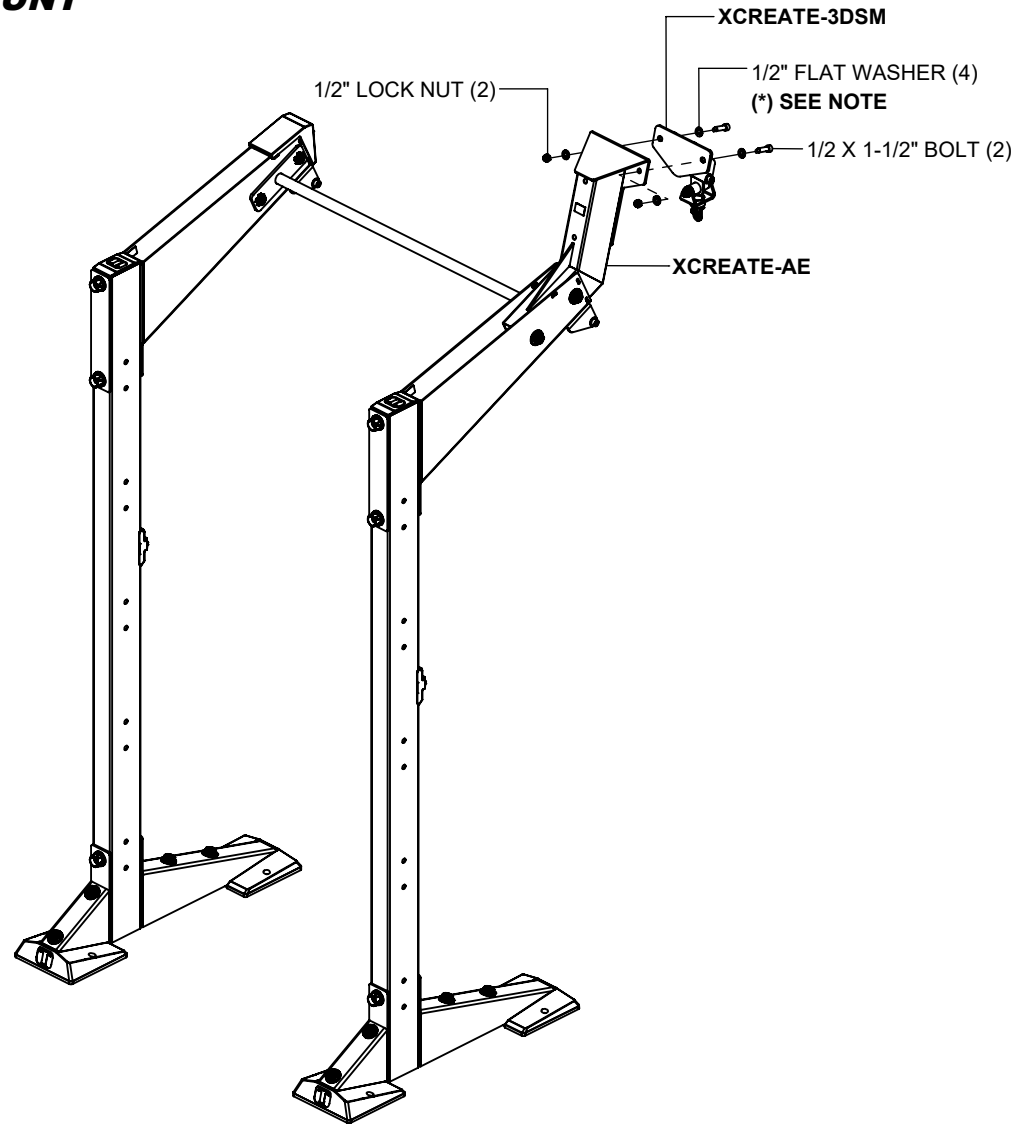


NOTES:

SECURELY assemble bolt connections in this step.



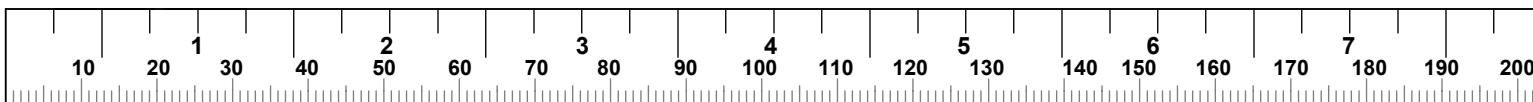
**XCREATE-AE & XCREATE-3DSM
ATTACHMENT EXTENSION AND
3 DIMENSIONAL SWIVEL W MOUNT**



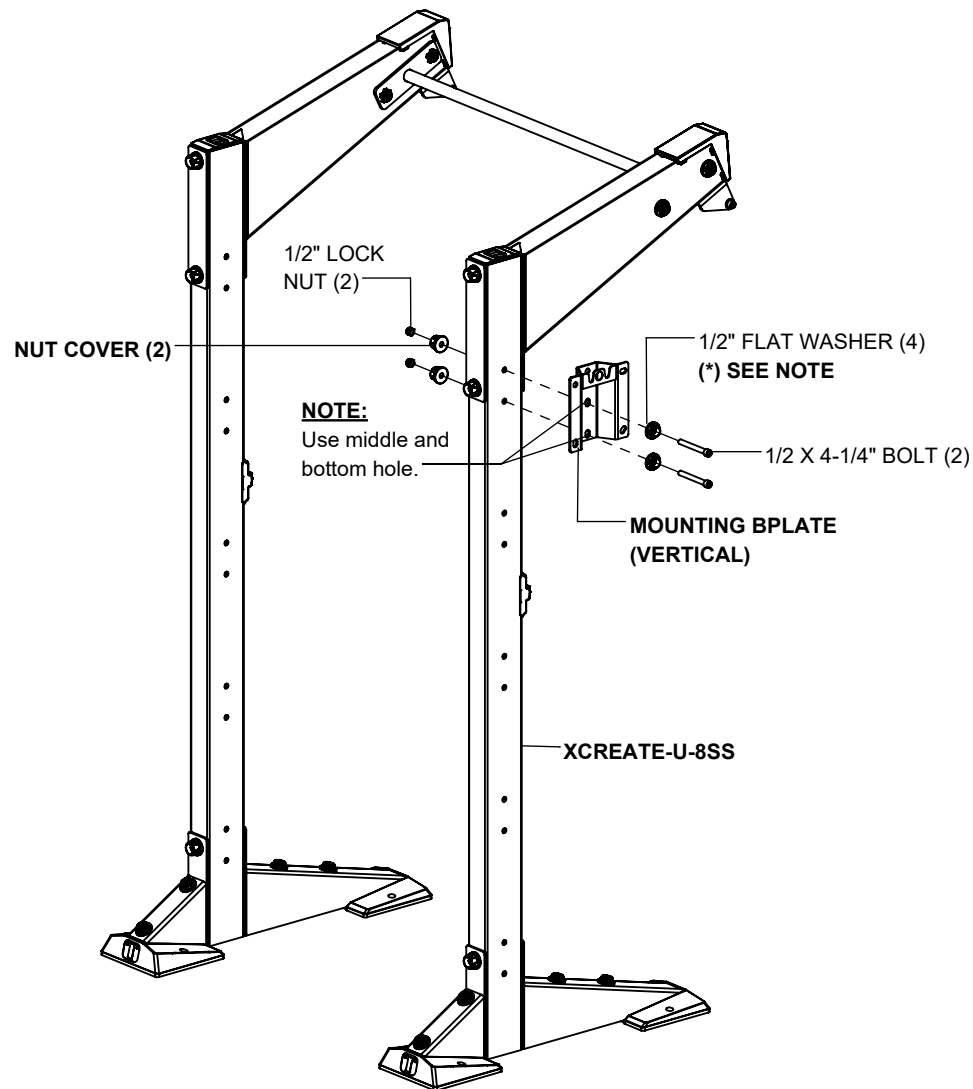
NOTES:

SECURELY assemble bolt connections in this step.

(*) HARDWARE COVERS **CAN** be used in place of washers in this step. (SEE PAGE 3).



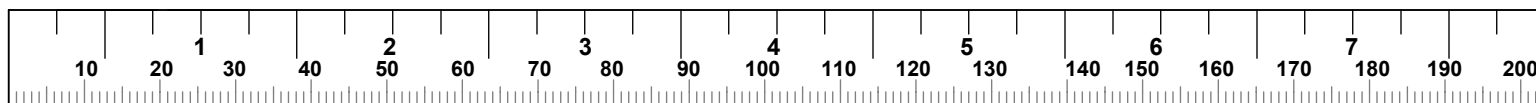
XERT RELENTLESS ROPE TRAINER (UPRIGHT MOUNT)



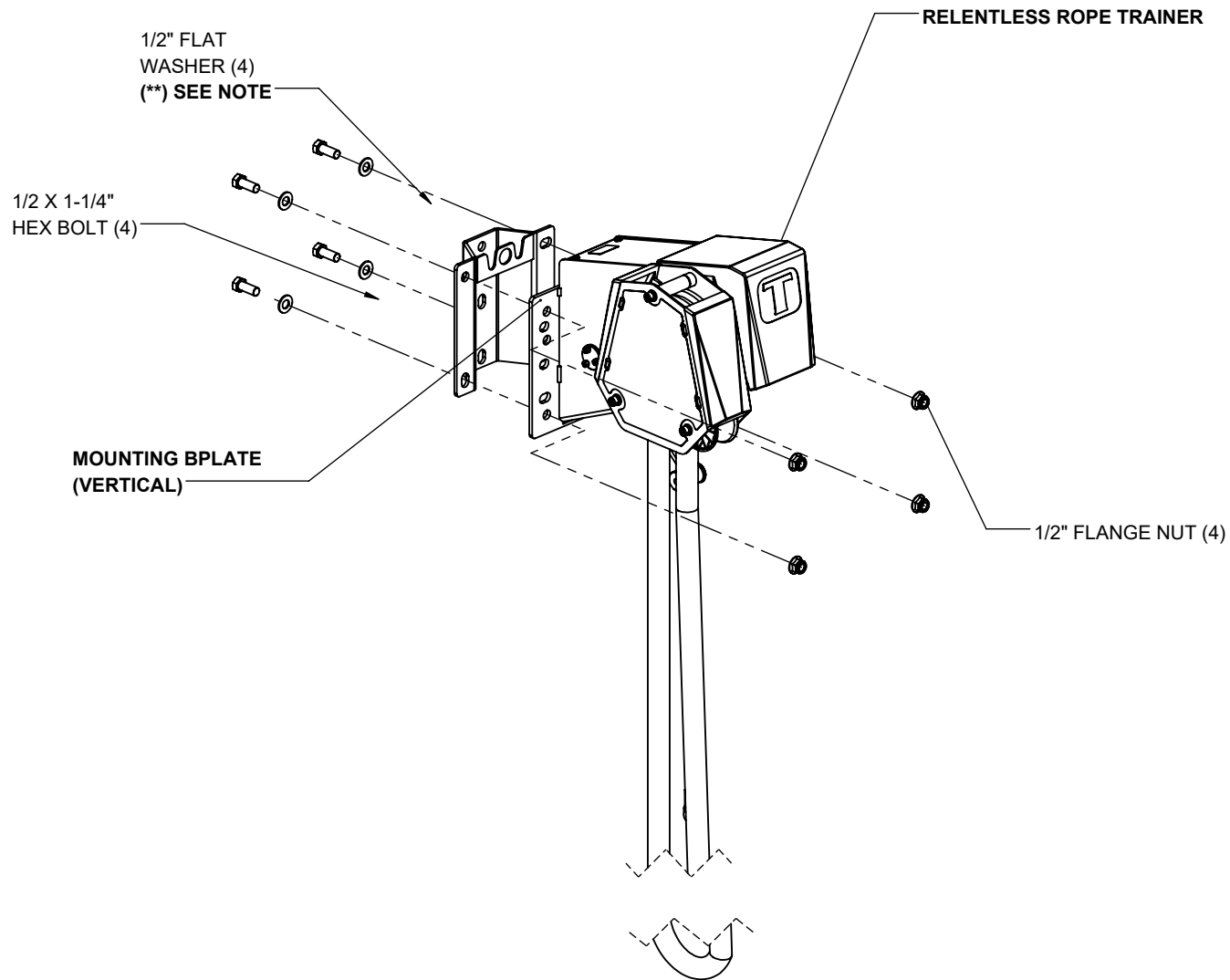
NOTES:

SECURELY tighten all bolt connections in this step.

(*) HARDWARE COVERS **CAN** be used in place of washers in this step. (SEE PAGE 3).



XERT RELENTLESS ROPE TRAINER (UPRIGHT MOUNT)

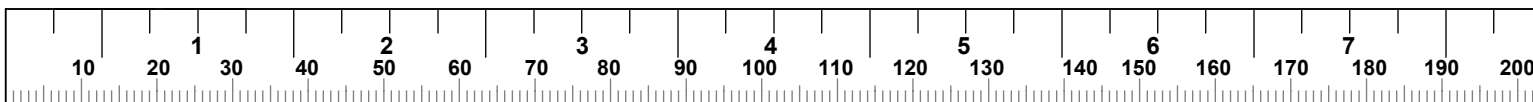


NOTES:

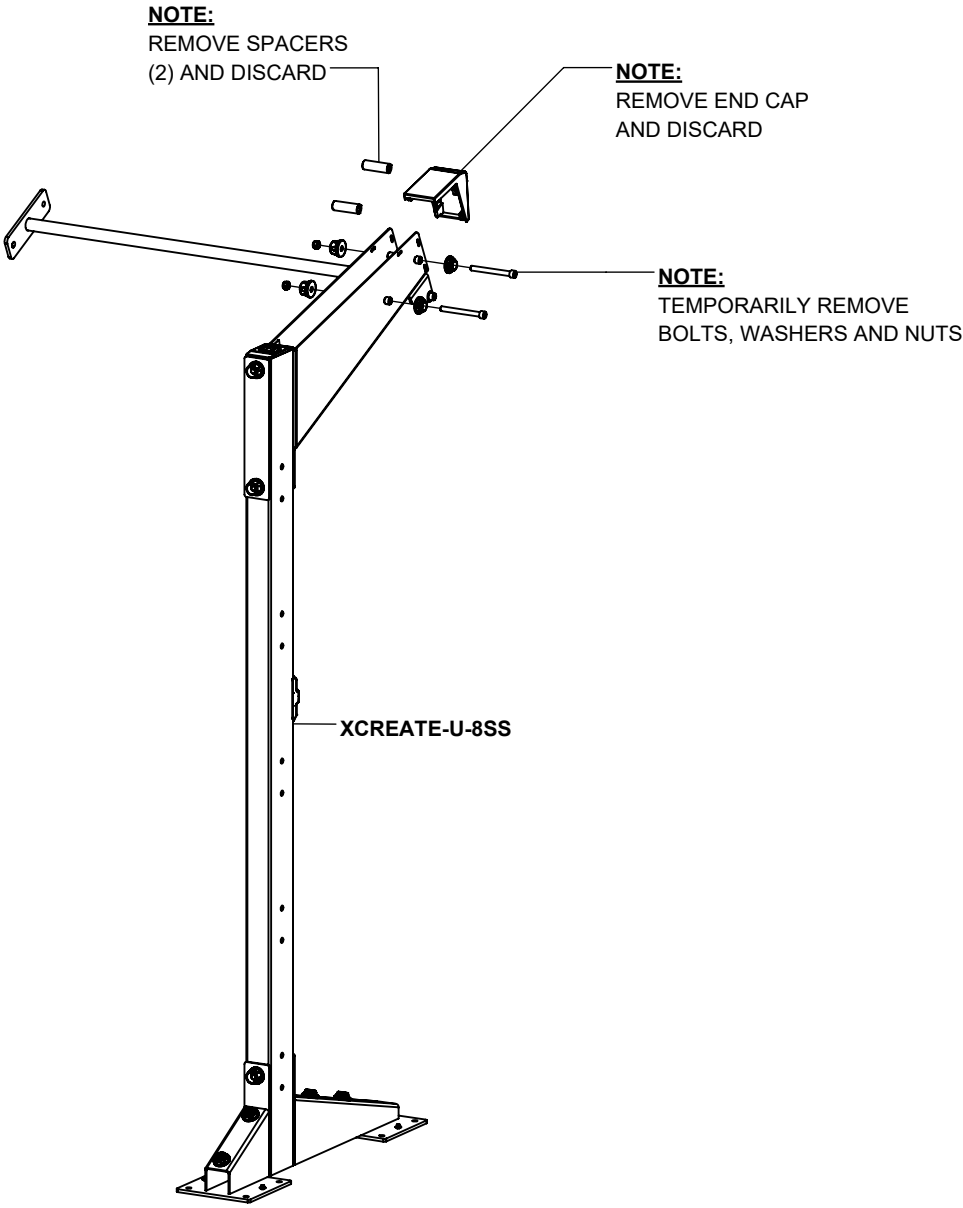
SECURELY tighten all bolt connections in this step.

(**) **HARDWARE COVERS CANNOT** be used in place of washers in this step.

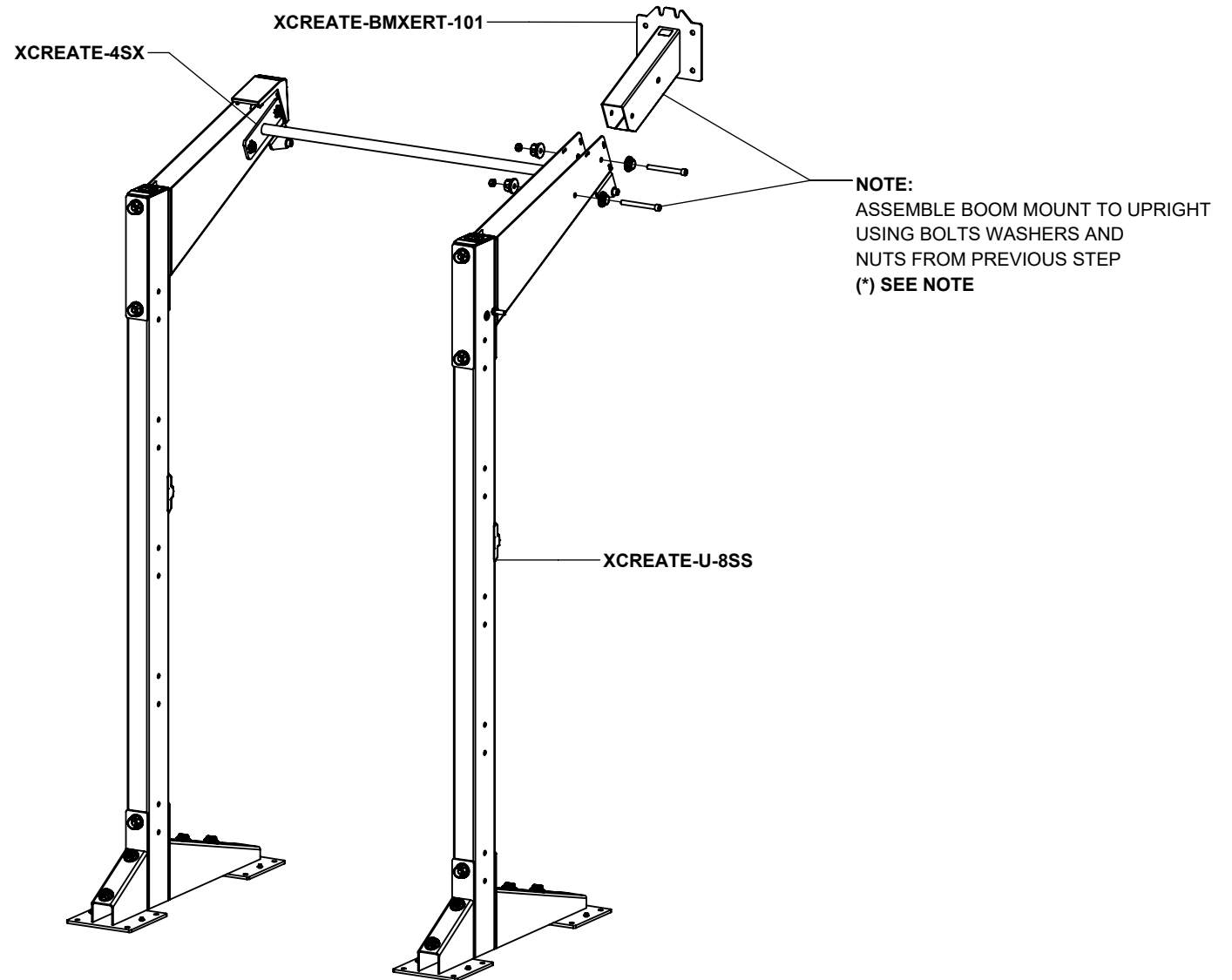
XCREATE has been hidden for assembly clarity.



**XCREATE-BM
BOOM MOUNT**



XERT RELENTLESS ROPE TRAINER (BOOM MOUNT)

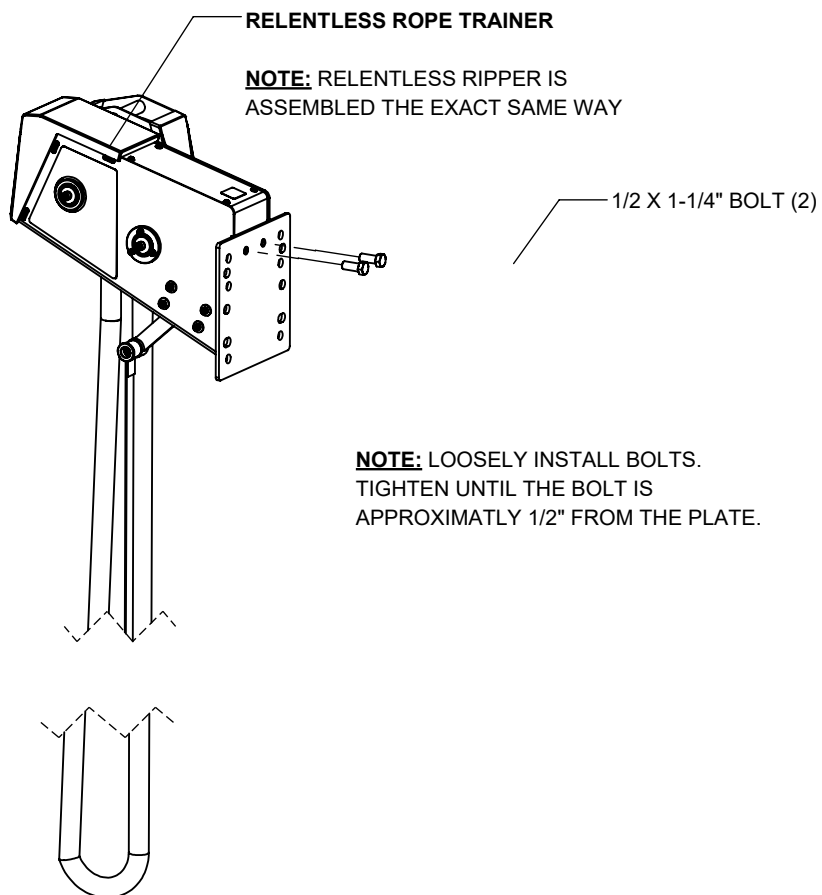


NOTE:

SECURELY tighten all bolt connections in this step.

(* **HARDWARE COVERS** **CAN** be used in place of washers in this step. (**SEE PAGE 3**)

XCREATE-BMXERT RELENTLESS ROPE TRAINER / RELENTLESS RIPPER

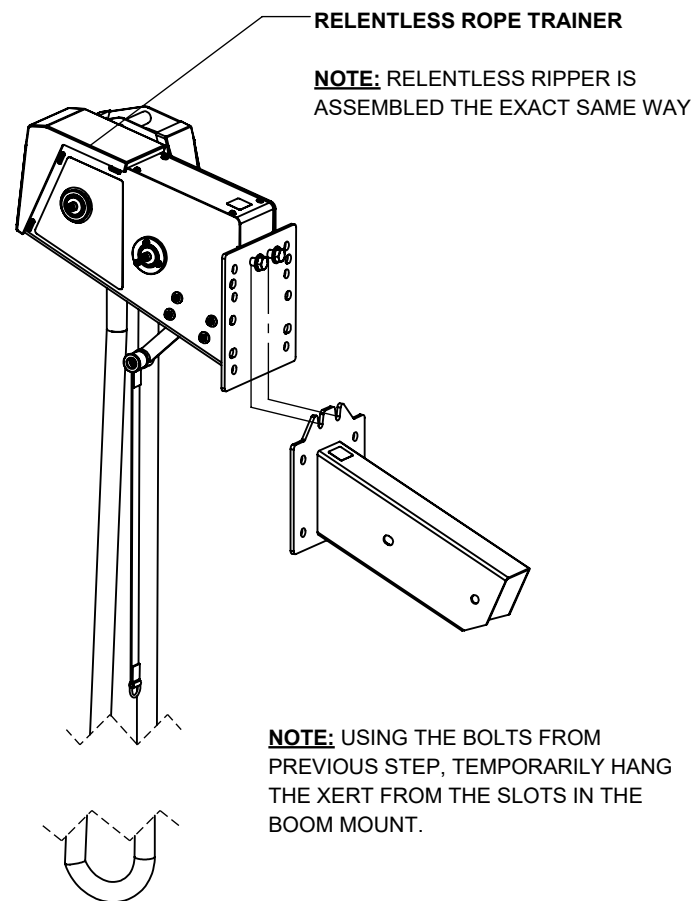


NOTE:

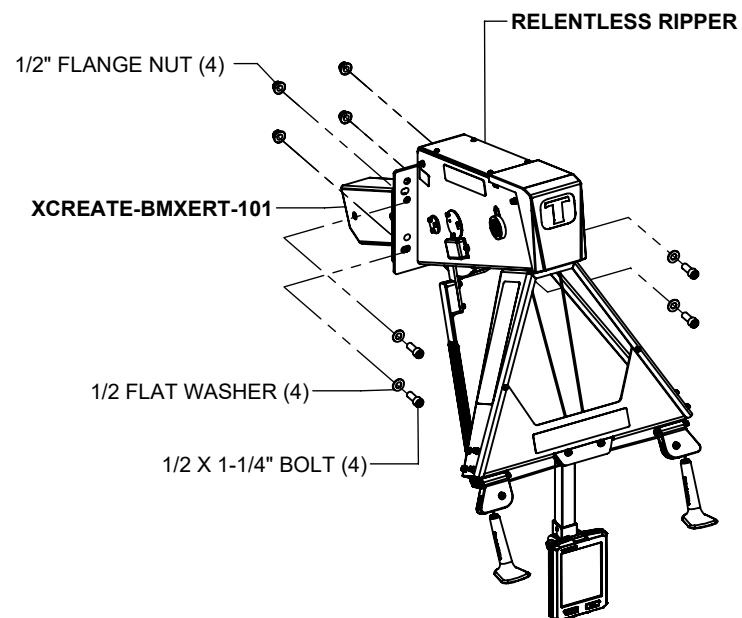
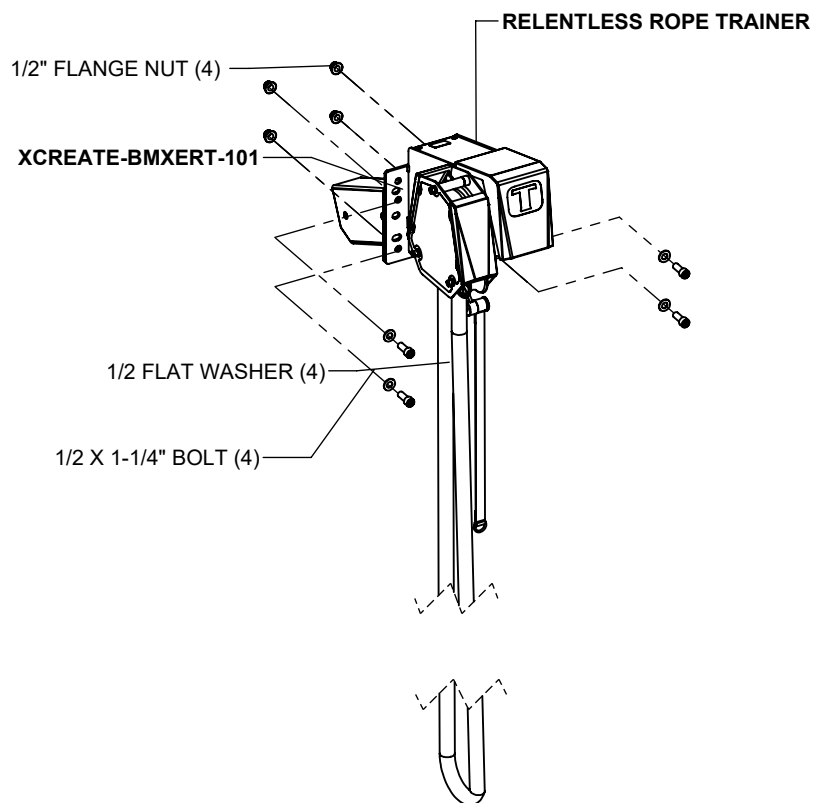
The **Relentless Rope Trainer** is shown, follow the exact same steps to assemble the **Relentless Ripper**.

(**) **HARDWARE COVERS** **CANNOT** be used in place of washers in this step.

XCREATE has been hidden for assembly clarity.



XCREATE-BMXERT RELENTLESS ROPE TRAINER / RELENTLESS RIPPER

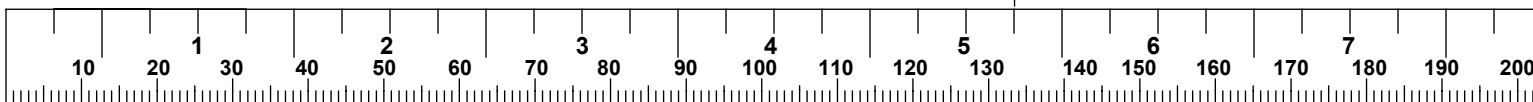


NOTE:

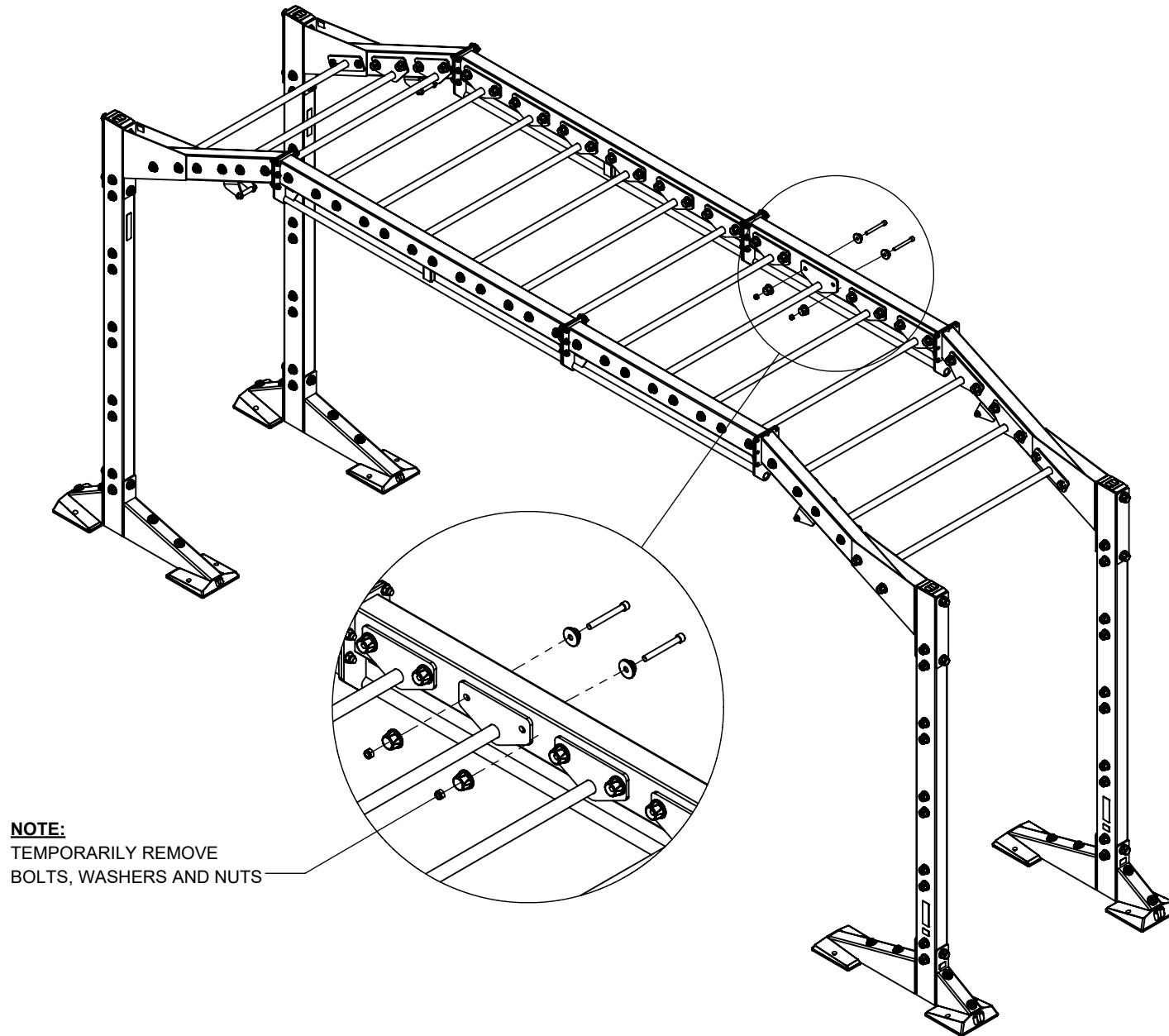
SECURELY tighten all bolt connections in this step, including the bolts from the previous step.

(**) **HARDWARE COVERS CANNOT** be used in place of washers in this step.

XCREATE has been hidden for assembly clarity.

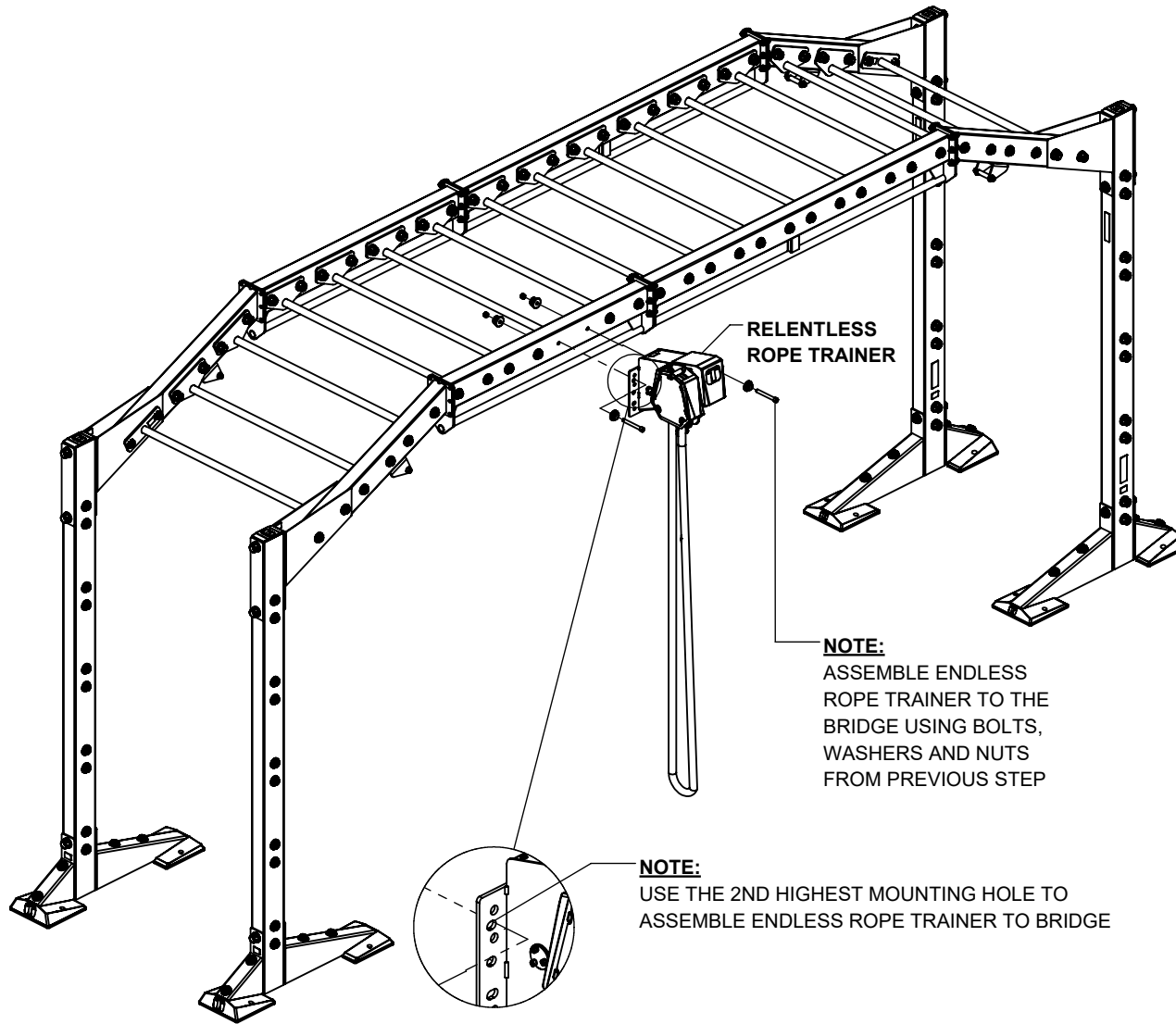


**XERT/XRR-SKI
RELENTLESS ROPE TRAINER / RELENTLESS RIPPER
(BRIDGE MOUNT)**



NOTE:
TEMPORARILY REMOVE
BOLTS, WASHERS AND NUTS

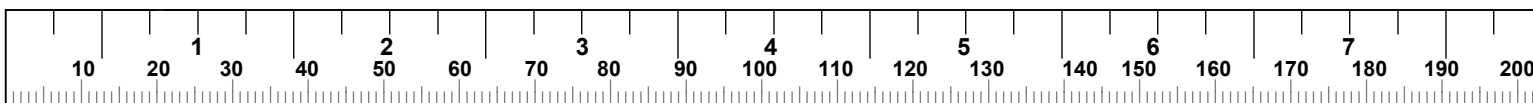
**XERT
RELENTLESS ROPE TRAINER (BRIDGE MOUNT)**



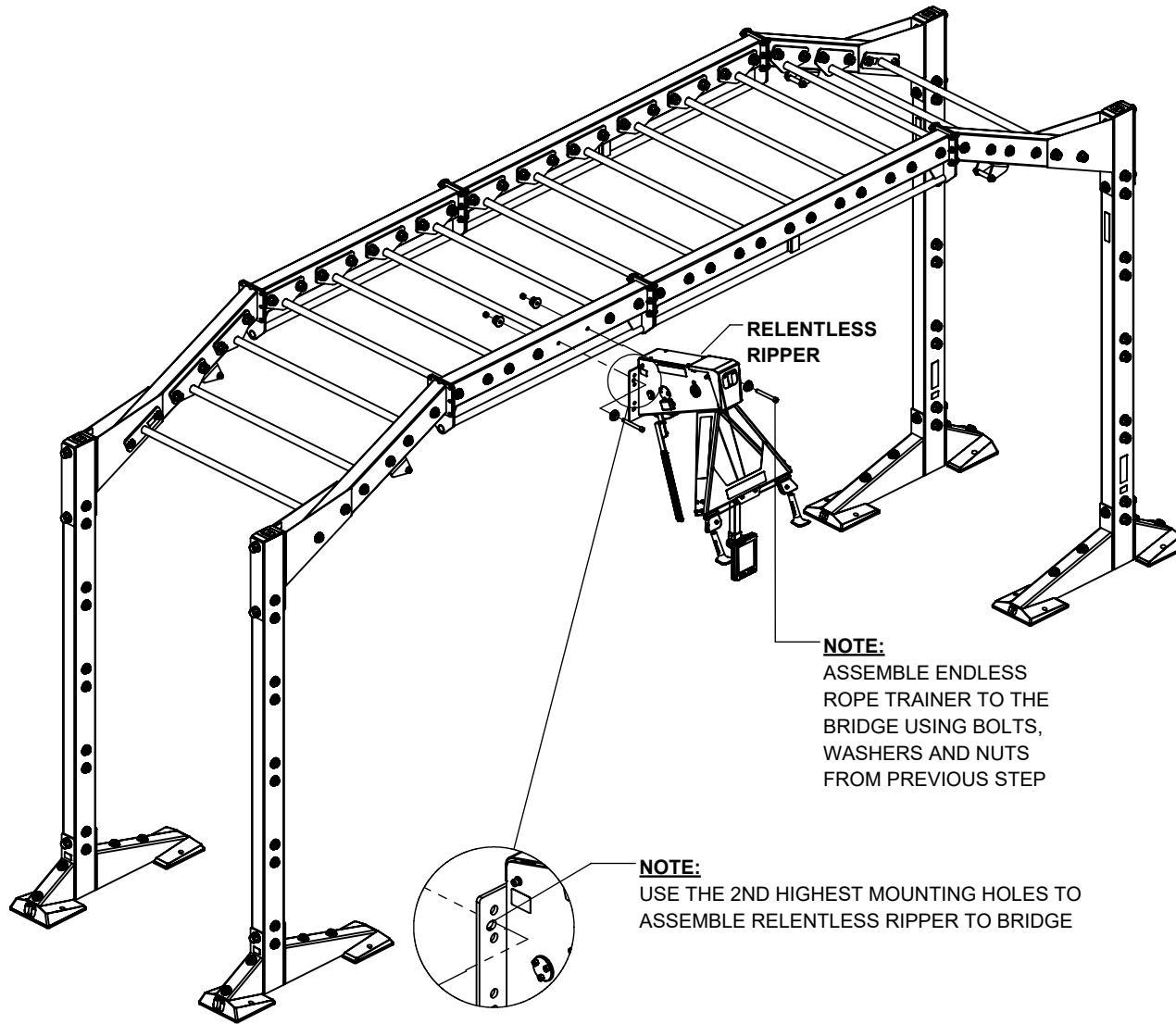
NOTES:

SECURELY assemble bolt connections in this step.

See next step for assembly of the **RELENTLESS RIPPER**.

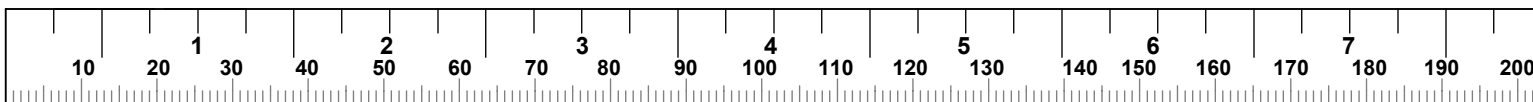


**XRR-SKI
RELENTLESS RIPPER (BRIDGE MOUNT)**

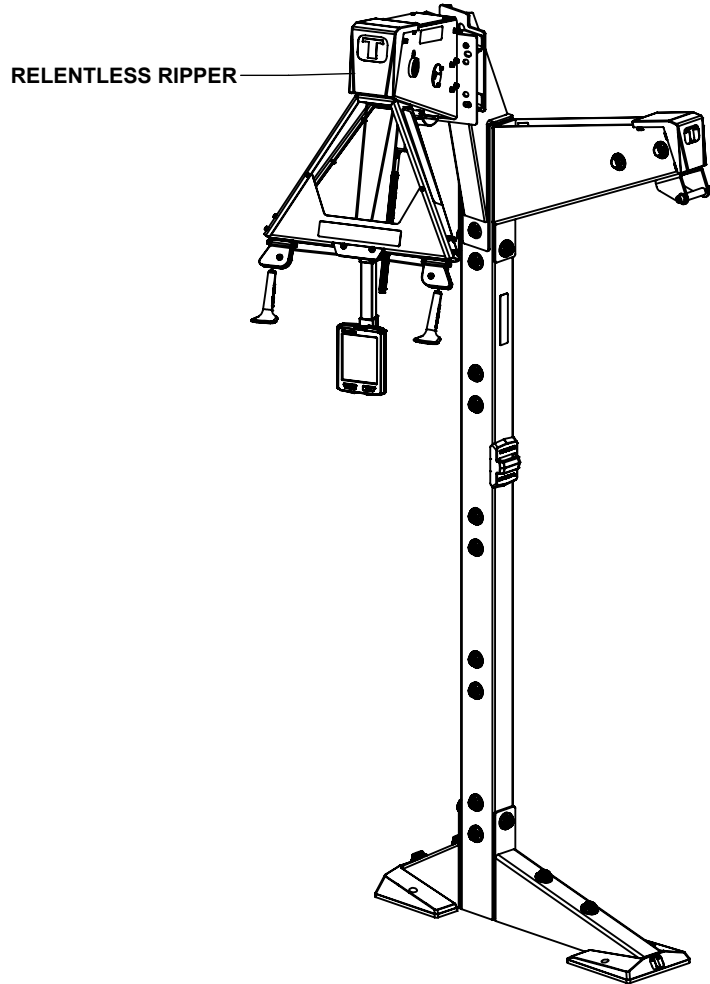


NOTES:

SECURELY assemble bolt connections in this step.

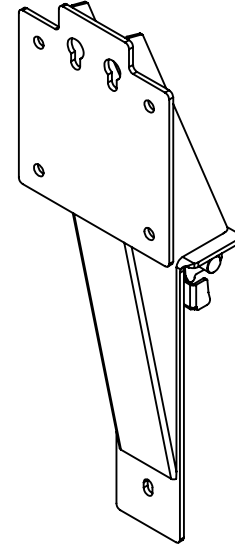


XCREATE-SAM XCREATE SIDE ATTACHMENT MOUNT

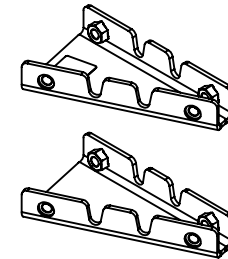


RELENTLESS RIPPER

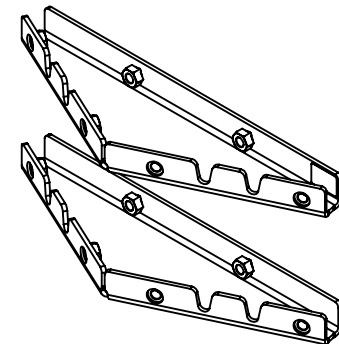
XCREATE-SAM
SIDE ATTACHMENT MOUNT



XCREATE-SUW
SINGLE UNIT WEDGE



XCREATE-DUW
DOUBLE UNIT WEDGE



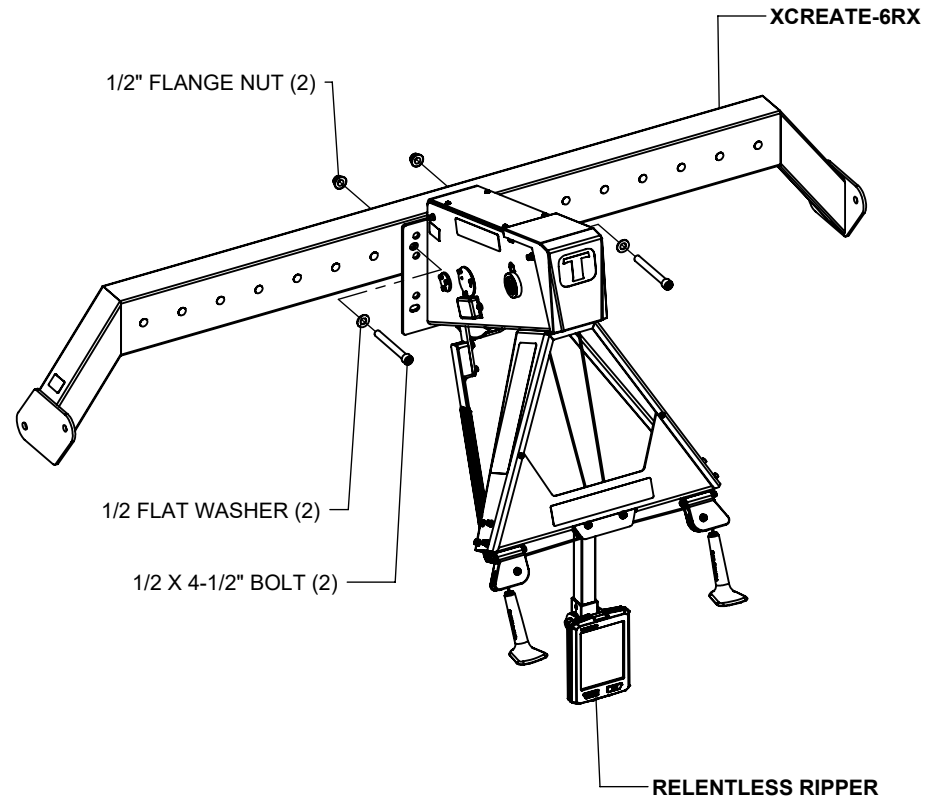
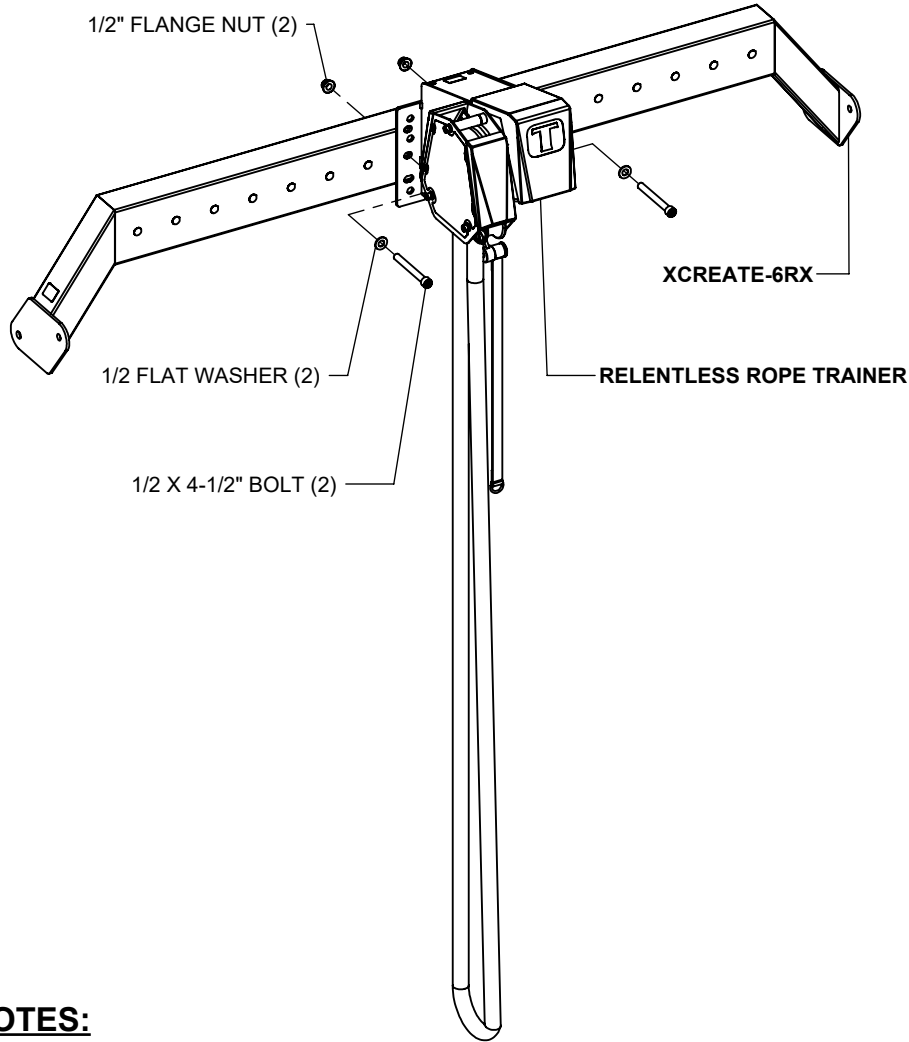
NOTE:

The **Relentless Ripper** is shown, **Relentless Rope** may be assembled the same way.

Assembly instructions for the attachments above are included with the **XCREATE-SAM**.

The instructions can also be downloaded at <https://commercial.torquefitness.com/pages/assembly-manuals>

**XCREATE-6RX
RELENTLESS ROPE TRAINER / RELENTLESS RIPPER**

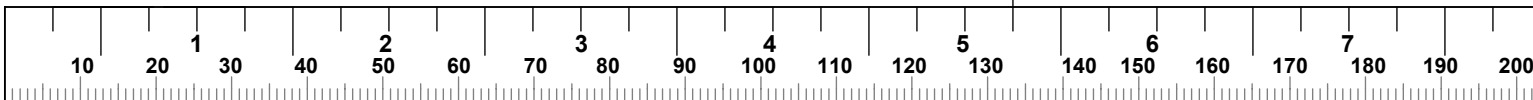


NOTES:

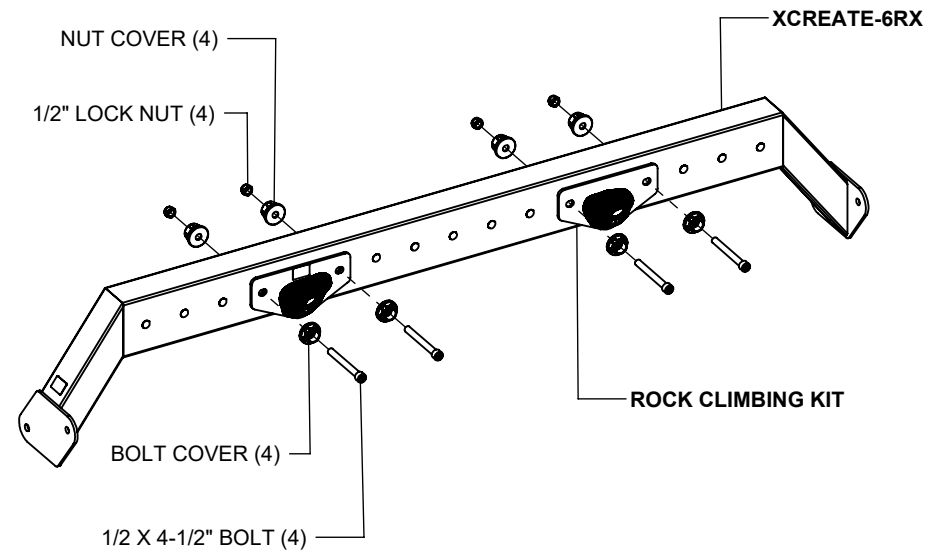
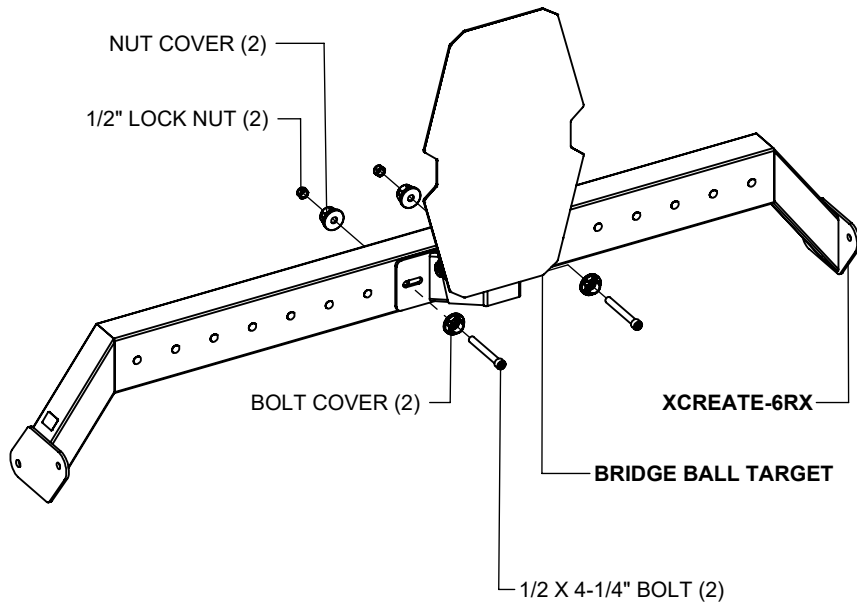
SECURELY tighten all bolt connections in this step.

(**) **HARDWARE COVERS CANNOT** be used in place of washers in this step.

XCREATE uprights have been hidden for assembly clarity



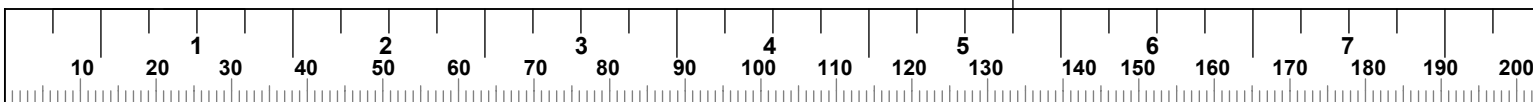
**XCREATE-6RX
BRIDGE BALL TARGET / ROCK CLIMBING KIT**



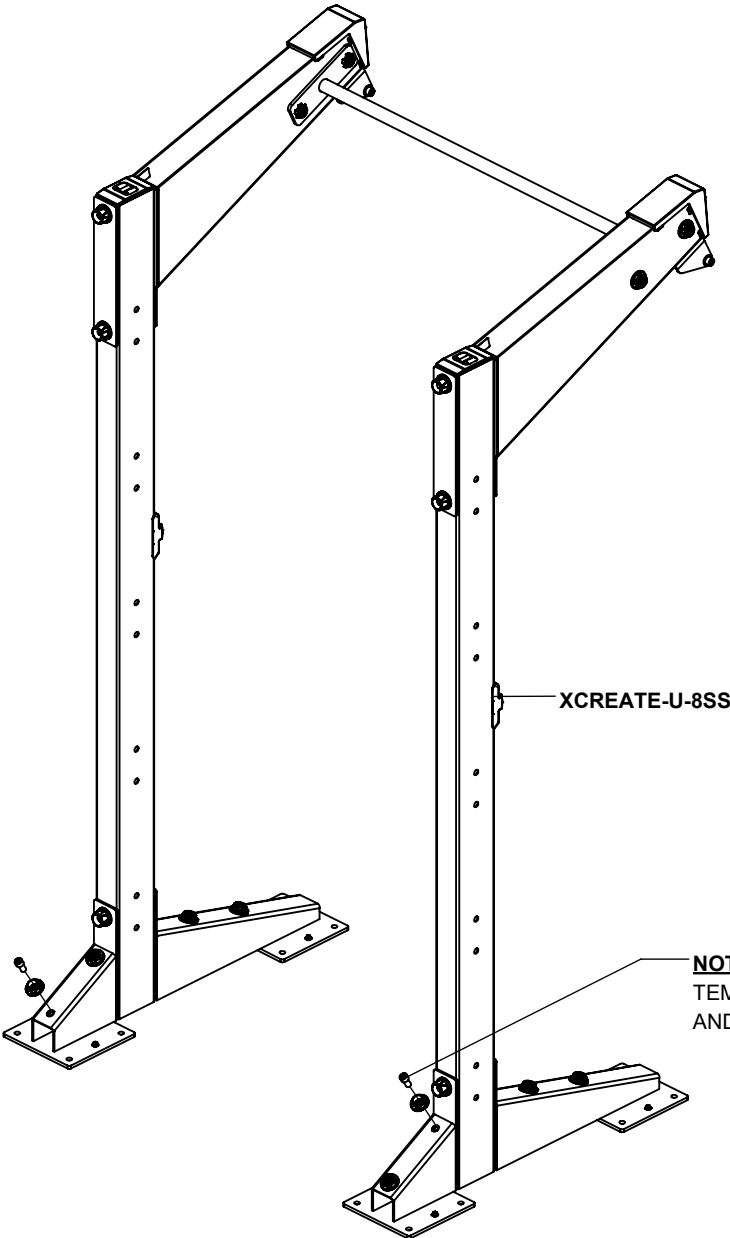
NOTES:

SECURELY tighten all bolt connections in this step.

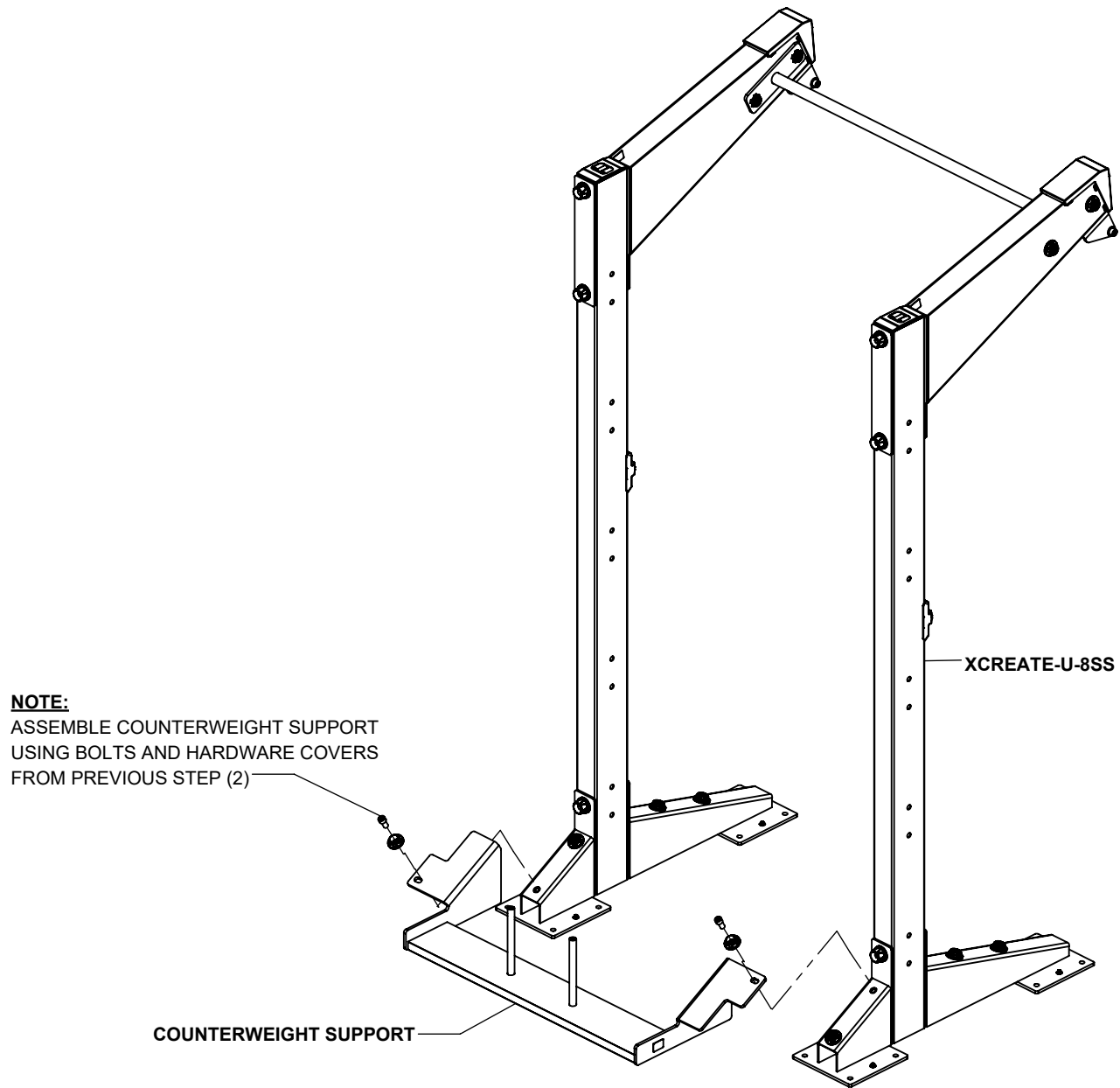
XCREATE uprights have been hidden for assembly clarity



**XCREATE-4CWS
4' COUNTERWEIGHT SUPPORT**



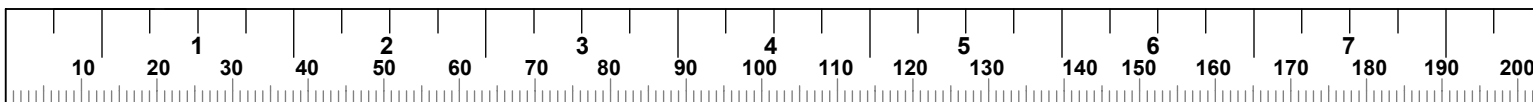
XCREATE-4CWS **4' COUNTERWEIGHT SUPPORT**



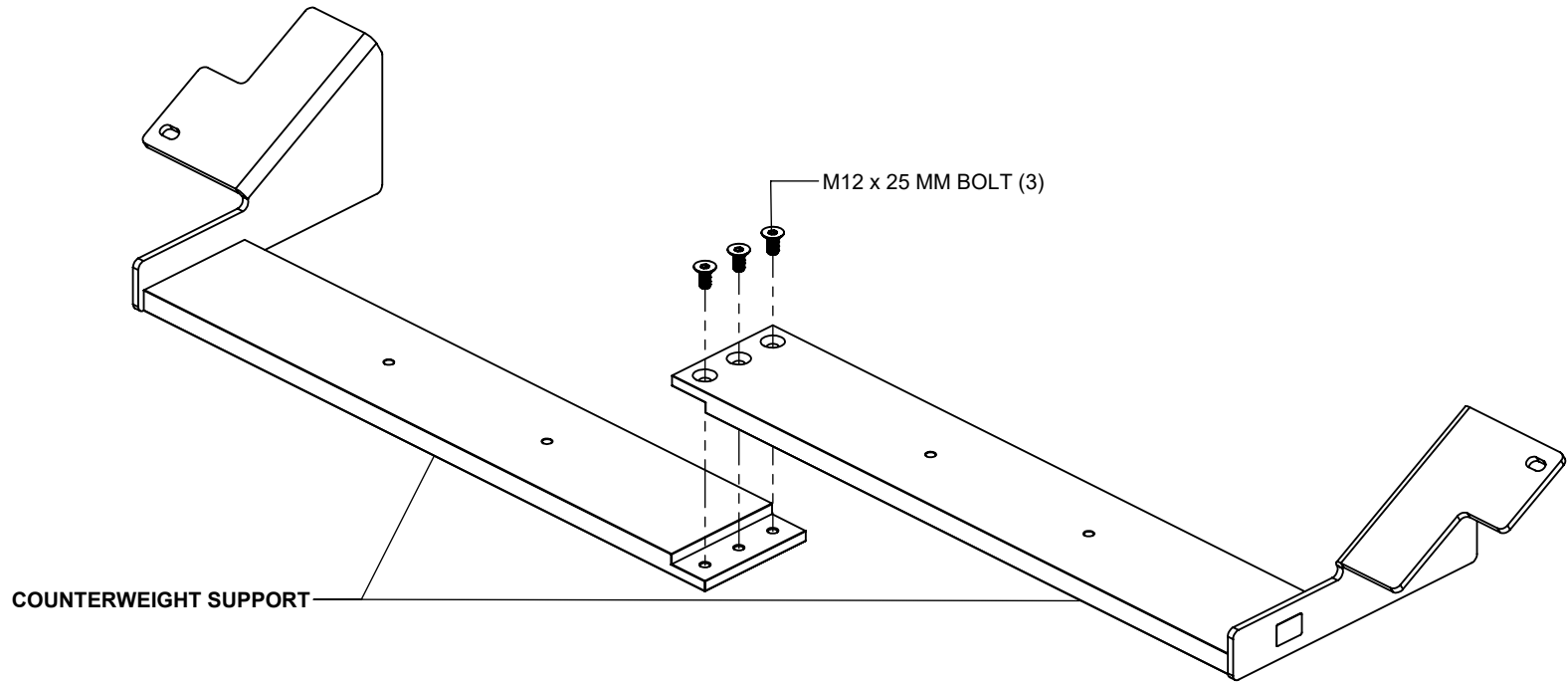
NOTES:

SECURELY assemble bolt connections in this step.

The **XCREATE-U-7SS** is assembled the exact same way.

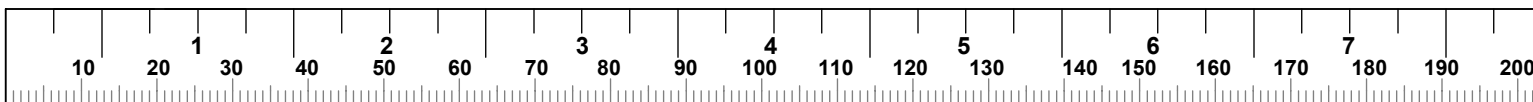


XCREATE-6CWS
6' COUNTERWEIGHT SUPPORT

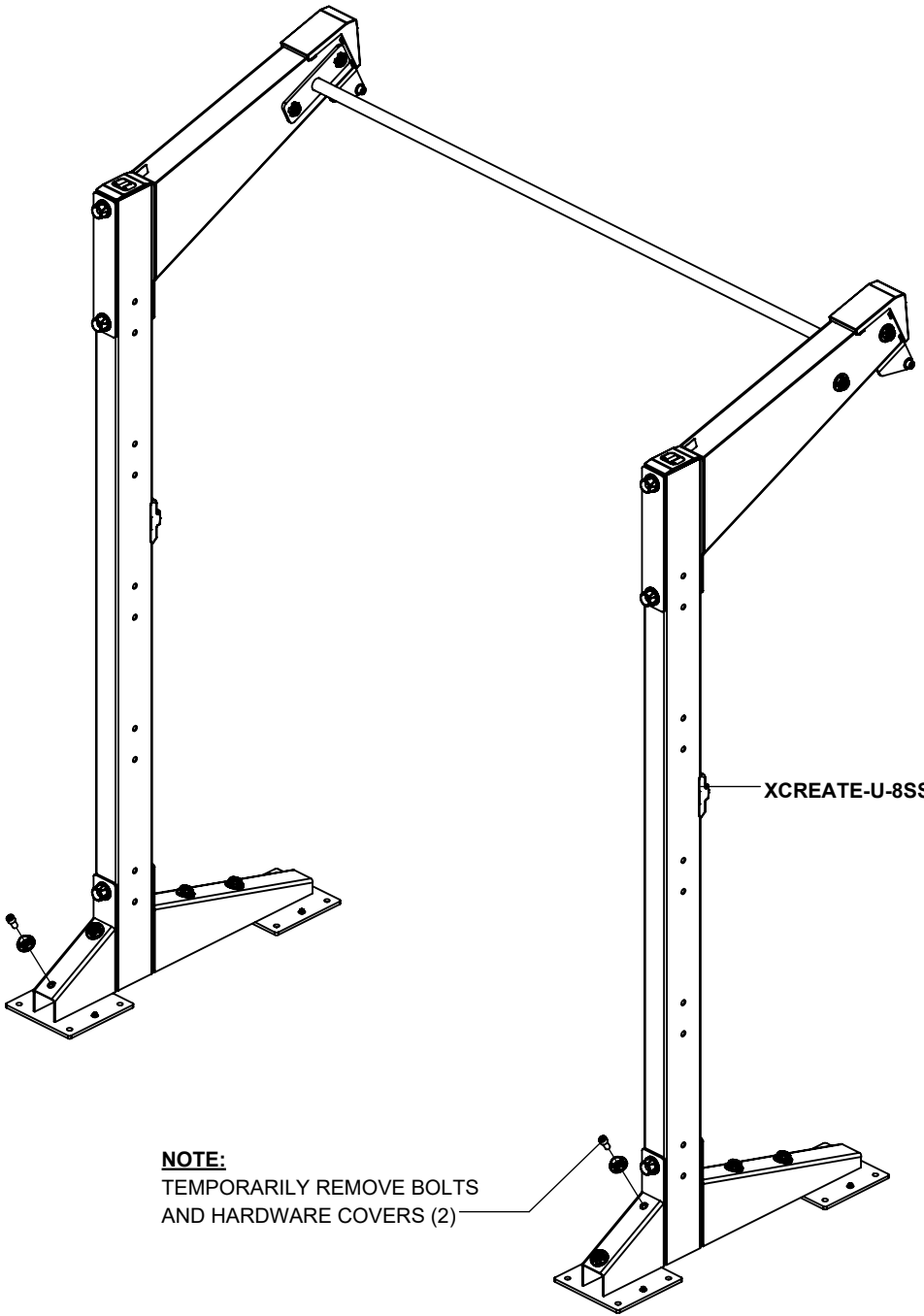


NOTES:

SECURELY assemble bolt connections in this step.



**XCREATE-6CWS
6' COUNTERWEIGHT SUPPORT**



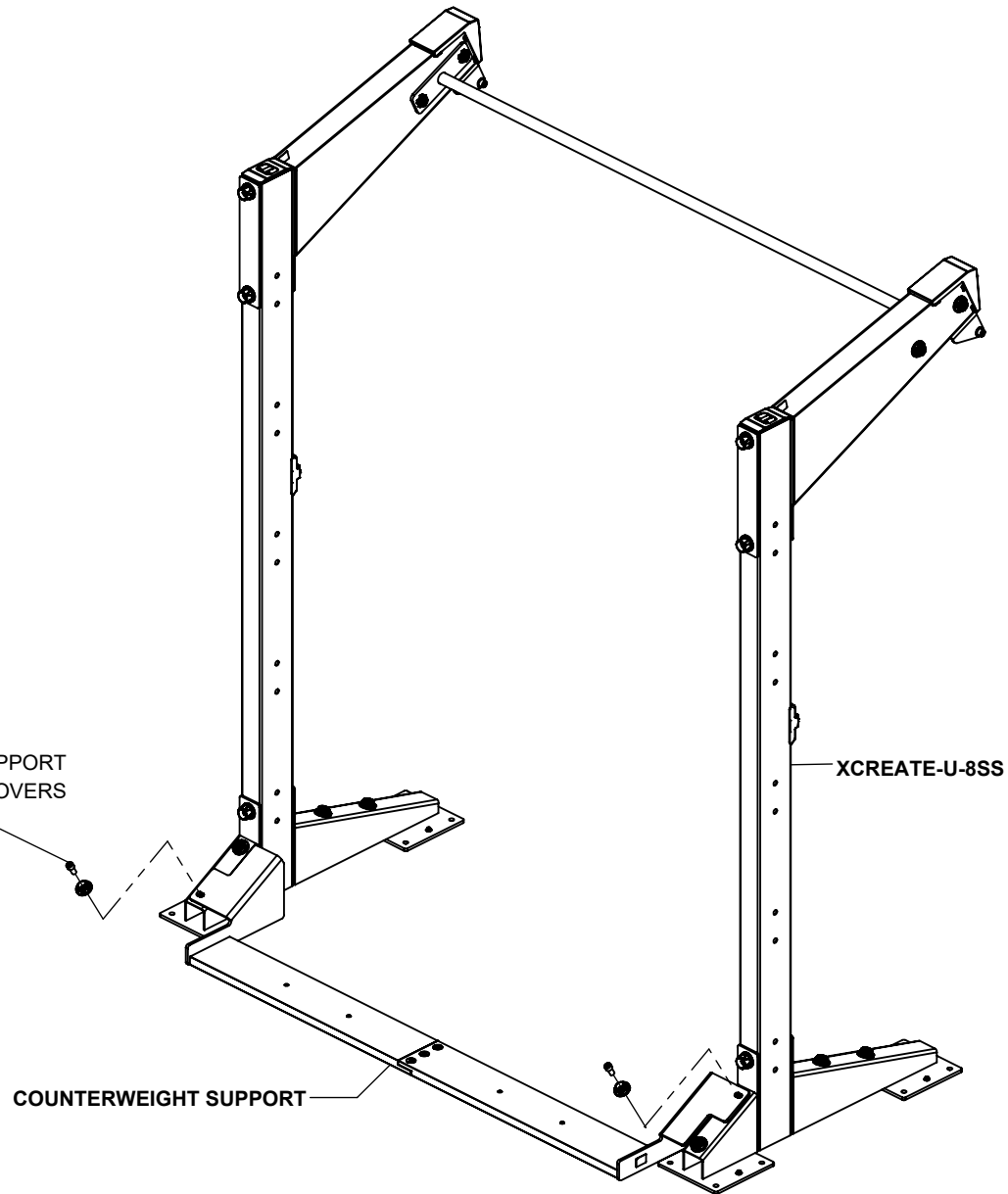
XCREATE-U-8SS

NOTE:
TEMPORARILY REMOVE BOLTS
AND HARDWARE COVERS (2)

XCREATE-6CWS
6' COUNTERWEIGHT SUPPORT

NOTE:

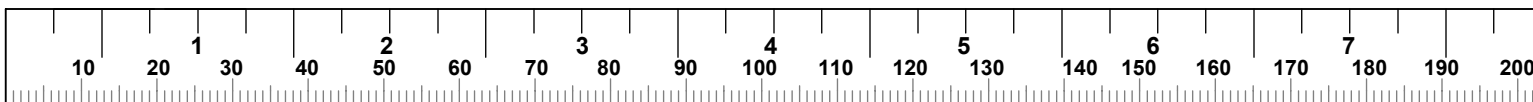
ASSEMBLE COUNTERWEIGHT SUPPORT
USING BOLTS AND HARDWARE COVERS
FROM PREVIOUS STEP (2)



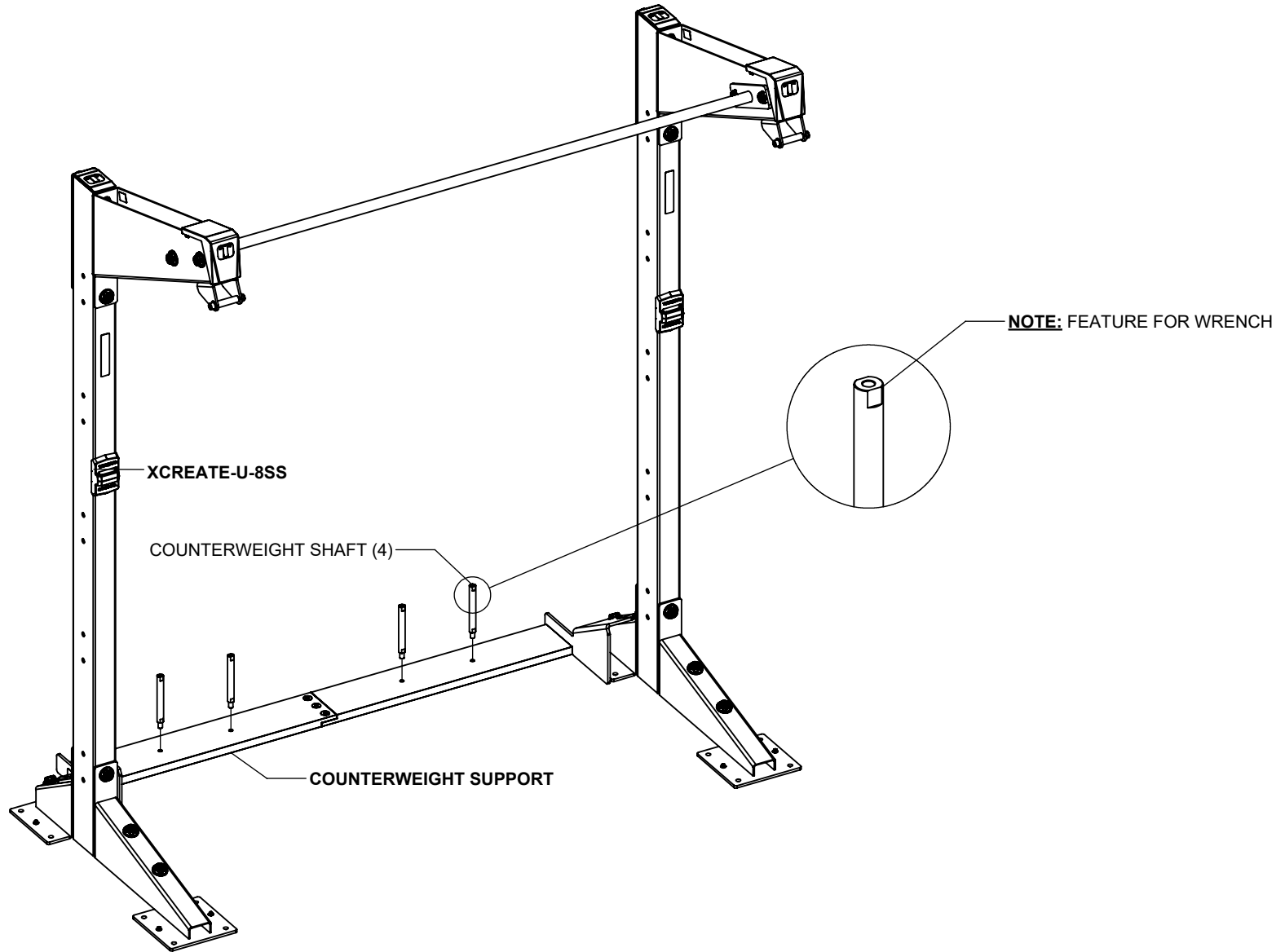
NOTES:

SECURELY assemble bolt connections in this step.

The **XCREATE-U-7SS** is assembled the exact same way.



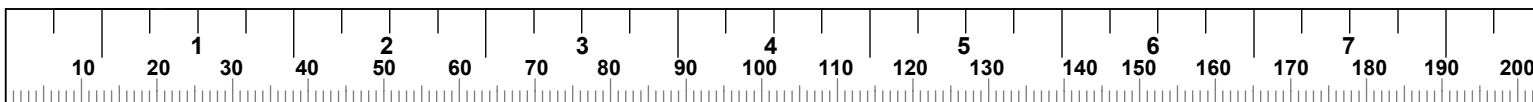
XCREATE-6CWS
6' COUNTERWEIGHT SUPPORT



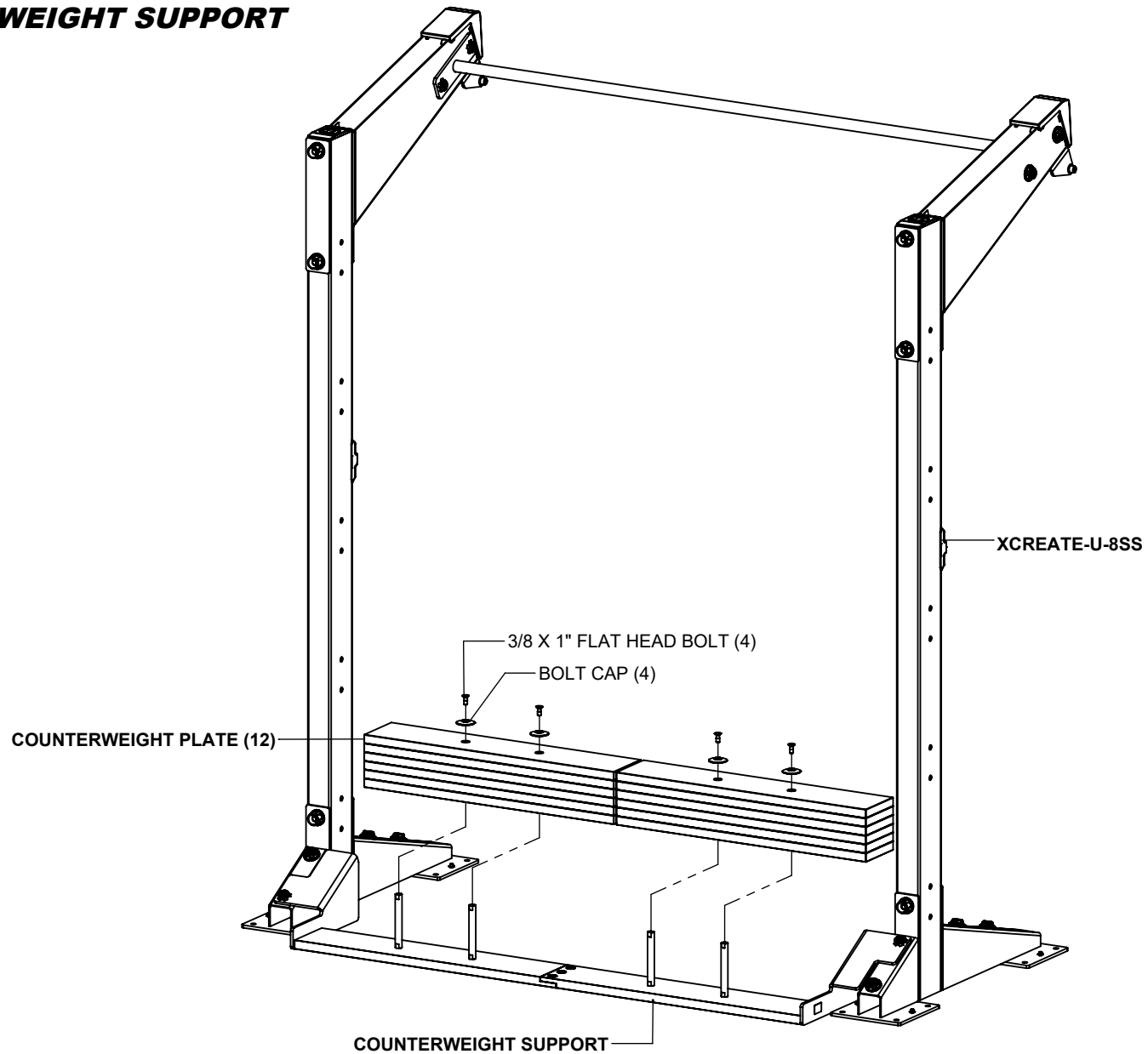
NOTES:

SECURELY assemble bolt connections in this step.

The **XCREATE-U-7SS** is assembled the exact same way.



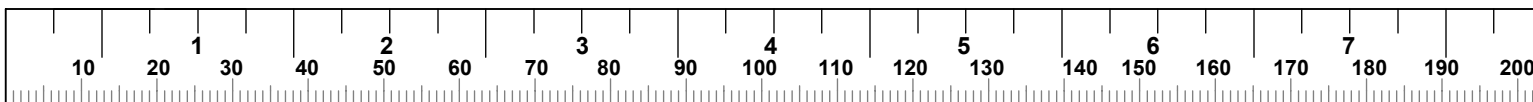
XCREATE-6CWS
6' COUNTERWEIGHT SUPPORT



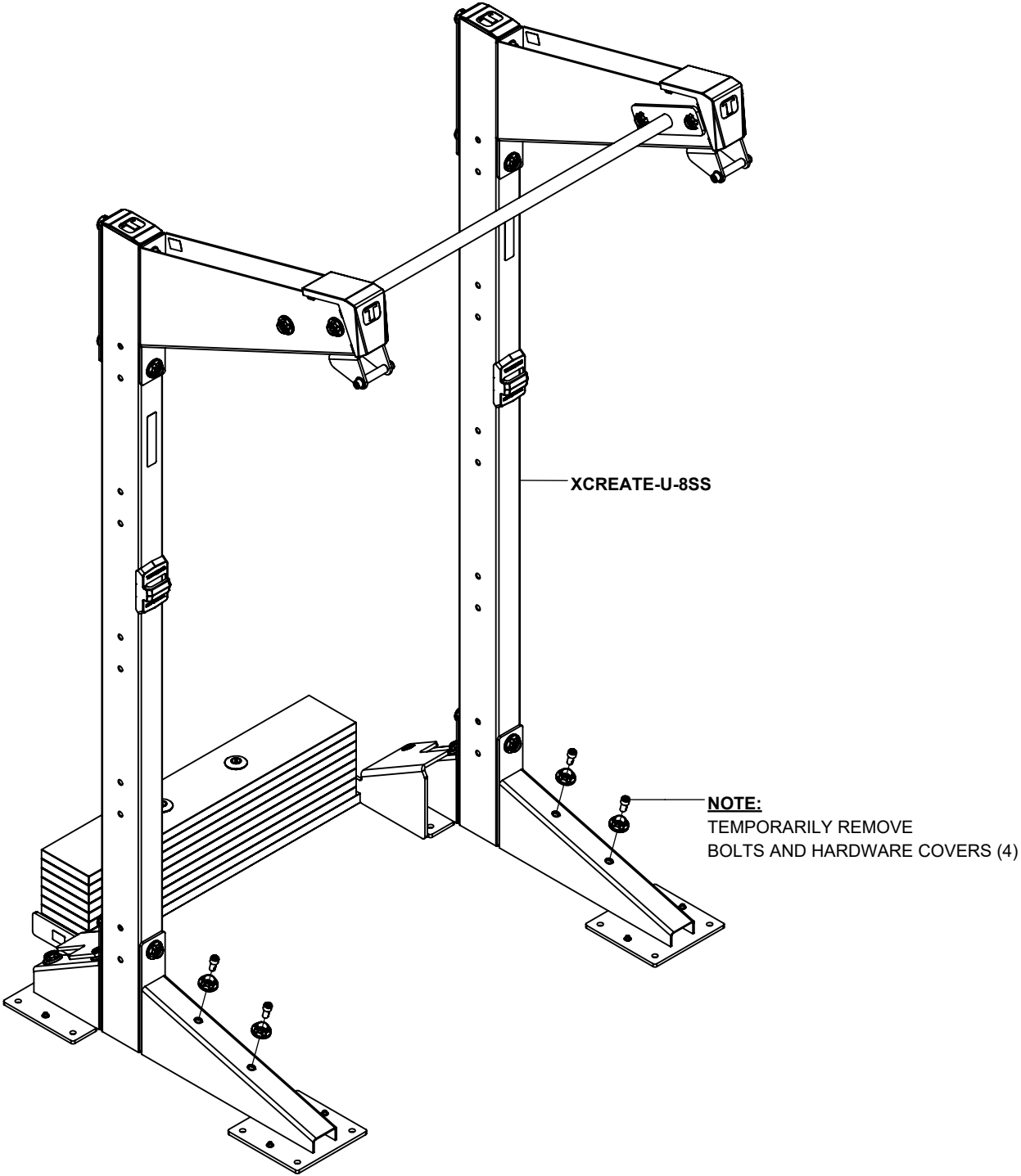
NOTES:

SECURELY assemble bolt connections in this step.

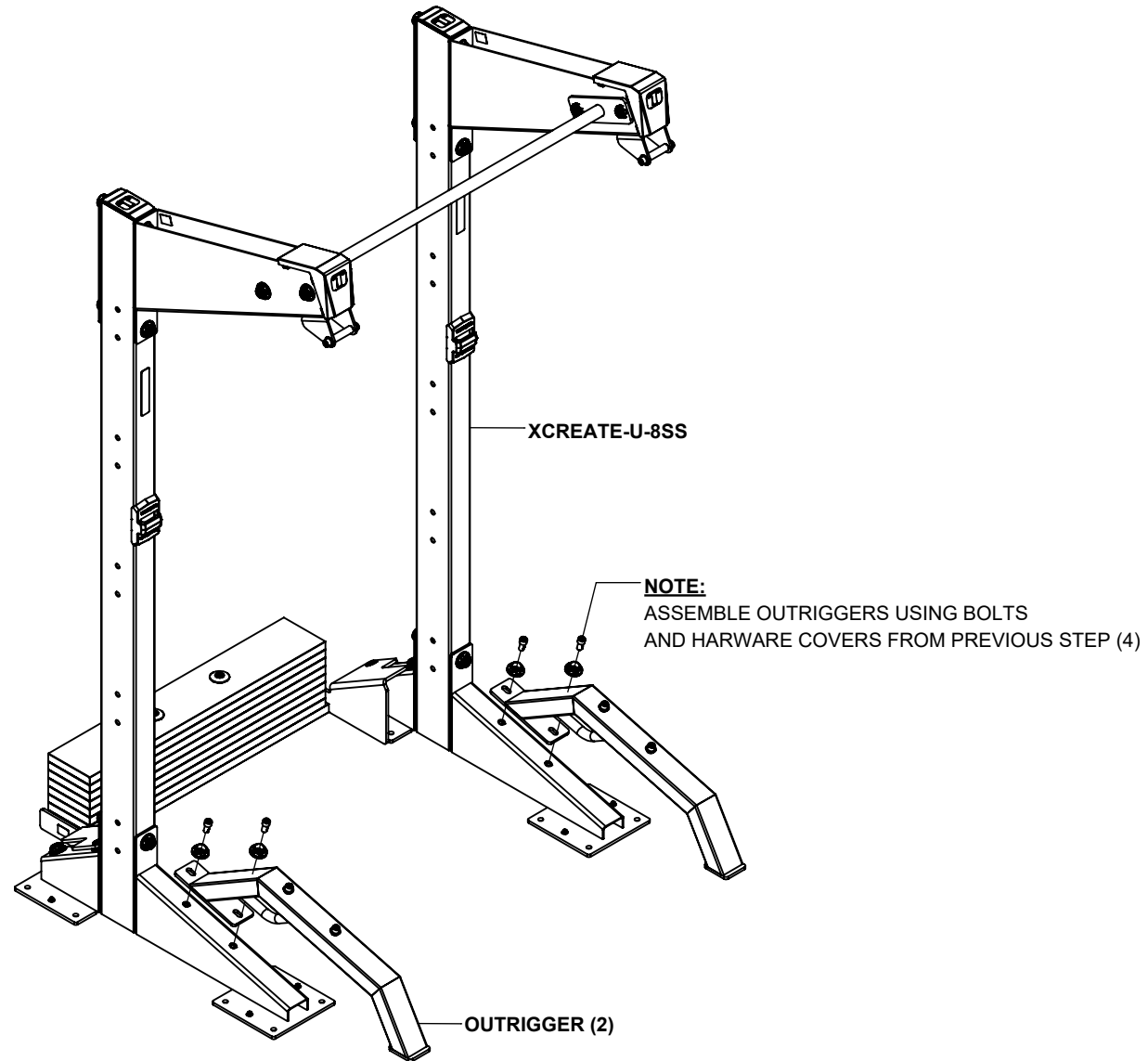
The **XCREATE-U-7SS** is assembled the exact same way.



**XCREATE-OR
OUTRIGGER**



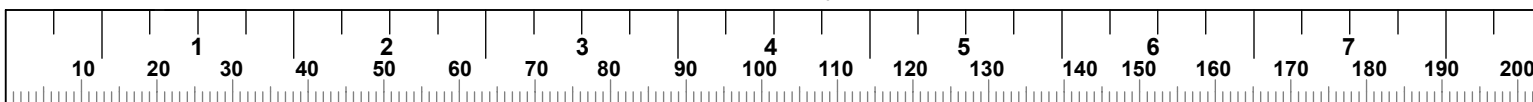
XCREATE-OR OUTRIGGER



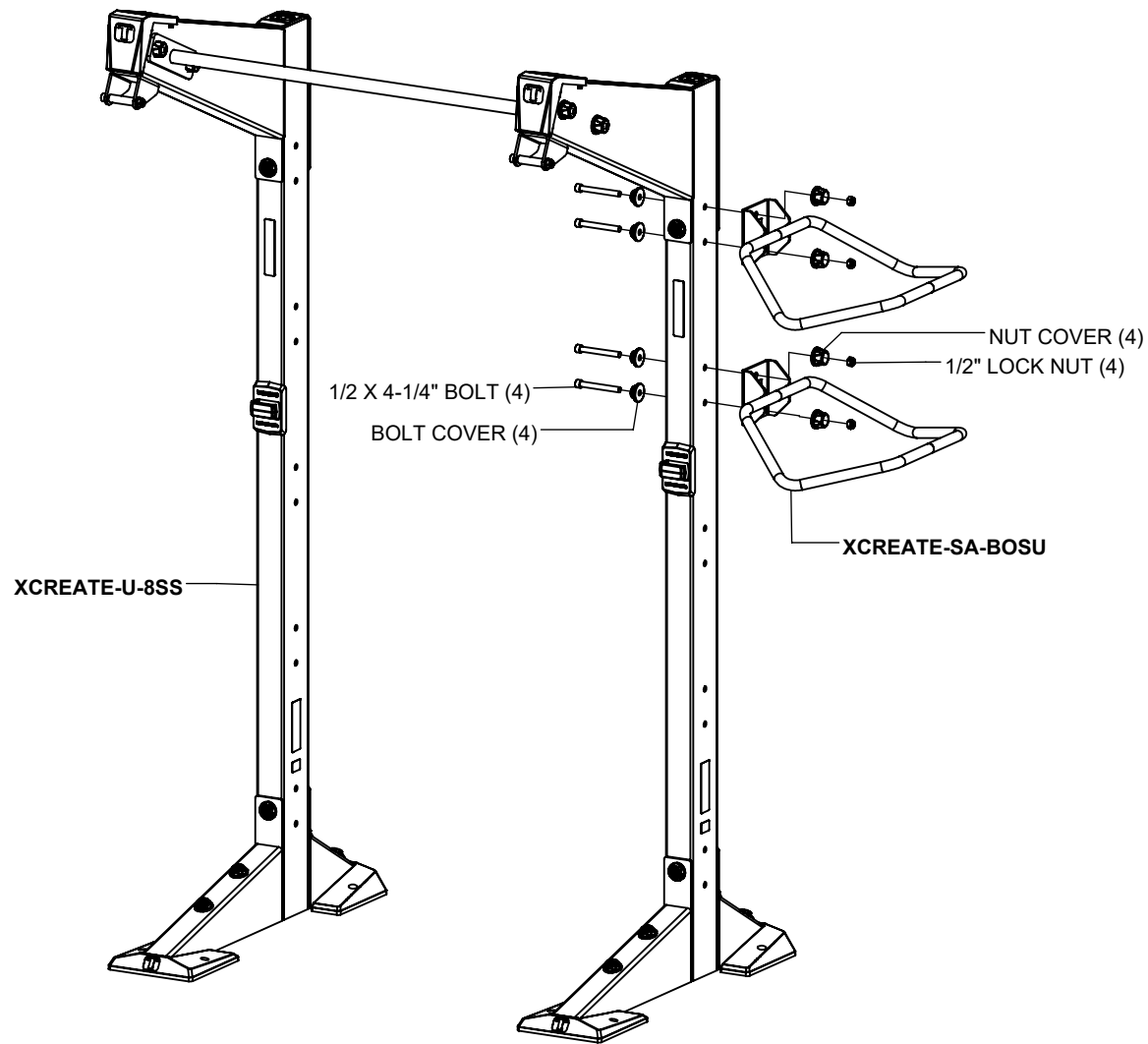
NOTES:

SECURELY assemble bolt connections in this step.

The **XCREATE-U-7SS** is assembled the exact same way.



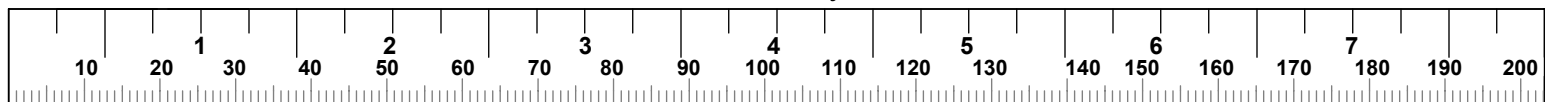
XCREATE-SA-BOSU BOSU STORAGE ATTACHMENT



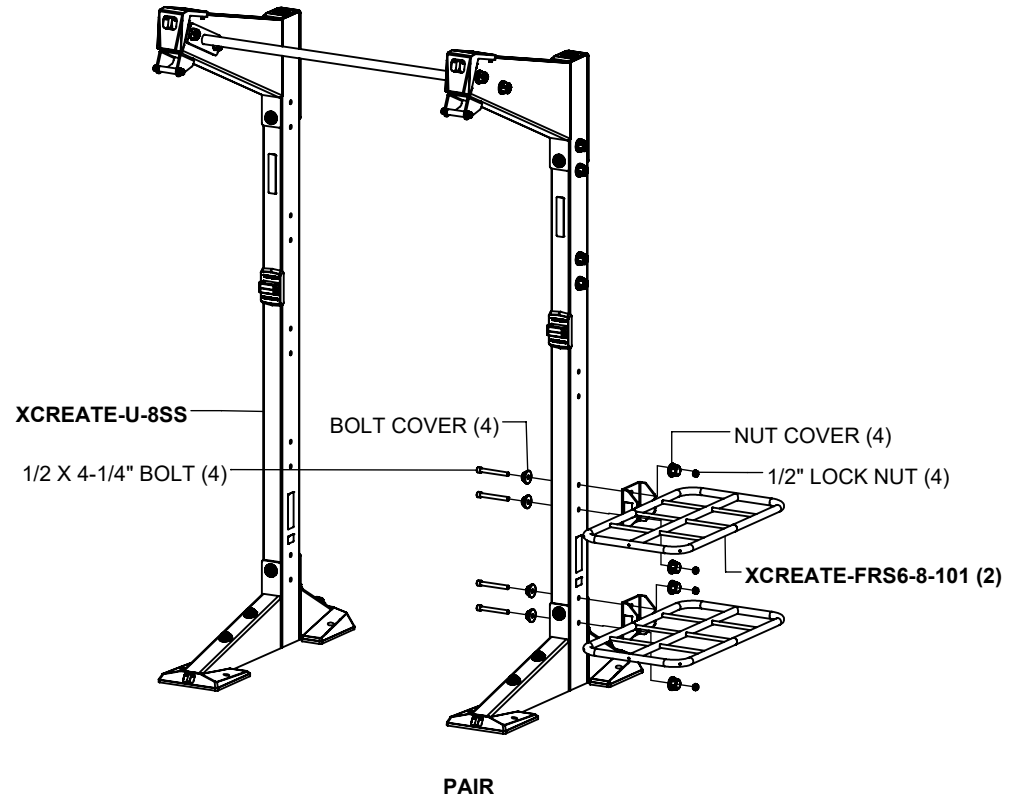
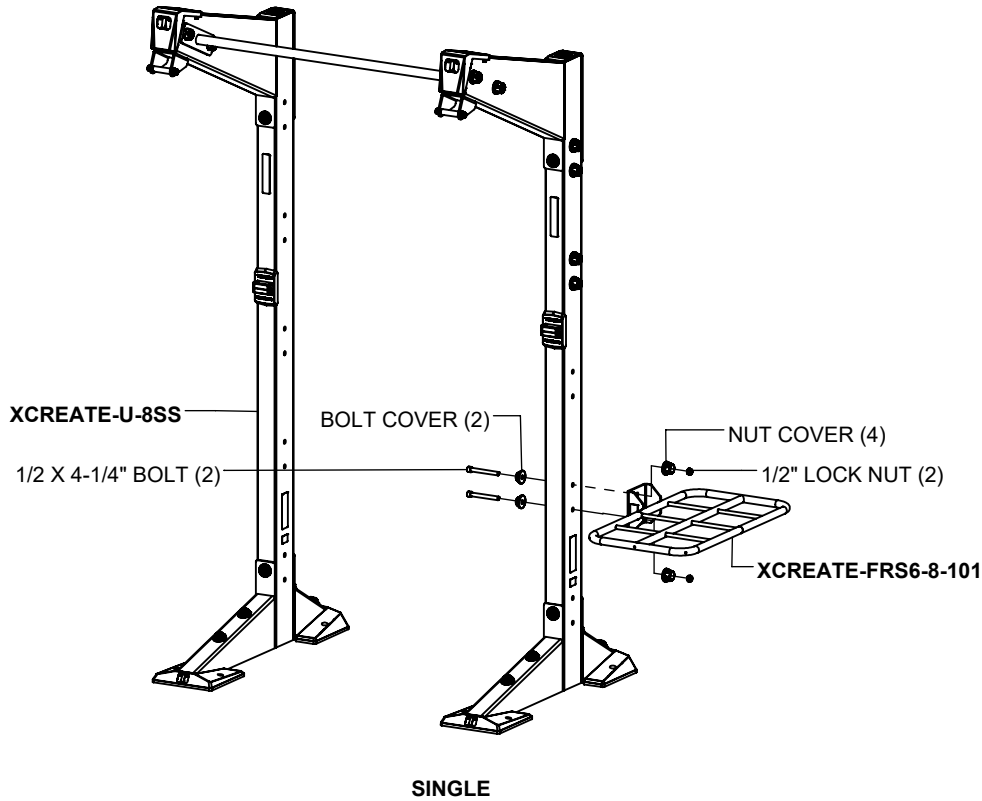
NOTES:

SECURELY tighten all bolt connections in this step.

The **XCREATE-U-7SS** is assembled the exact same way.



**XCREATE-FRS6-8
FOAM ROLLER STORAGE ATTACHMENT**

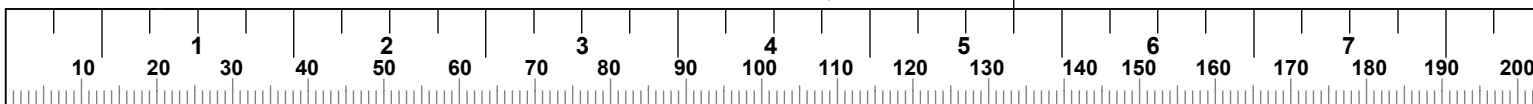


NOTES:

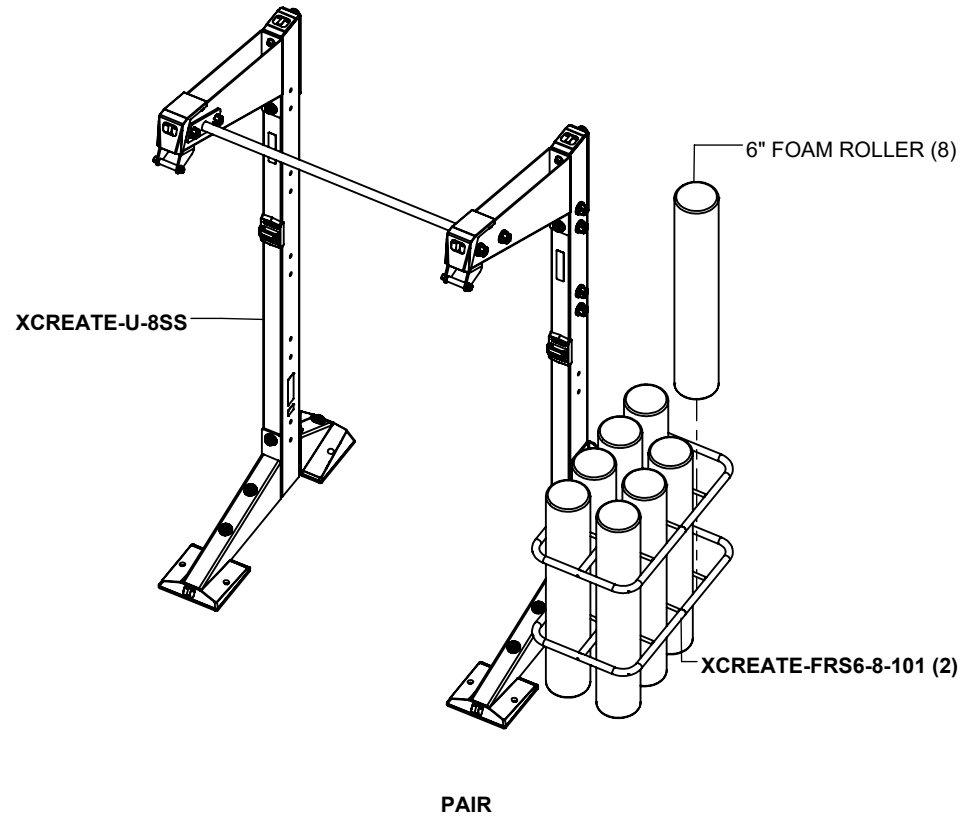
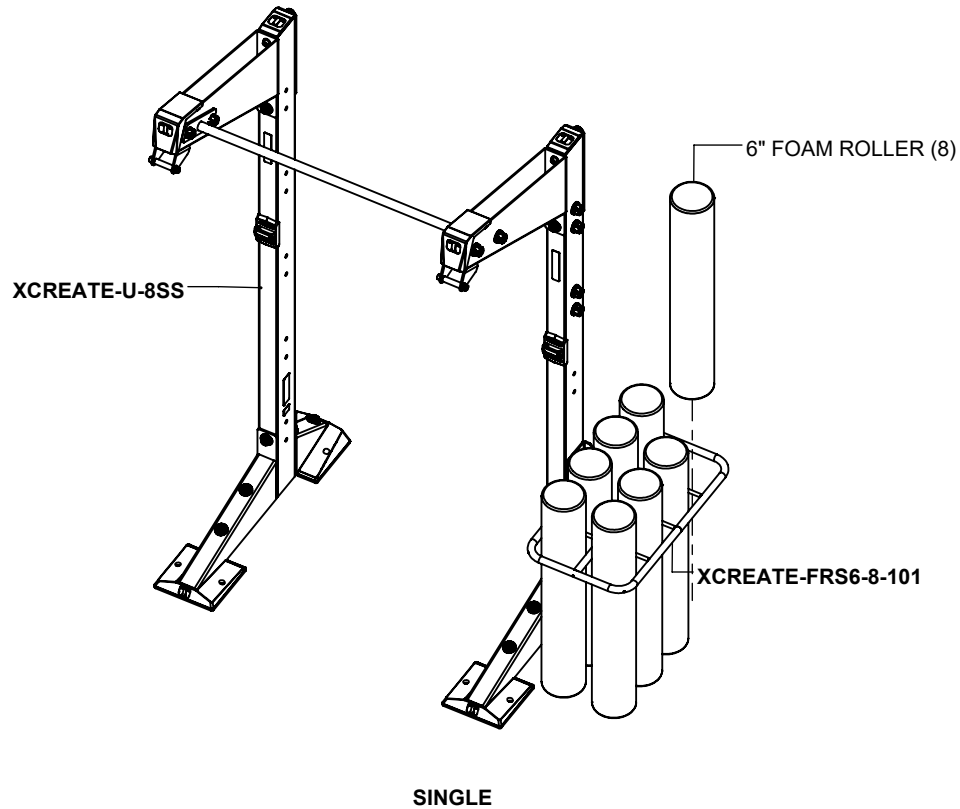
Assembly steps show a single and pair. For additional foam roller stability a pair is recommended.

LEVEL ATTACHMENT AND SECURELY tighten all bolt connections in this step.

The **XCREATE-U-7SS** is assembled the exact same way.



XCREATE-FRS6-8 FOAM ROLLER STORAGE ATTACHMENT

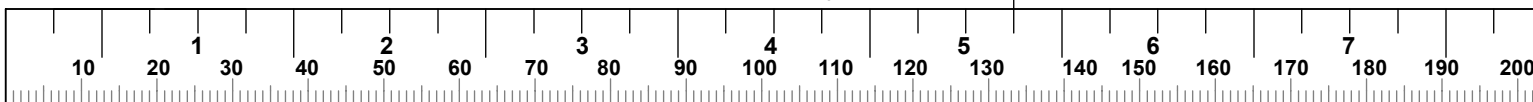


NOTES:

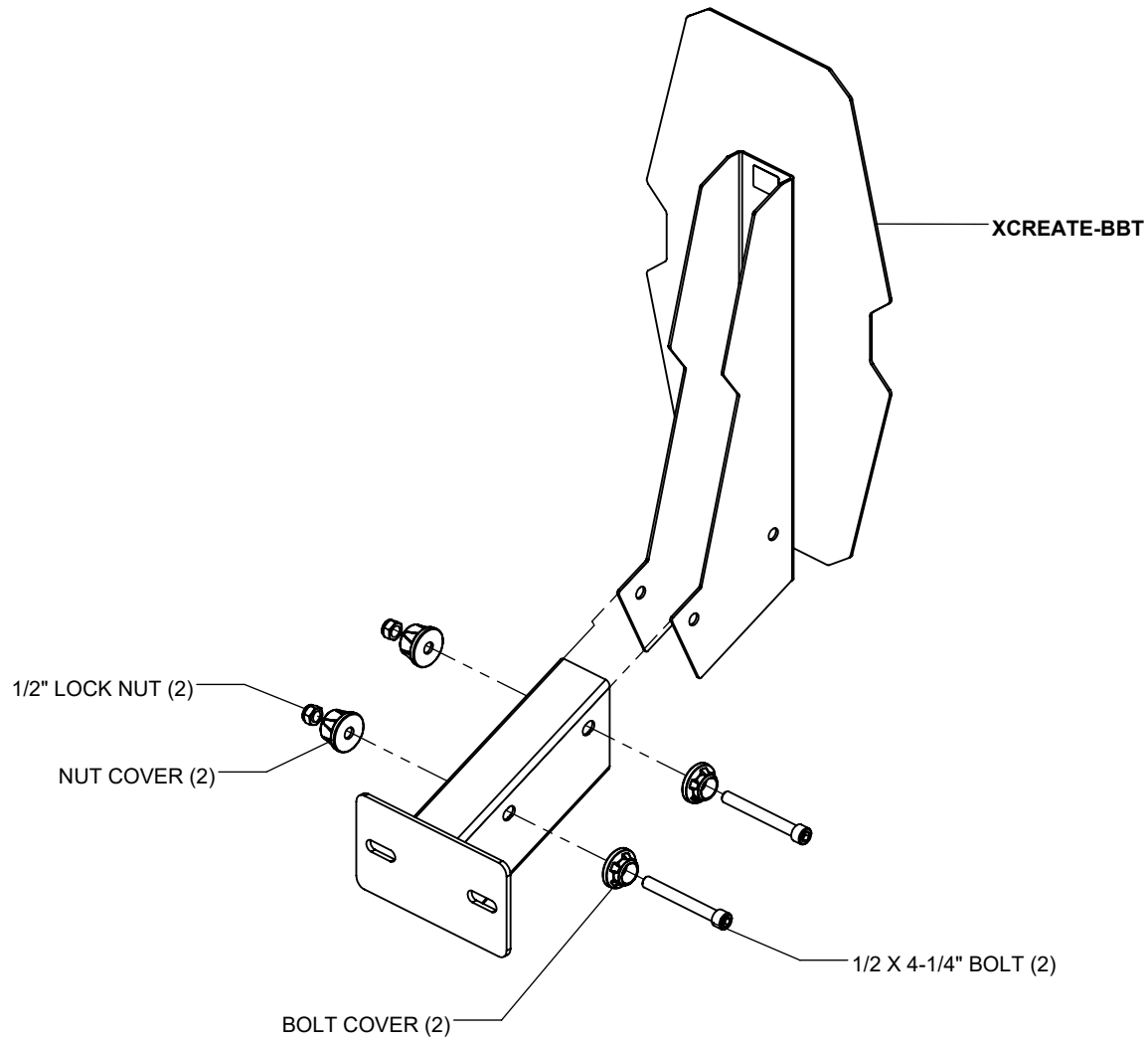
Assembly steps show a single and pair. For additional foam roller stability a pair is recommended.

LEVEL ATTACHMENT AND SECURELY tighten all bolt connections in this step.

The **XCREATE-U-7SS** is assembled the exact same way.

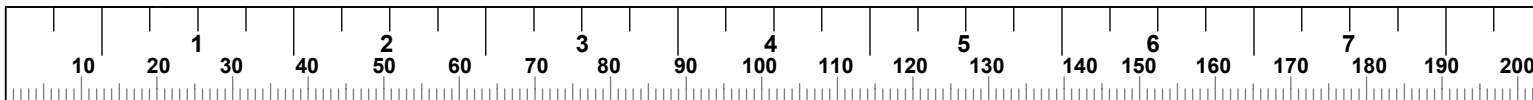


**XCREATE-BBT
BRIDGE BALL TARGET**

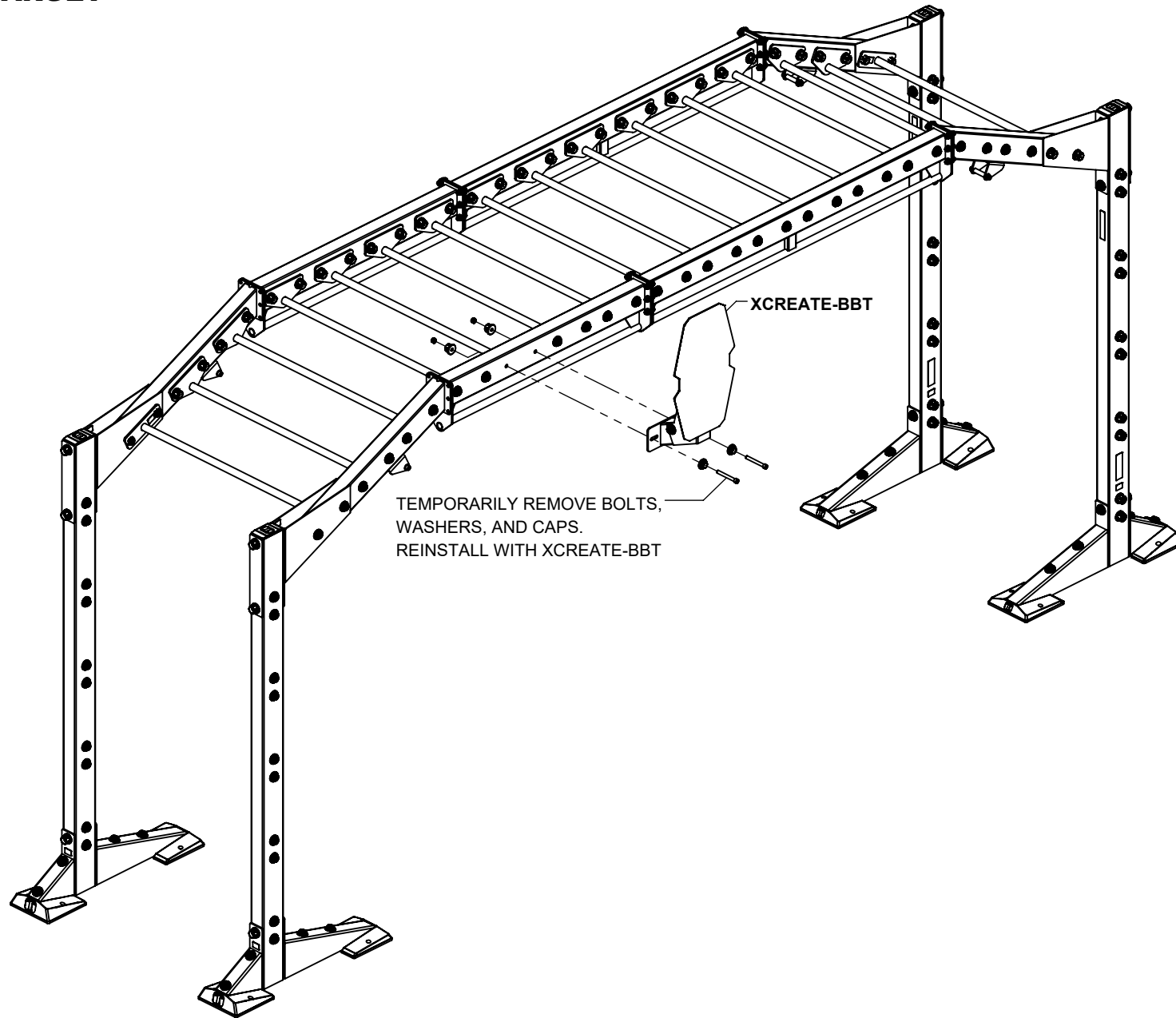


NOTES:

SECURELY assemble bolt connections in this step.

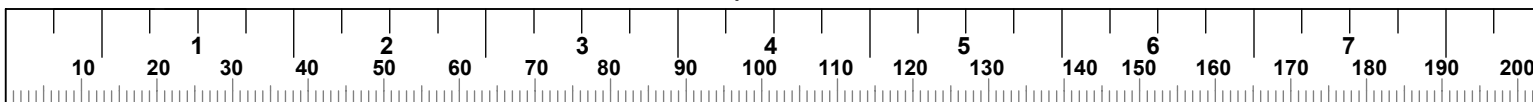


**XCREATE-BBT
BRIDGE BALL TARGET**

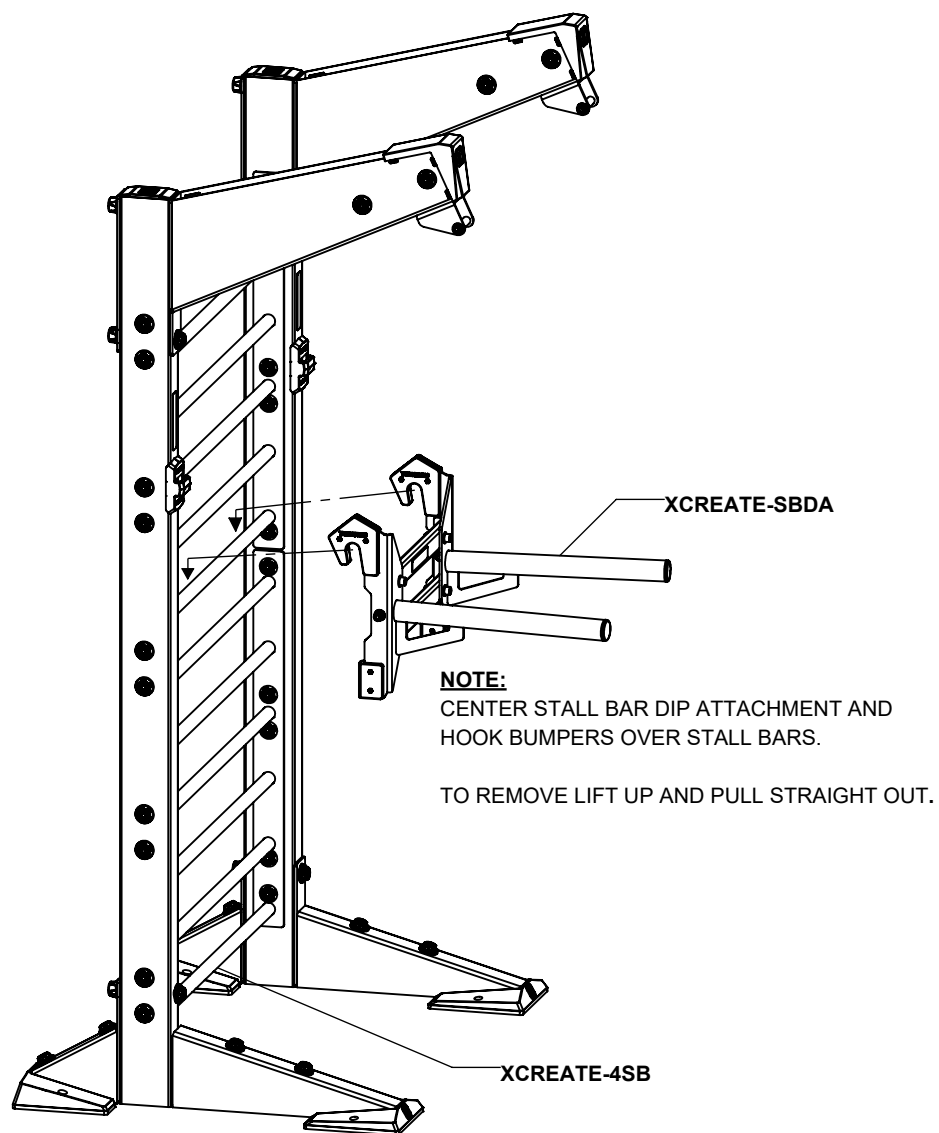


NOTES:

SECURELY assemble bolt connections in this step.



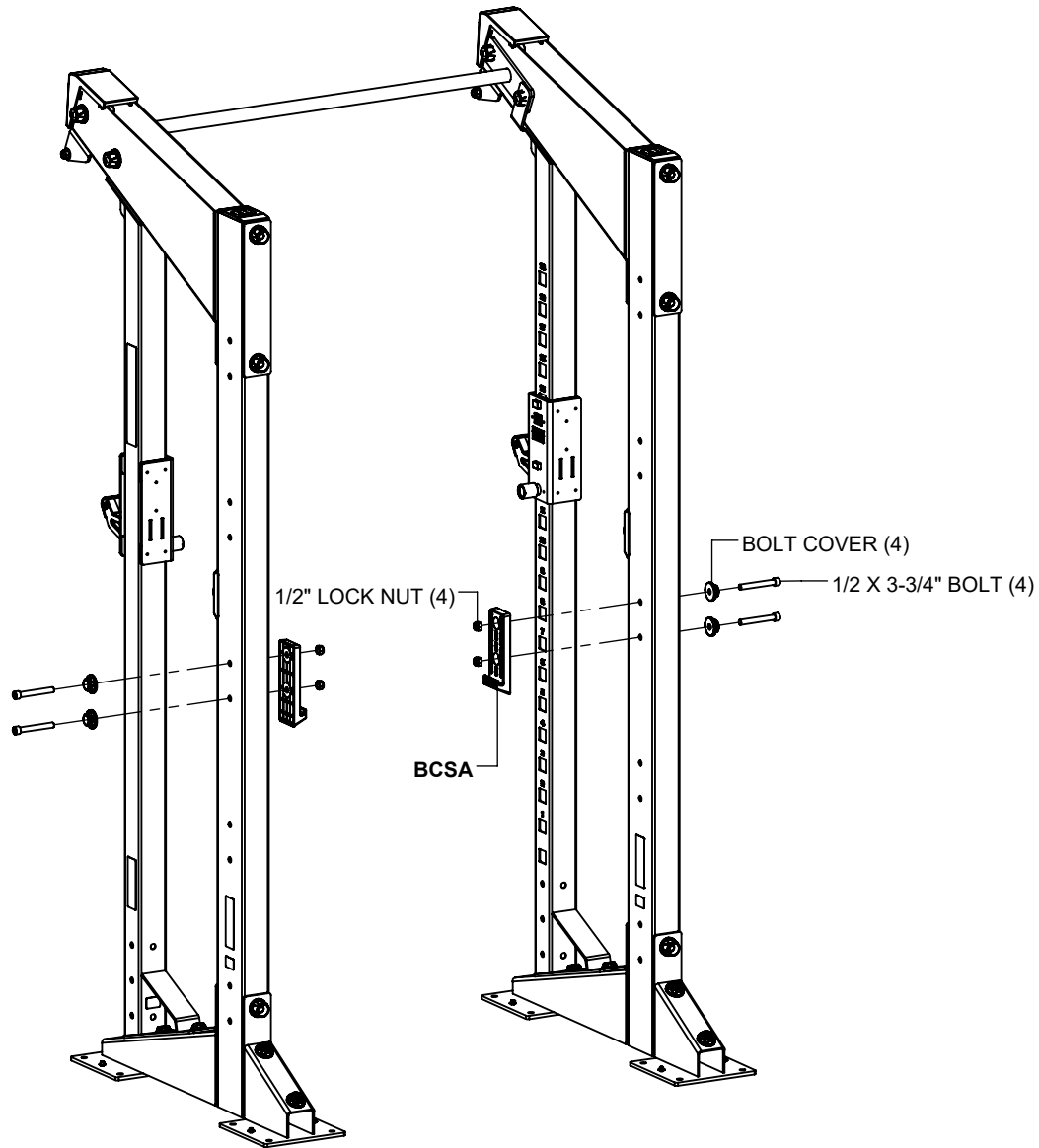
STALL BAR DIP ATTACHMENT



NOTES:

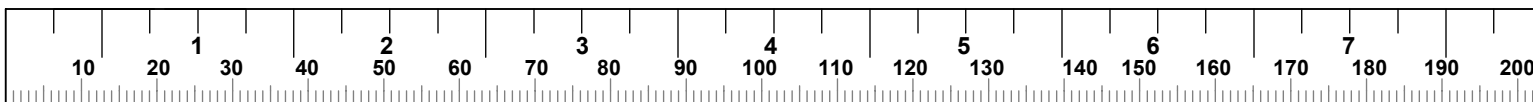
The XCREATE 4' stall bar module is required in this step. For module assembly see previous steps.

BCSA
BAR CATCH STORAGE ATTACHMENT

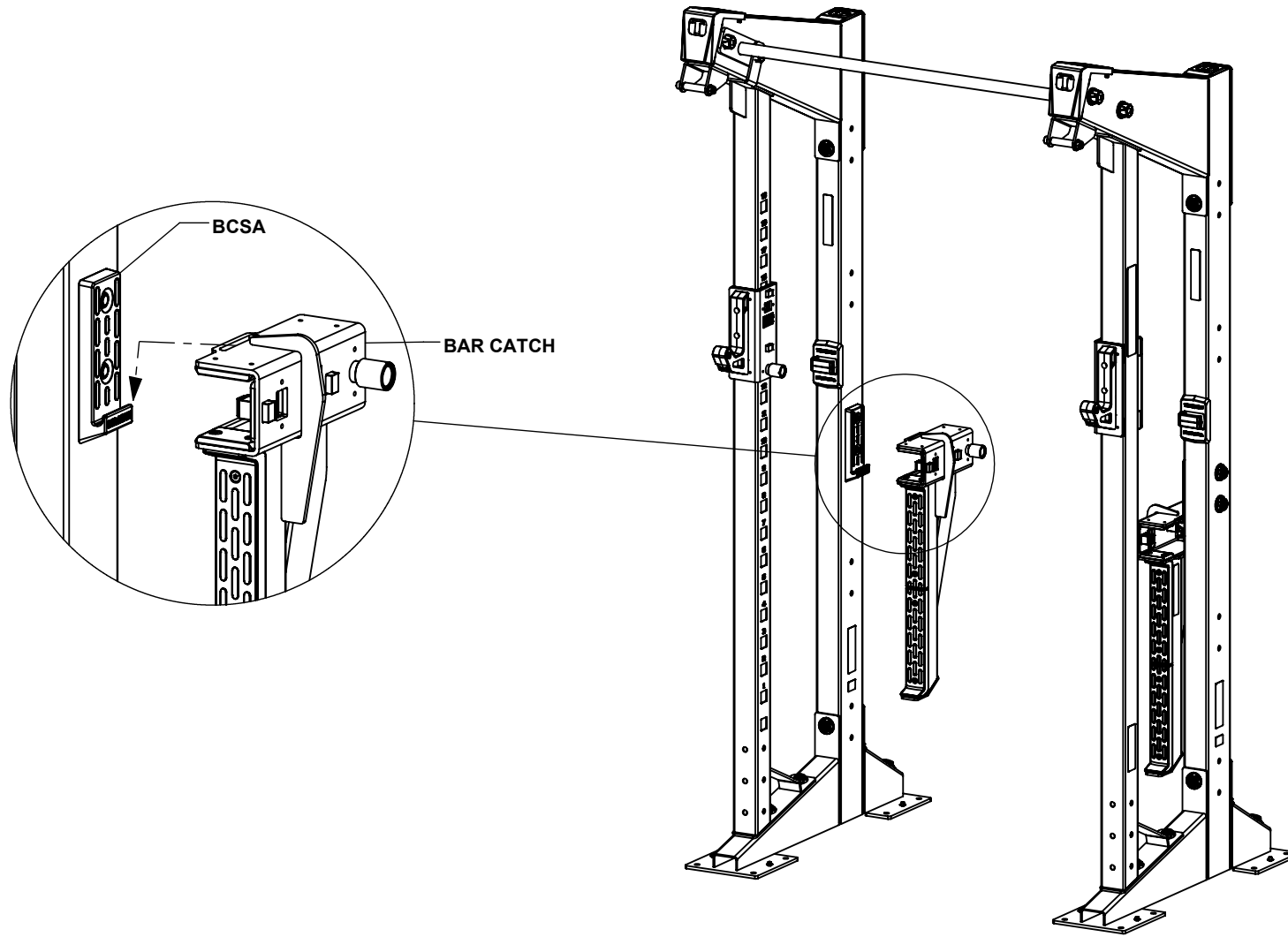


NOTES:

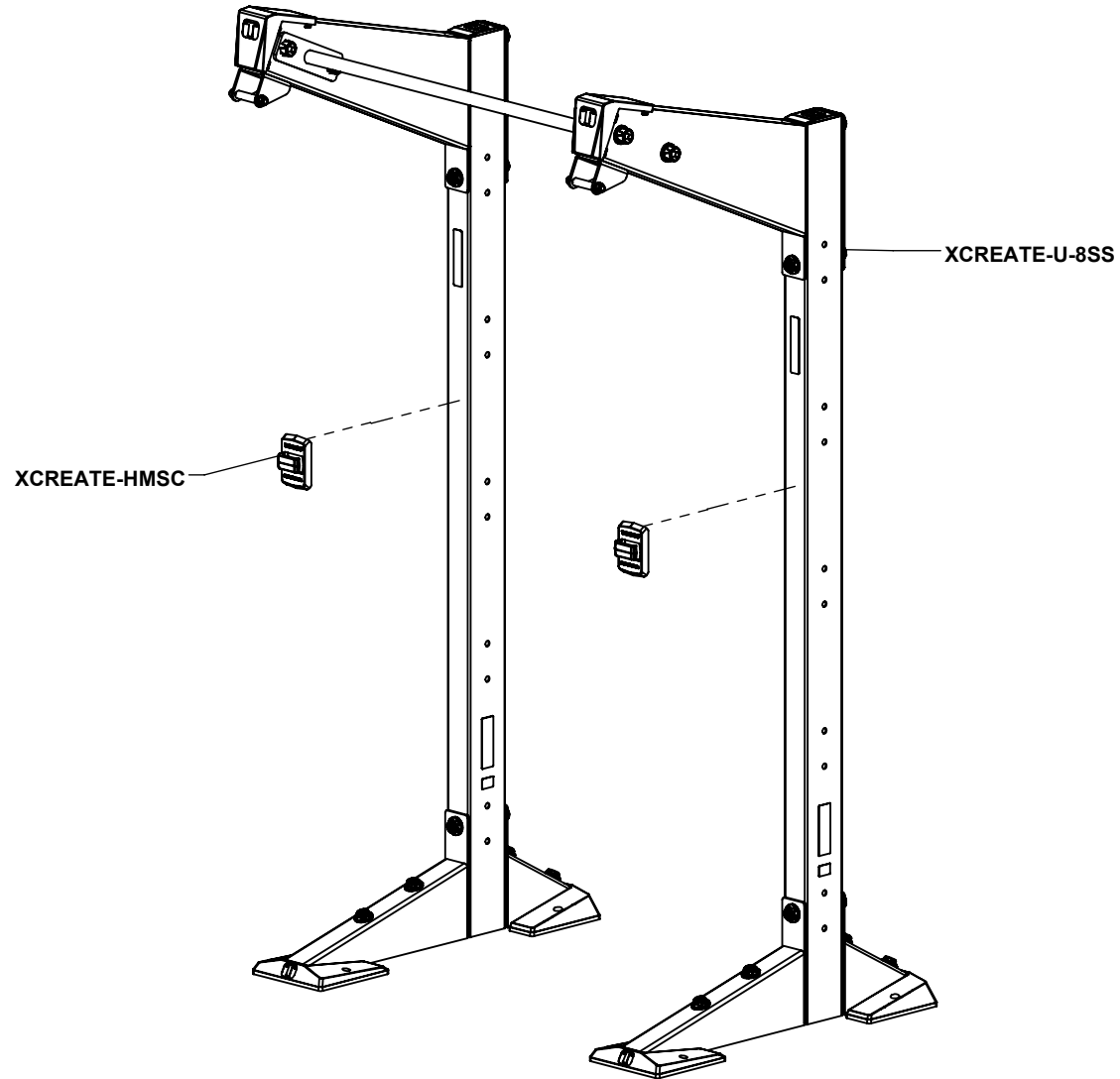
SECURELY tighten all bolt connections in this step.



**BCSA
BAR CATCH STORAGE ATTACHMENT**

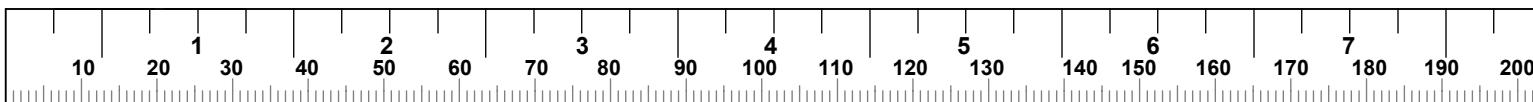


XCREATE-HMSC
MAGNETIC SUSPENSION CLIP

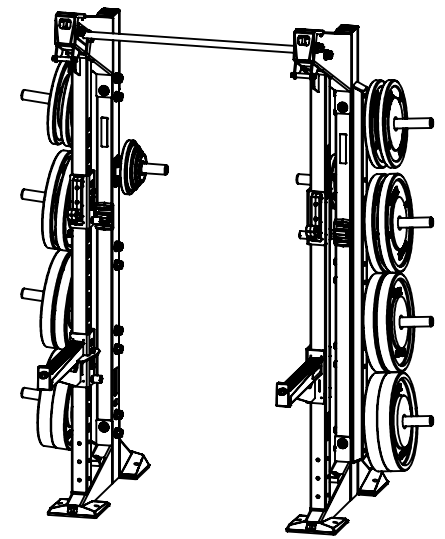
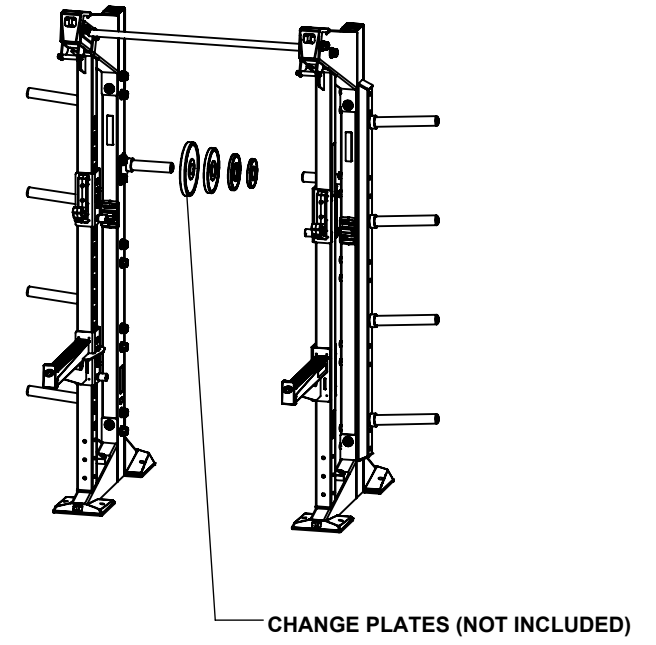
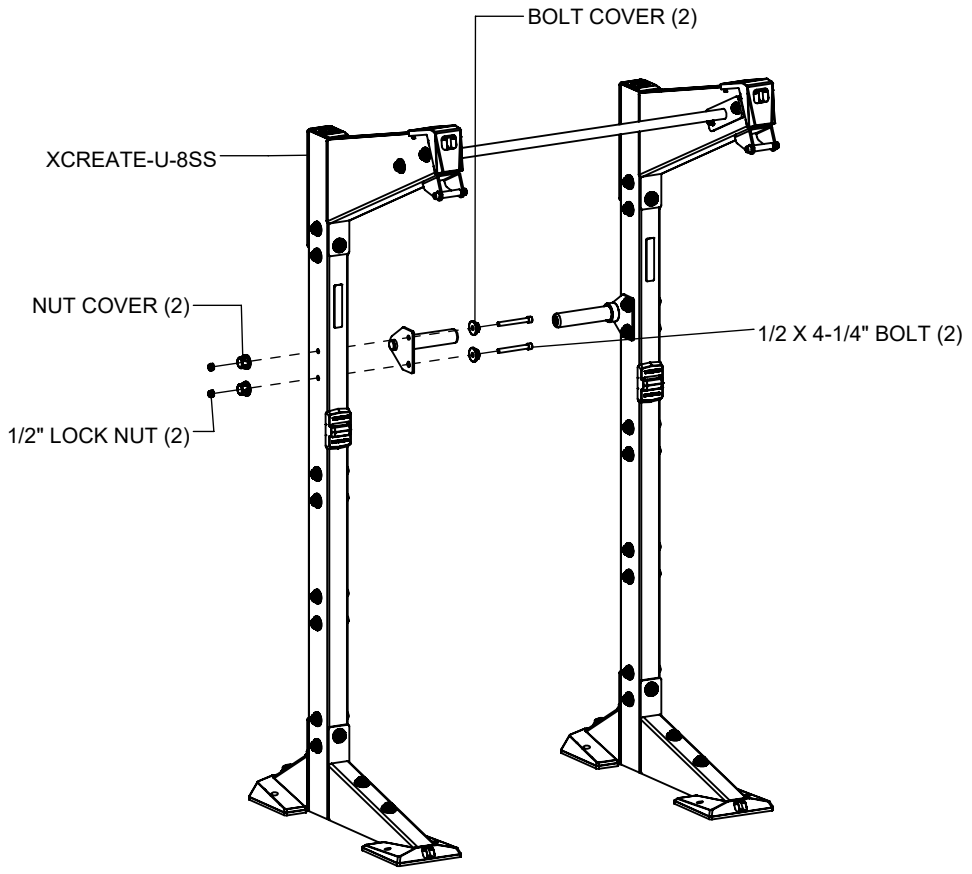


NOTES:

Suspension storage clip can be positioned to desired height.

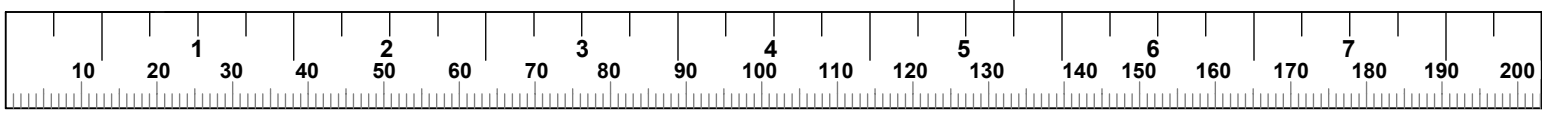


**CPWH
CHANGE PLATE WEIGHT HORN (QTY 2)**

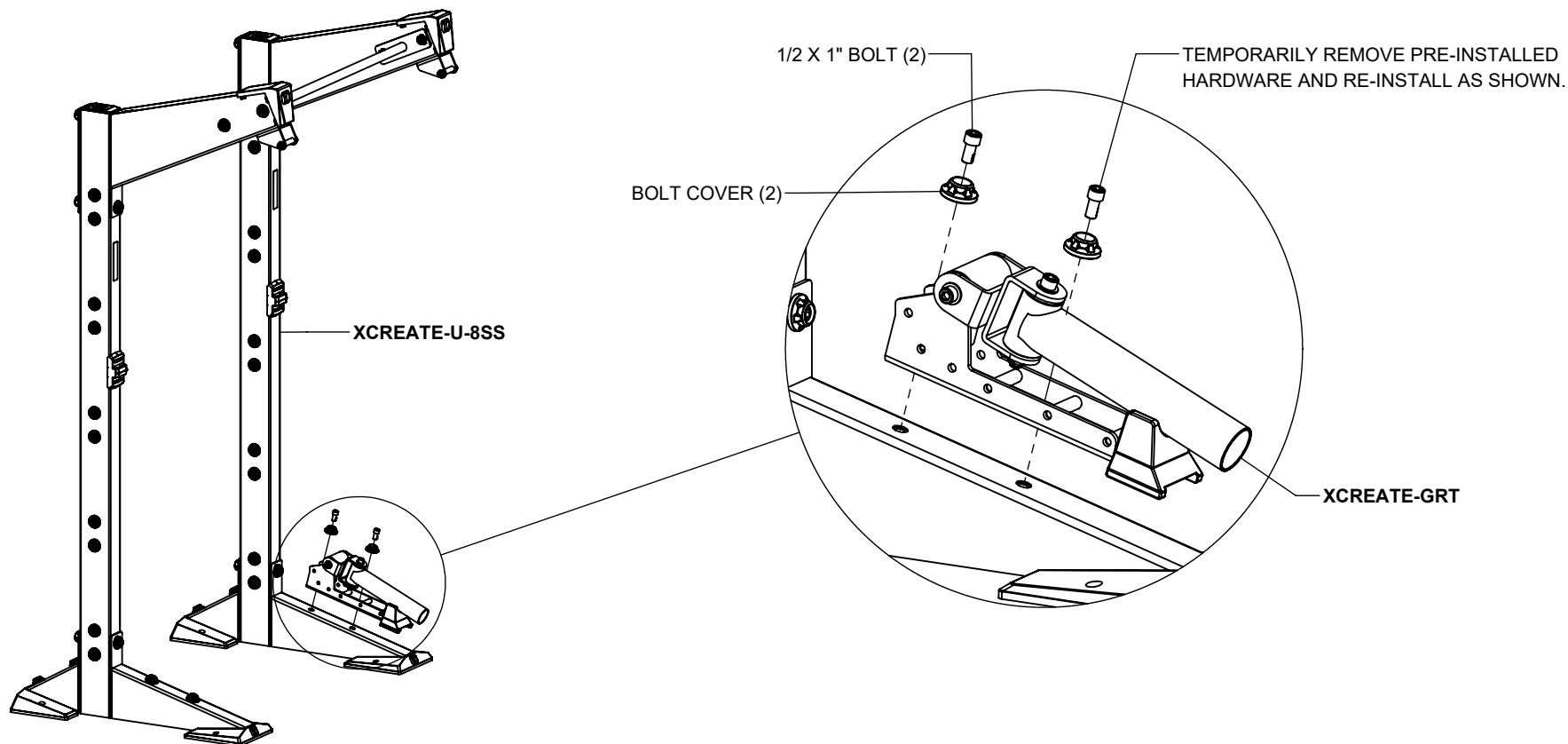


NOTES:

SECURELY tighten all bolt connections in this step.
 (*) **HARDWARE COVERS CAN** be used in place of washers in this step. **(SEE PAGE 3).**



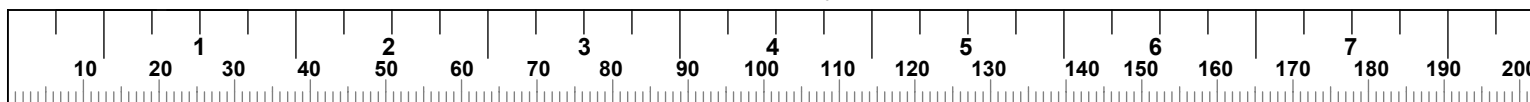
XCREATE-GRT / XCREATE-TP



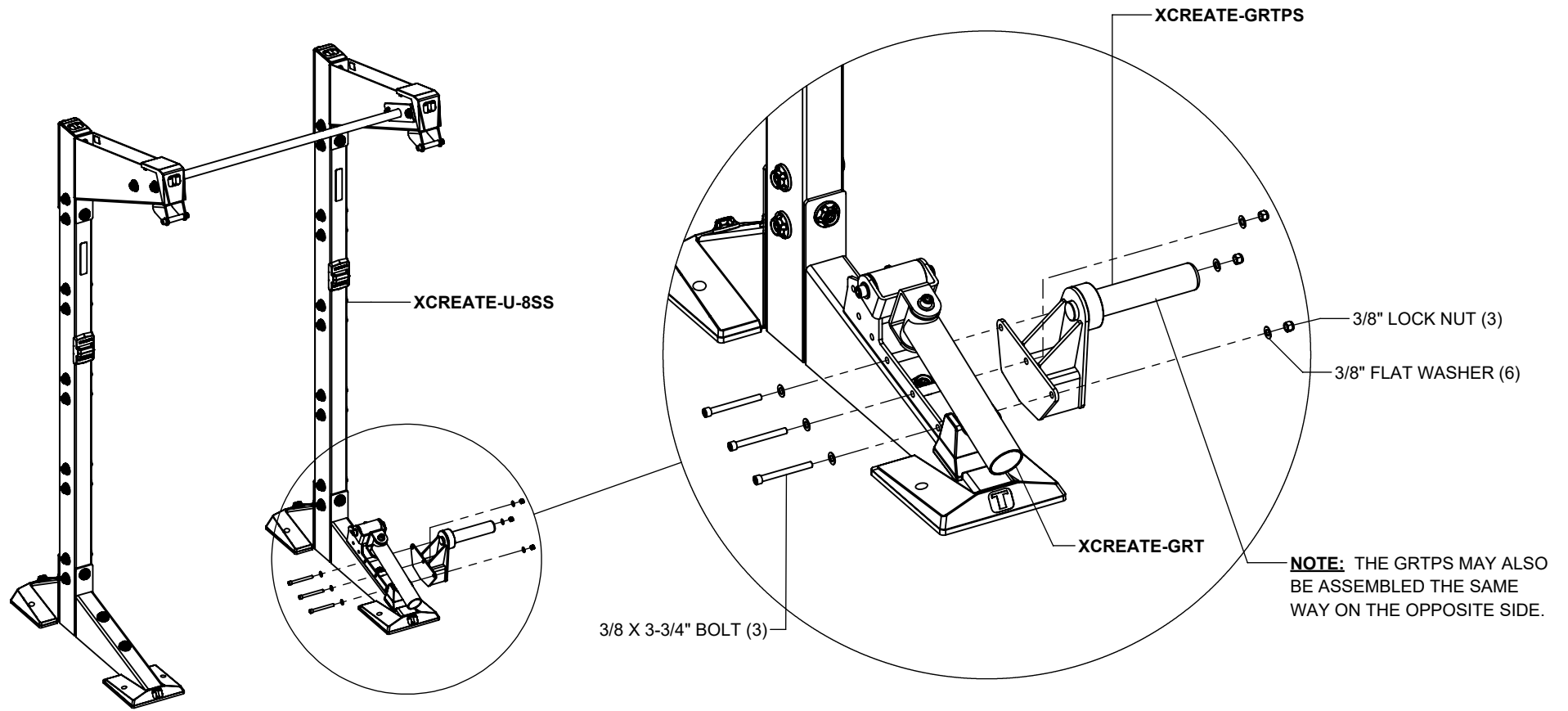
NOTES:

If more modules will be assembled, do not tighten bolts at this time.
If this is the only module being assembled, then **SECURELY** tighten all bolts in this step and previous steps.

The **XCREATE-U-7SS** is assembled the exact same way.

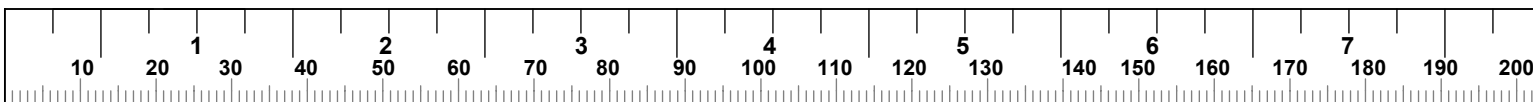


XCREATE-GRTPS / XCREATE-TP

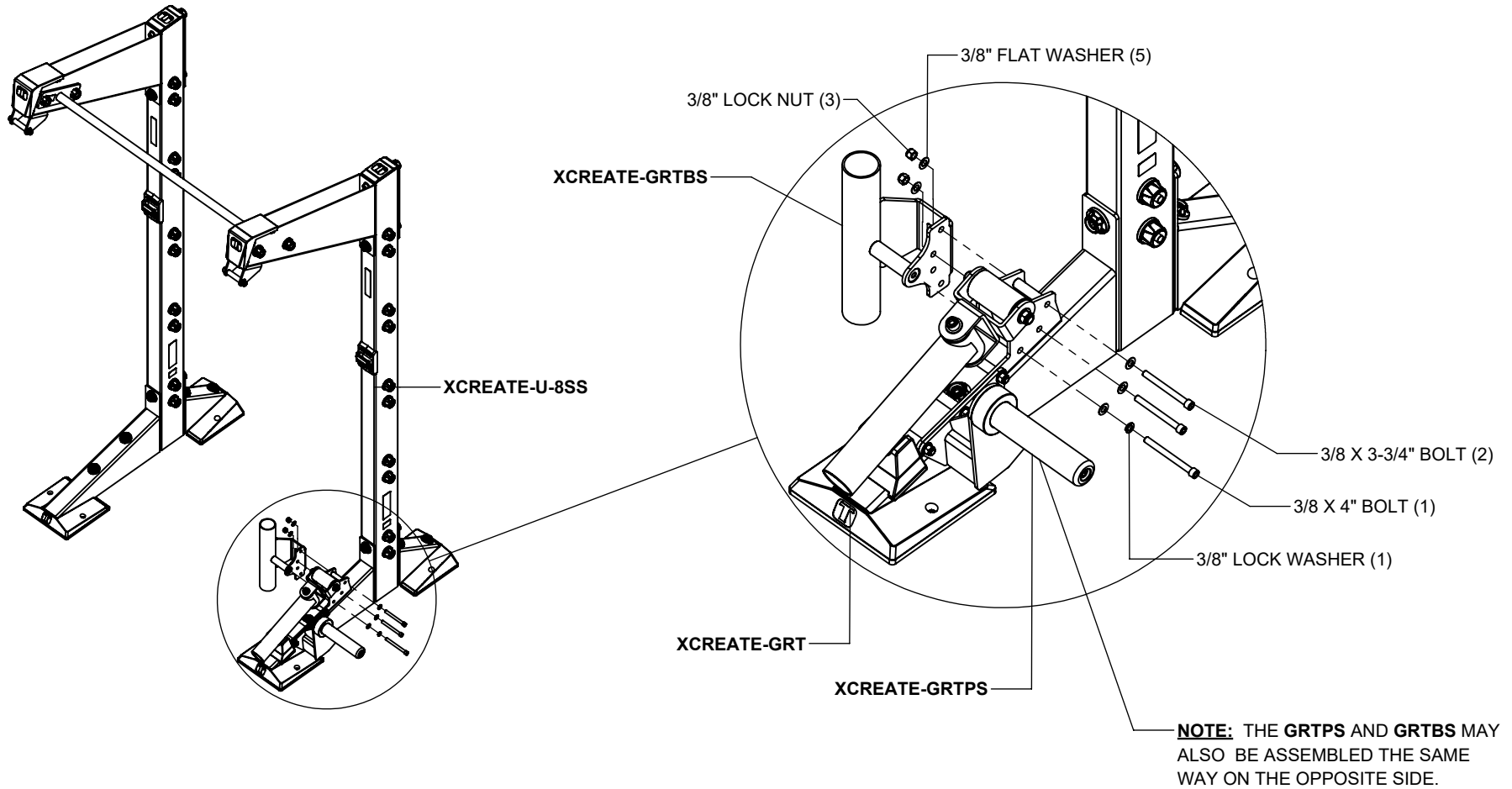


NOTES:

The XCREATE-U-7SS is assembled the exact same way.

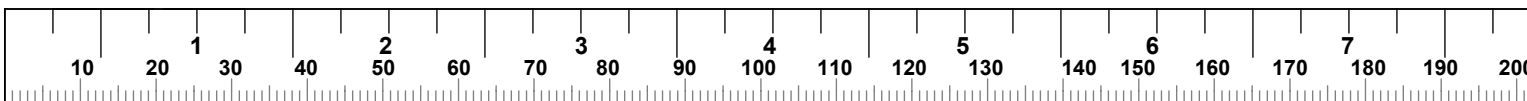


XCREATE-GRTBS / XCREATE-TP



NOTES:

The XCREATE-U-7SS is assembled the exact same way.



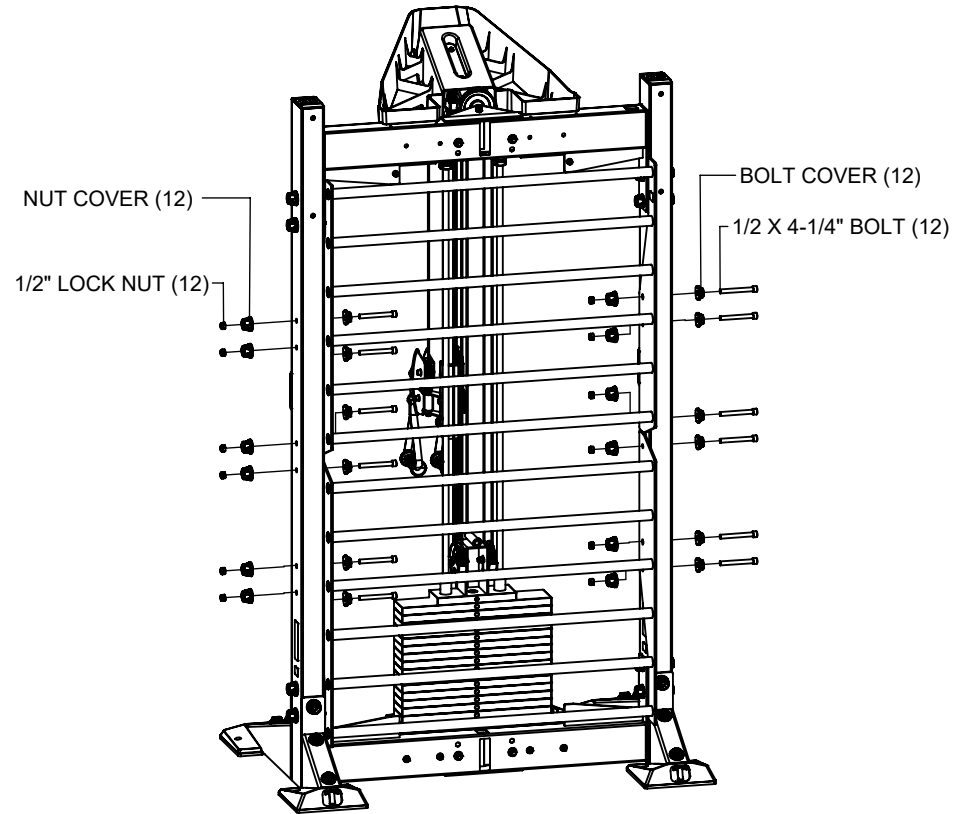
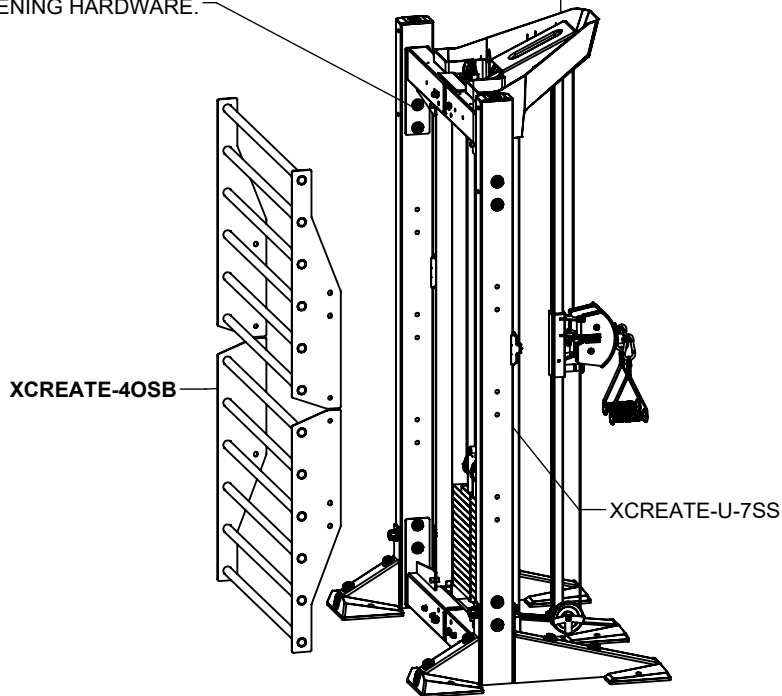
4' OFFSET STALL BAR

NOTE:

XCREATE-CC SHOWN, FOLLOW THE SAME STEPS FOR ASSEMBLING TO ANY CABLE MODULE.

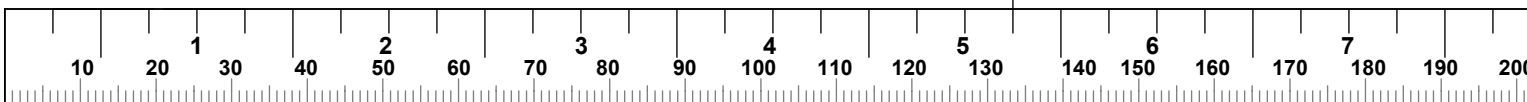
NOTE:

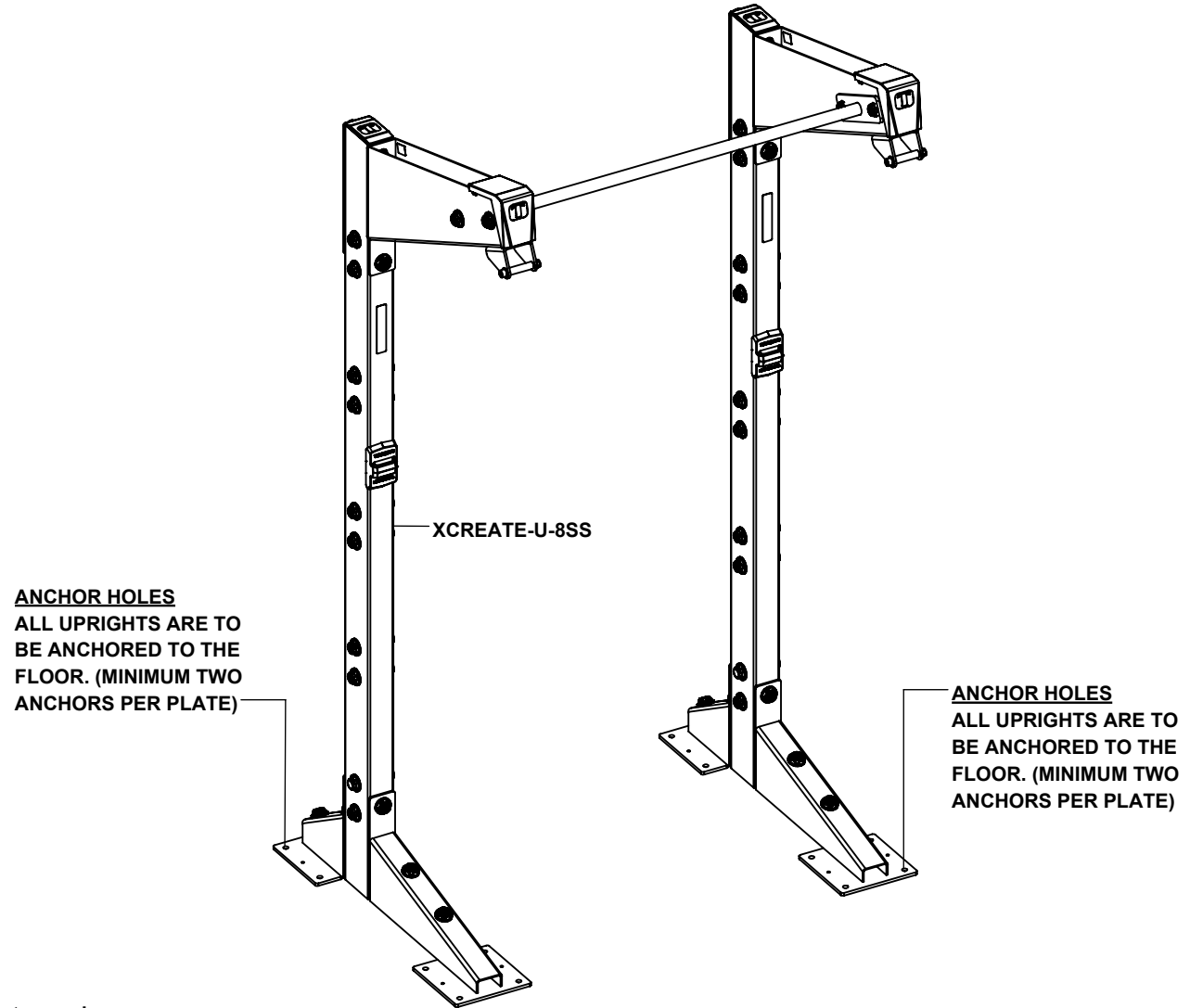
LOOSEN CROSSMEMBER HARDWARE IF ALREADY ASSEMBLED. IF ASSEMBLING THE CABLE STATION AT THE SAME TIME, FOLLOW THESE STEPS BEFORE FULLY TIGHTENING HARDWARE.



NOTES:

If more modules will be assembled, do not tighten bolts at this time. If this is the only module being assembled, then **SECURELY** tighten all bolts in this step and previous steps.





NOTES:

Make sure all bolts are **SECURELY** tightened.

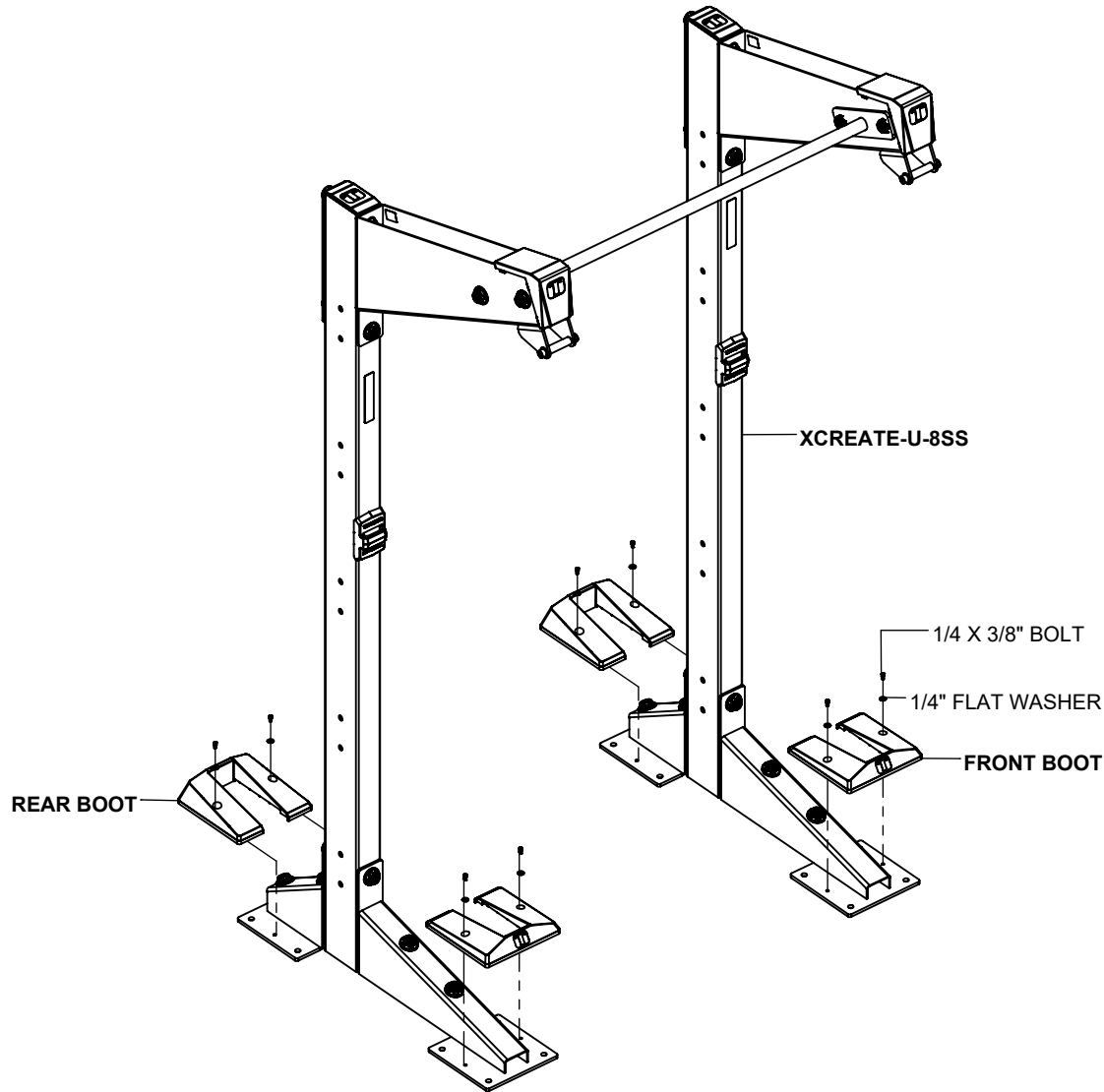
Position system to desired location in the room.

Anchor system to the floor referencing X-CREATE ANCHORING INSTRUCTIONS which can be downloaded at www.torquefitness.com/assembly-manuals

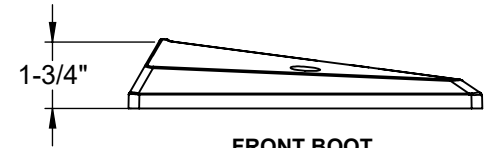
WARNING!

ALL X-CREATE ARE REQUIRED TO BE ANCHORED TO THE FLOOR TO PREVENT ROCKING OR TIPPING DURING USE.

XCREATE-URETHANE BOOTS



REAR BOOT



FRONT BOOT

NOTES:

The URETHANE BOOTS and hardware are packaged with the upright boxes

SECURELY tighten bolt connections in this step.

The **XCREATE-U-7SS** is assembled the exact same way.

Repeat this step for every upright.

