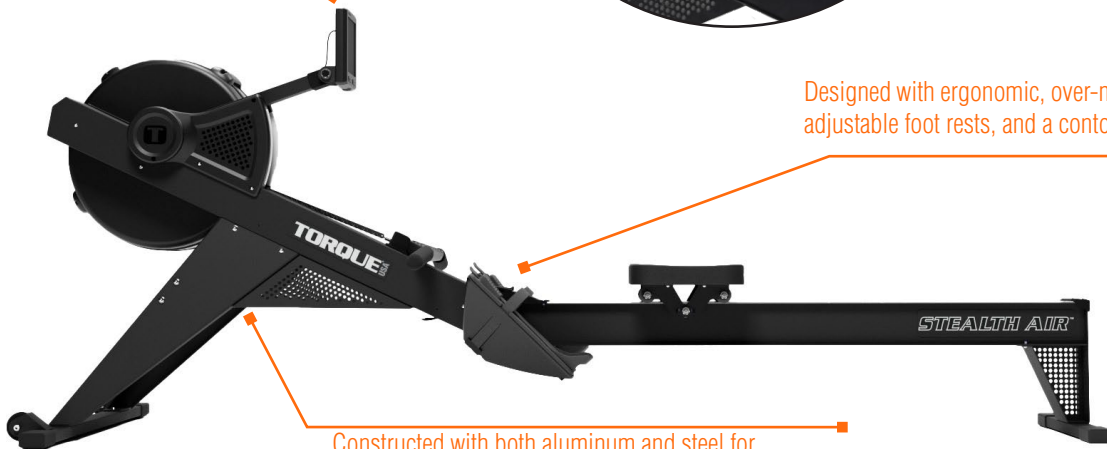


Comprehensive monitor features 5k, ANT+, and BLE connectivity, as well as a built-in generator for extended battery life



Lower starting resistance and greater maximum resistance than competitors

Designed with ergonomic, over-molded handles, adjustable foot rests, and a contoured seat



Constructed with both aluminum and steel for optimal durability while remaining lightweight

Model number	ROW-TSR
Dimensions - (L x W x H)	94.4" x 25.8" x 39.2" (239.8 cm x 65.6 cm x 99.6 cm)
Weight	71 lb (32.2 kg)

## TOP VIEW

