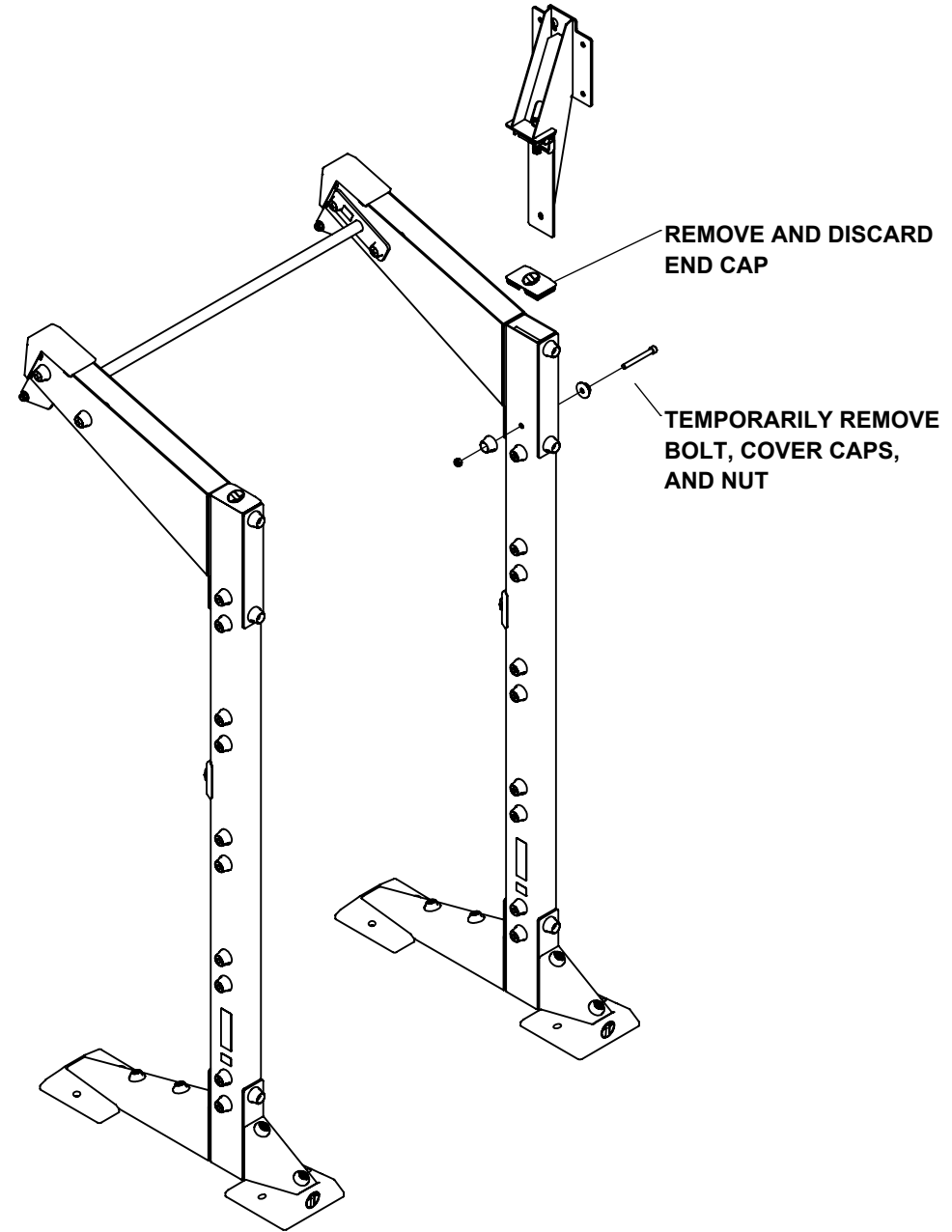
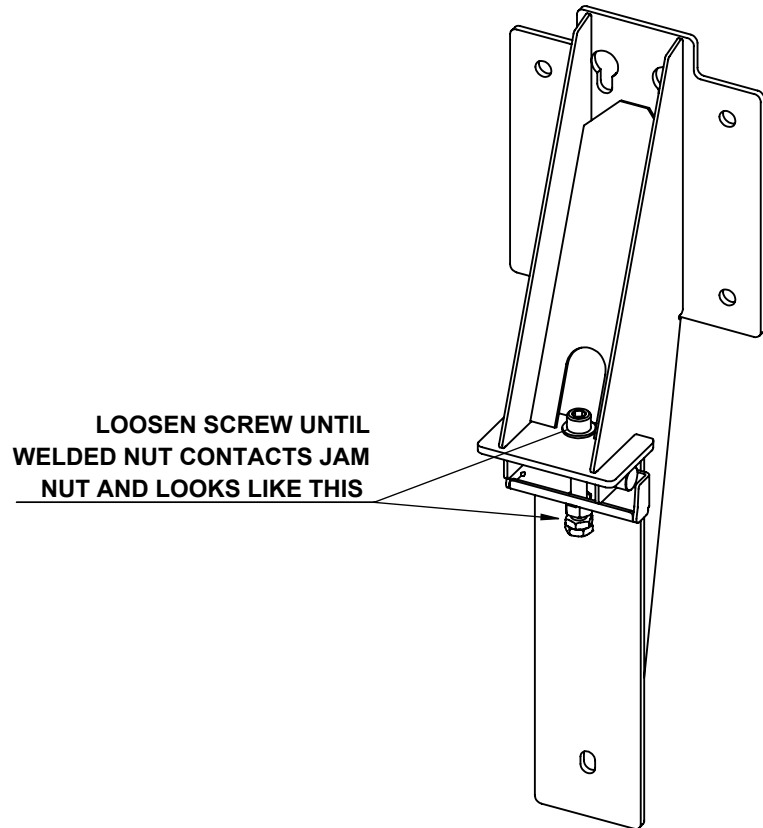


# X-CREATE SIDE ATTACHMENT MOUNT ASSEMBLY GUIDE

VERSION: XCREATE-SAM-101

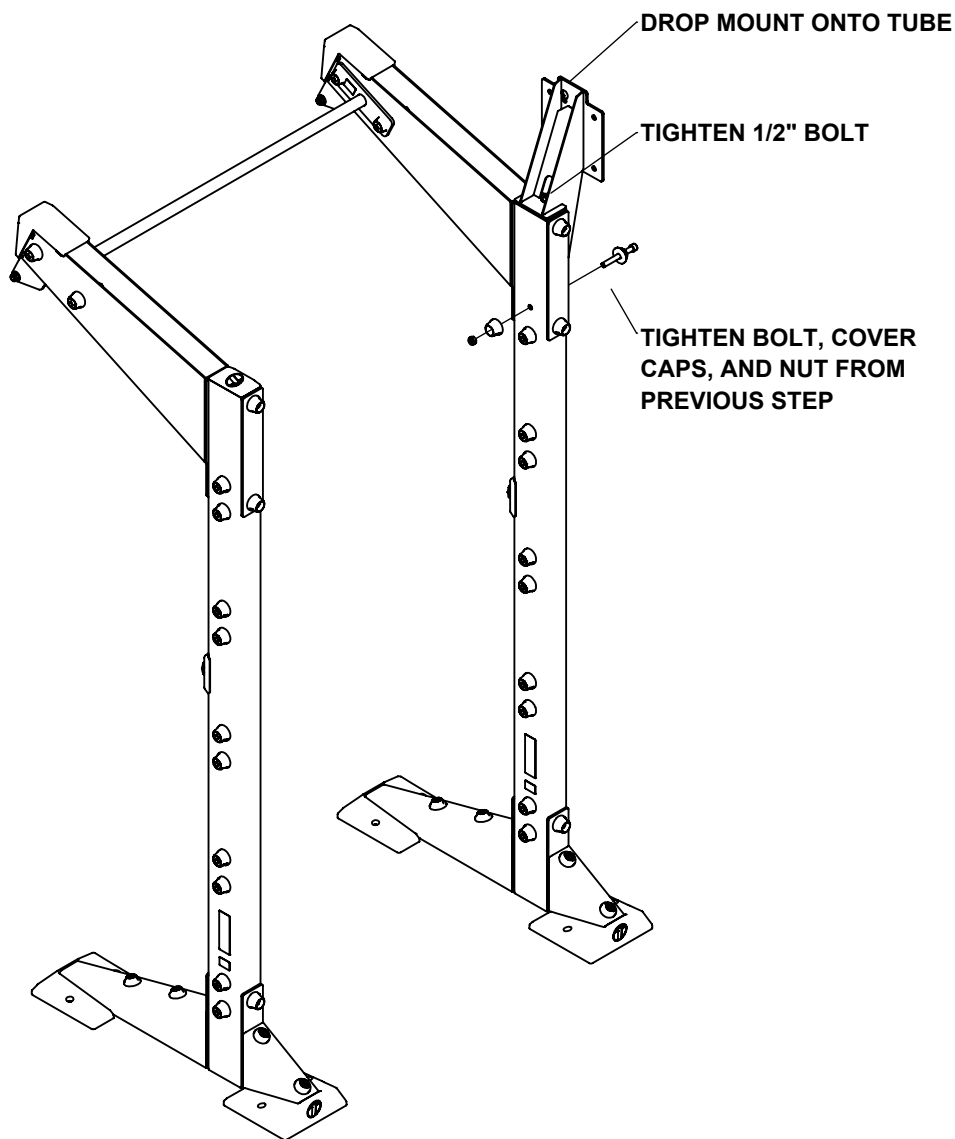
PART: 5869101-B



## NOTE:

For service contact: [service@torquefitness.com](mailto:service@torquefitness.com)  
763-754-7533 (8:30 am – 5:00 CST)

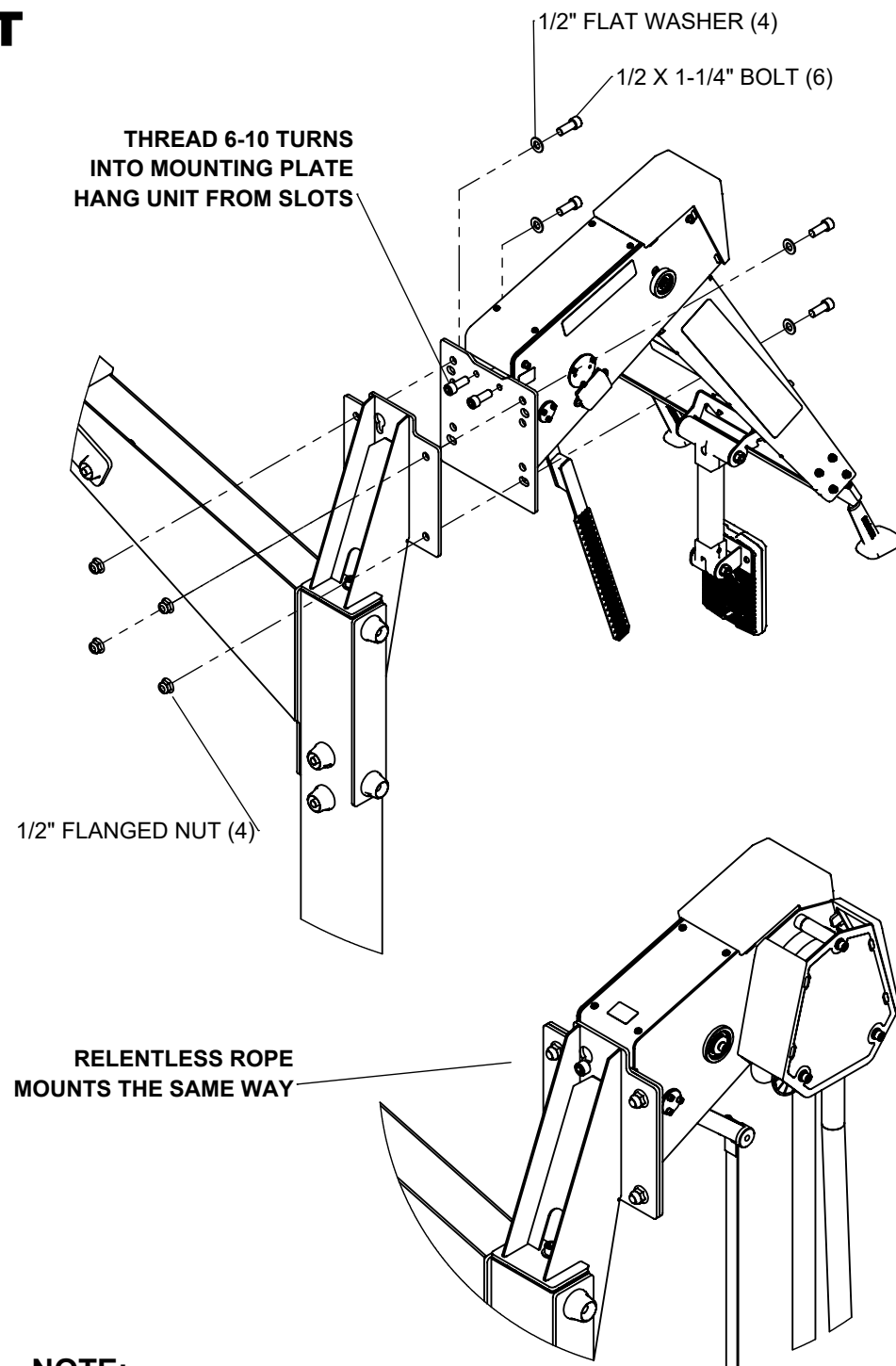
# X-CREATE SIDE ATTACHMENT MOUNT



## NOTE:

Securely tighten all bolt connections in this step.

For service contact: [service@torquefitness.com](mailto:service@torquefitness.com)  
763-754-7533 (8:30 am – 5:00 CST)

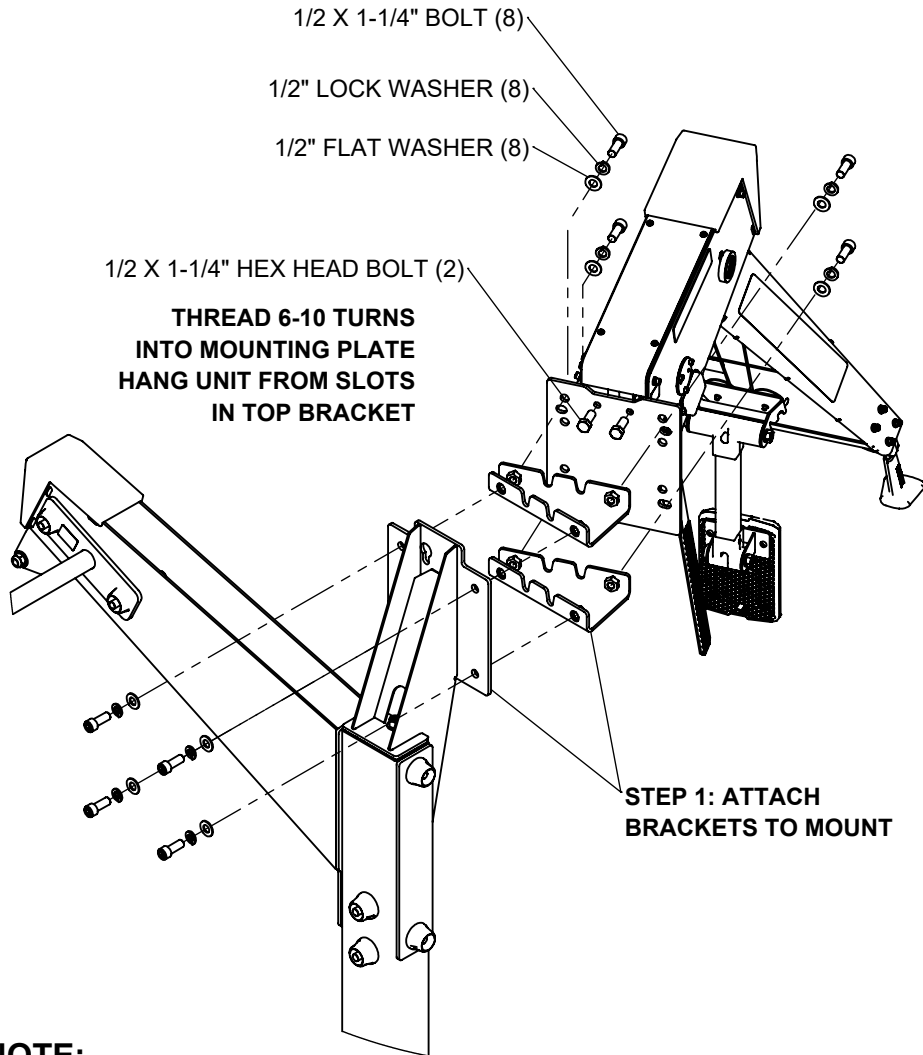


## NOTE:

Securely tighten all bolt connections in this step.

# X-CREATE SIDE ATTACHMENT MOUNT WITH OPTIONAL X-CREATE SINGLE UNIT WEDGE

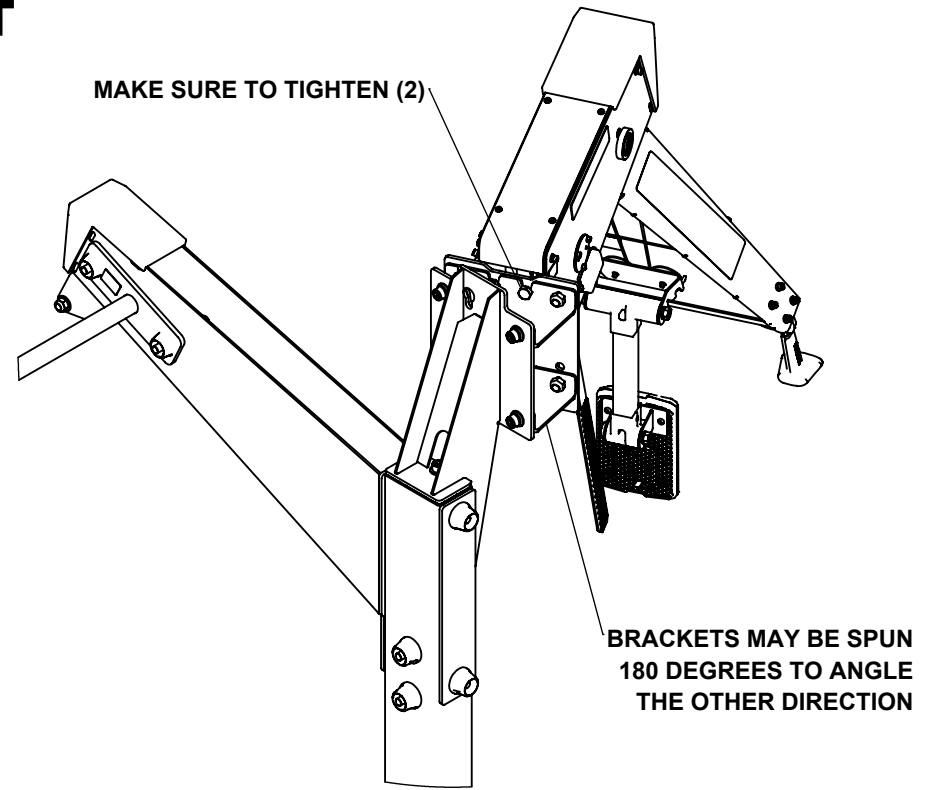
**OPTION SKU: XCREATE-SUW-101**



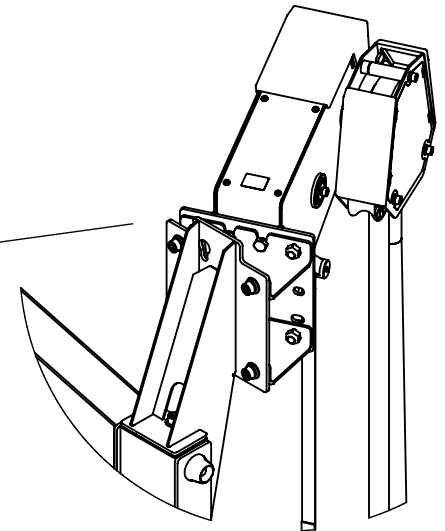
**NOTE:**

Securely tighten all bolt connections in this step.

For service contact: [service@torquefitness.com](mailto:service@torquefitness.com)  
763-754-7533 (8:30 am – 5:00 CST)



RELENTLESS ROPE MOUNTS THE SAME WAY



**NOTE:**

Securely tighten all bolt connections in this step.

# X-CREATE SIDE ATTACHMENT MOUNT WITH OPTIONAL X-CREATE DOUBLE UNIT WEDGE OPTION SKU: XCREATE-DUW-101

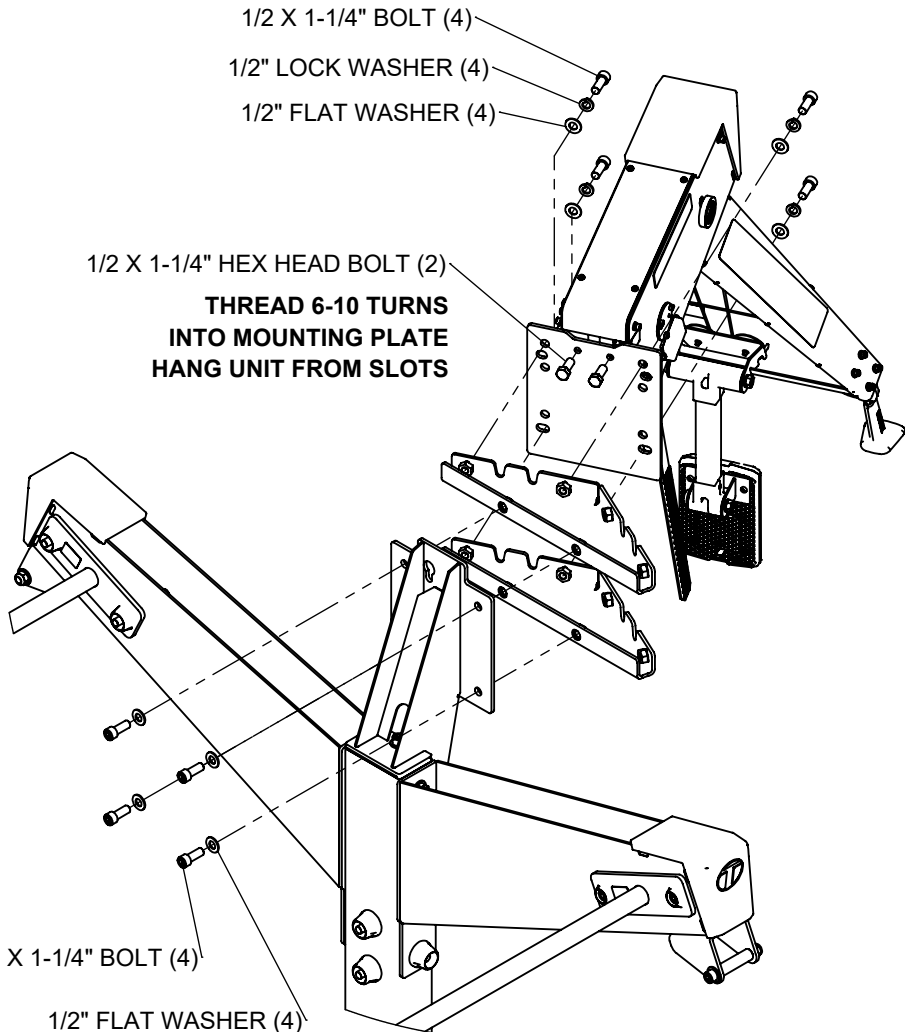
1/2 X 1-1/4" BOLT (4)

1/2" LOCK WASHER (4)

1/2" FLAT WASHER (4)

1/2 X 1-1/4" HEX HEAD BOLT (2)

THREAD 6-10 TURNS  
INTO MOUNTING PLATE  
HANG UNIT FROM SLOTS



1/2 X 1-1/4" BOLT (4)

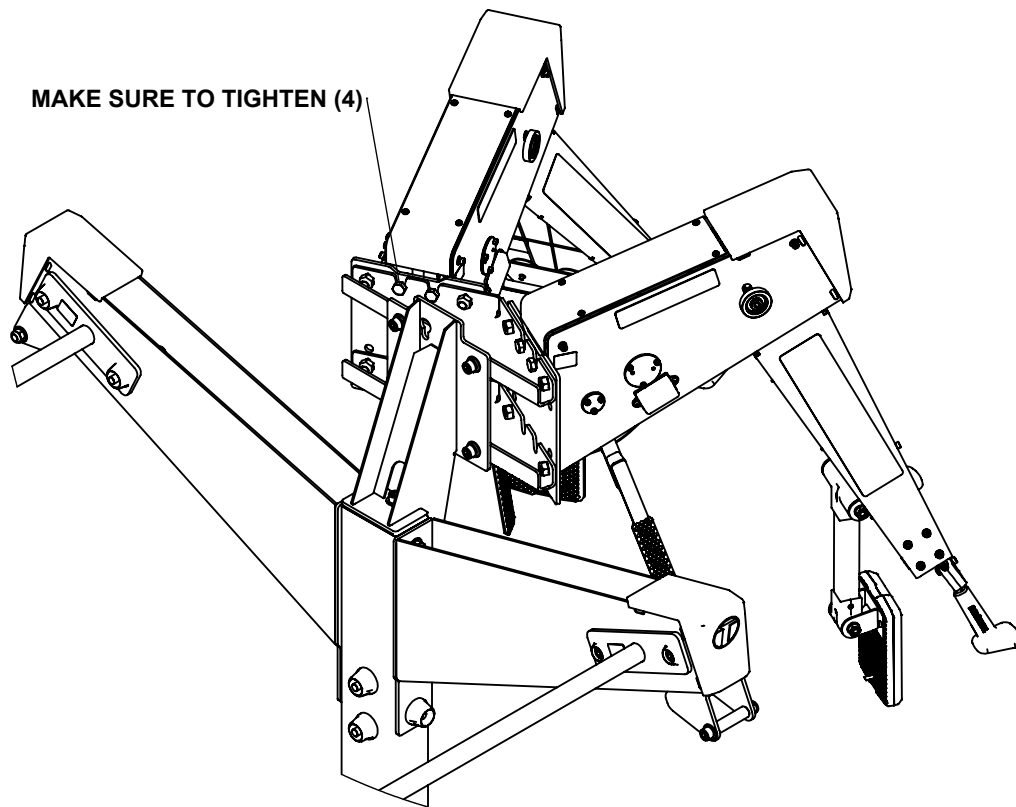
1/2" FLAT WASHER (4)

## NOTE:

Leave connections loose in this step.

For service contact: [service@torquefitness.com](mailto:service@torquefitness.com)  
763-754-7533 (8:30 am – 5:00 CST)

MAKE SURE TO TIGHTEN (4)



## NOTE:

**RELENTLESS ROPE** mounts the same way

**Securely** tighten all bolt connections **after** second unit is mounted.